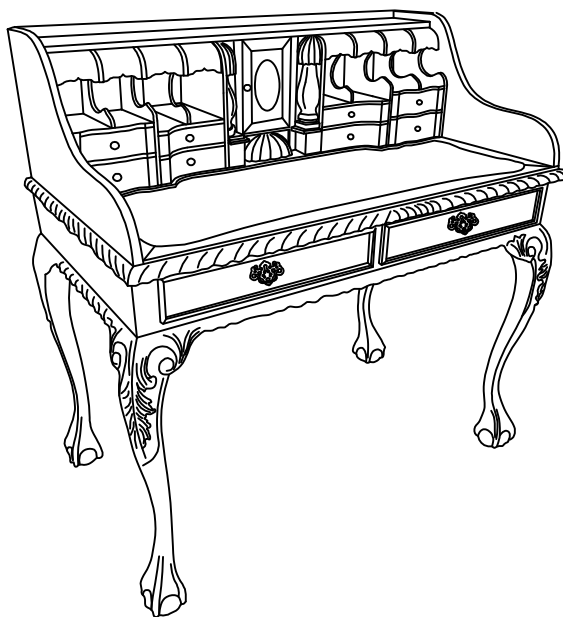

Thank you for buying our product

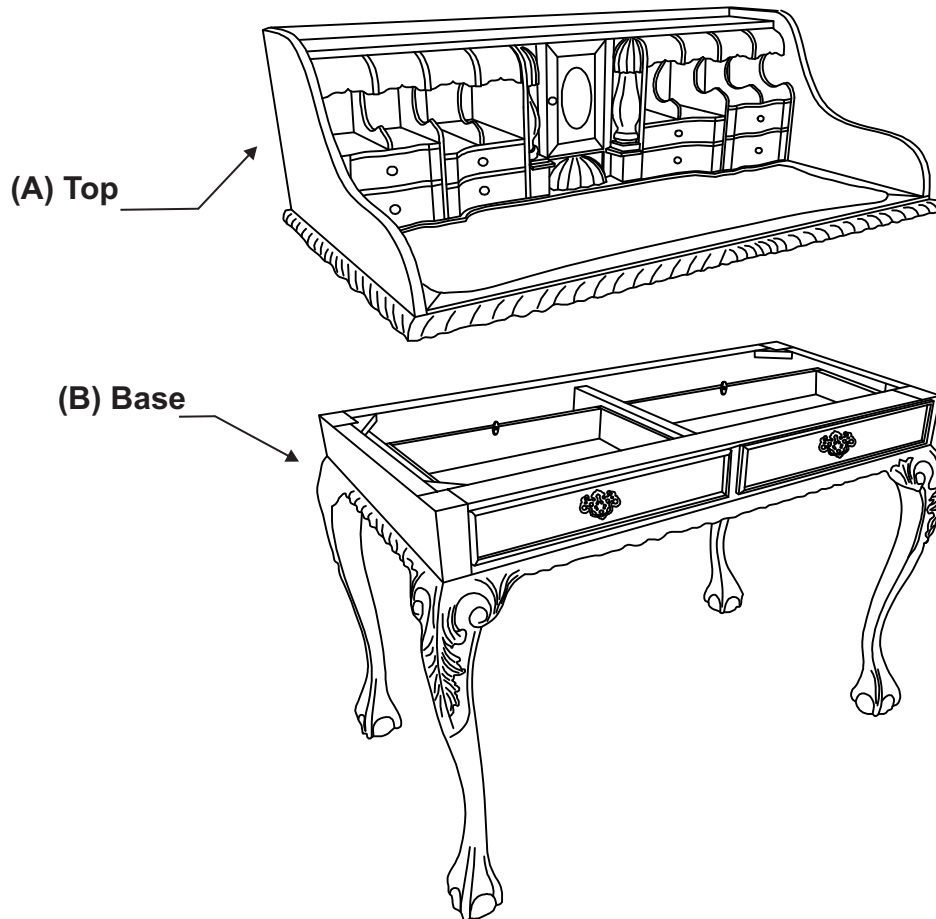



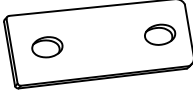
Step By Step Assembly Instructions

PRE-ASSEMBLY PREPARATION

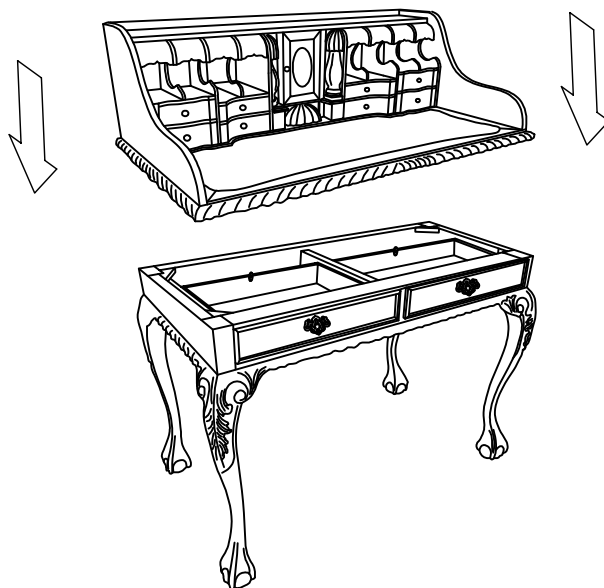
1. Please check the pack contents before attempting this product.
A full checklist of component is given in this leaflet. If any component are missing, please contact the retailer from whom you bought this product.
2. This product is **heavy**, it should be assembled as near as possible to the point of use.
TAKE CARE WITH LIFTING to avoid personal injury and (or) damage to the product.
3. This product takes approximately 5 minutes to assemble with 2 people.
4. The fitting pack contains **small items** which should be :
KEPT AWAY FROM YOUNG CHILDREN.
5. Read this leaflet in full before commencing assembly.
6. You will require a crosshead screwdriver (provided) to assemble this product.
7. **WE RECOMMEND** that you lay a protective cloth on your carpet during assembly, **to prevent marking.**

Escritoire Desk (W004) Assembly Instruction

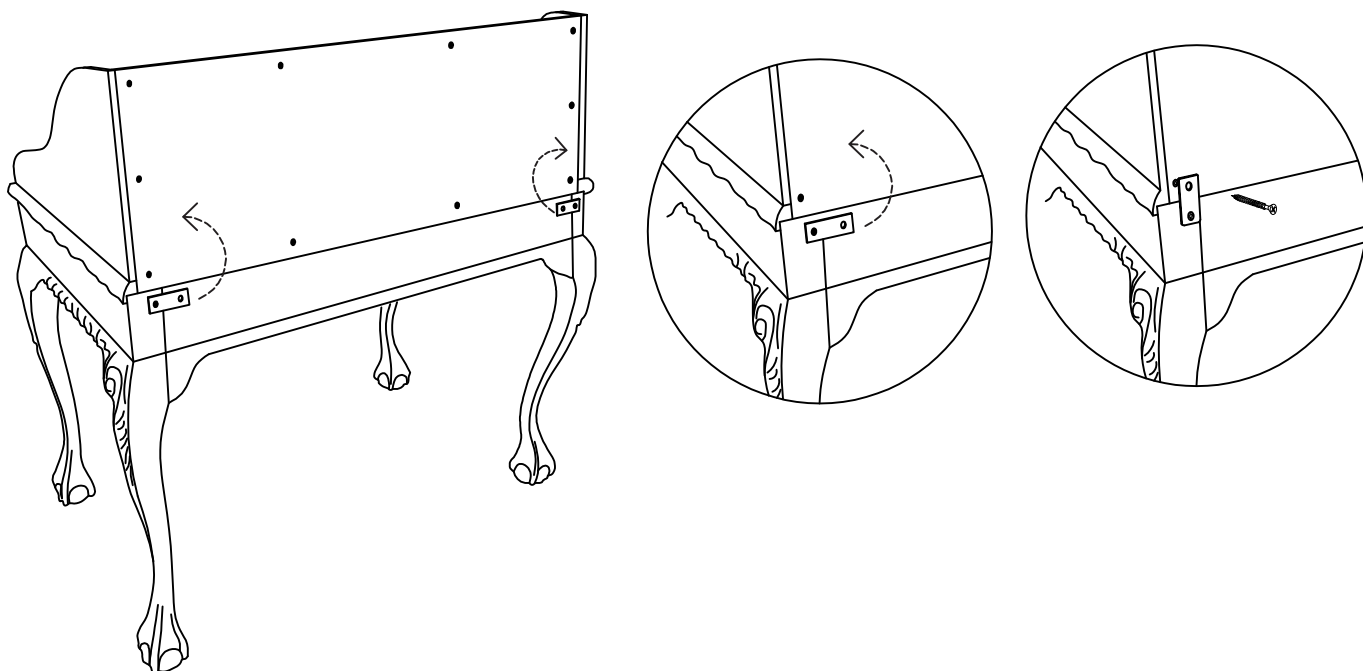


HARDWARE			
Screw	Ø 8 x 3/4"	(2 pcs)	
Brackets		(2 pcs)	

Step 1. Top & Base unit Assembly



A. Left turn for the cleat on the back panel (Please see the picture)



B. Fixed the cleat with screws . (Please see the picture)