

---

*Thank you for buying our product*



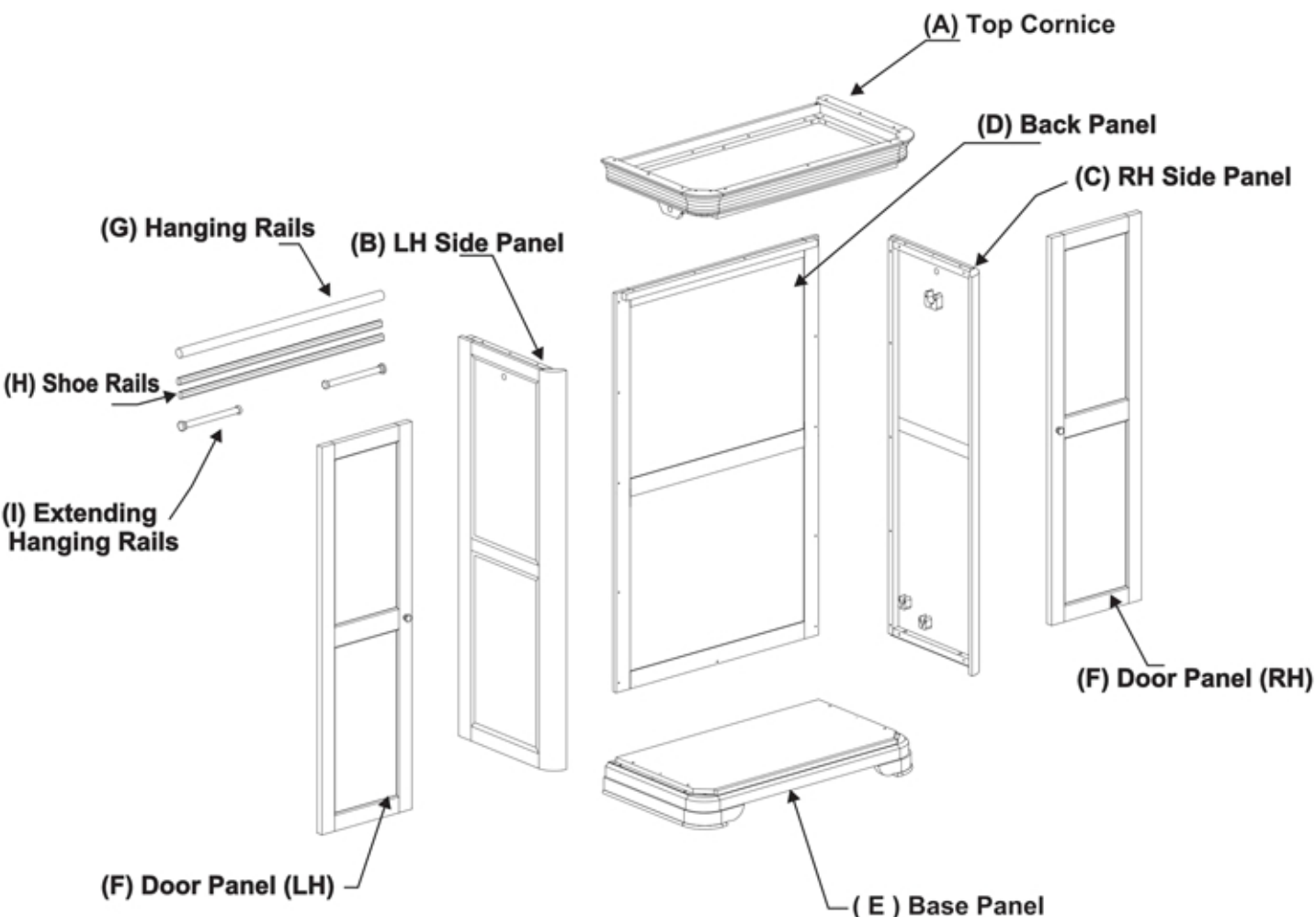
---

## Step By Step Assembly Instructions

---



### PRE-ASSEMBLY PREPARATION

1. Please check the pack contents before attempting this product.  
A full checklist of component is given in this leaflet. If any component are missing, please contact the retailer from whom you bought this product.
2. This product is **heavy**, it should be assembled as near as possible to the point of use.  
**TAKE CARE WITH LIFTING** to avoid personal injury and (or) damage to the product.
3. This product takes approximately 5 minutes to assemble with 2 people.
4. The fitting pack contains **small items** which should be :  
**KEPT AWAY FROM YOUNG CHILDREN.**
5. Read this leaflet in full before commencing assembly.
6. You will require a crosshead screwdriver and Allen key (provided) to assemble this product.
7. **WE RECOMMEND** that you lay a protective cloth on your carpet during assembly, **to prevent marking.**



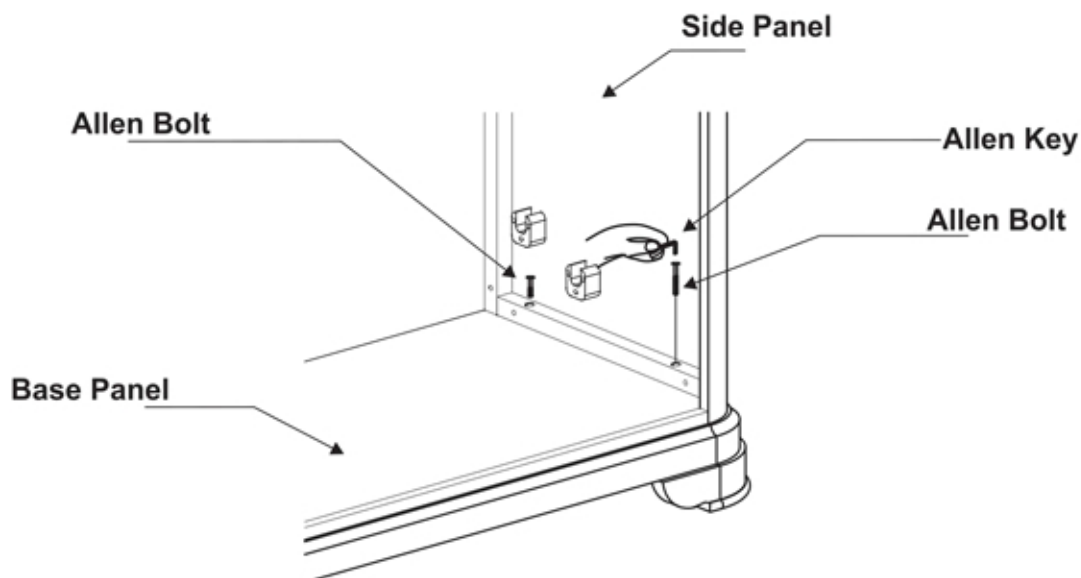
### Panel and Fitting Identification

Item	Description	Qty
A	Top Cornice	1
B	LH Side Panel	1
C	RH Side Panel	1
D	Back Panel	1
E	Base Panel	1
F	Door Panel (LH & RH)	2
G	Hanging Rails	1

Item	Description	Qty
H	Shoe Rails	2
I	Extending Hanging Rails	2
J	Allen Bolt	4
		
K	Screw	12
		
L	Allen Key	1

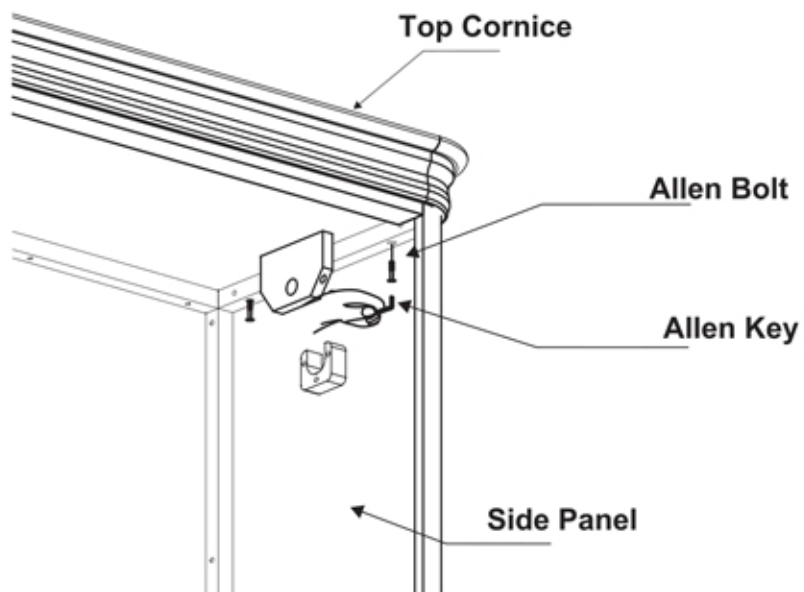
## Step 1. Side Panel & Base Panel Assembly

Fitting Allen Bolt M6 x 50 mm



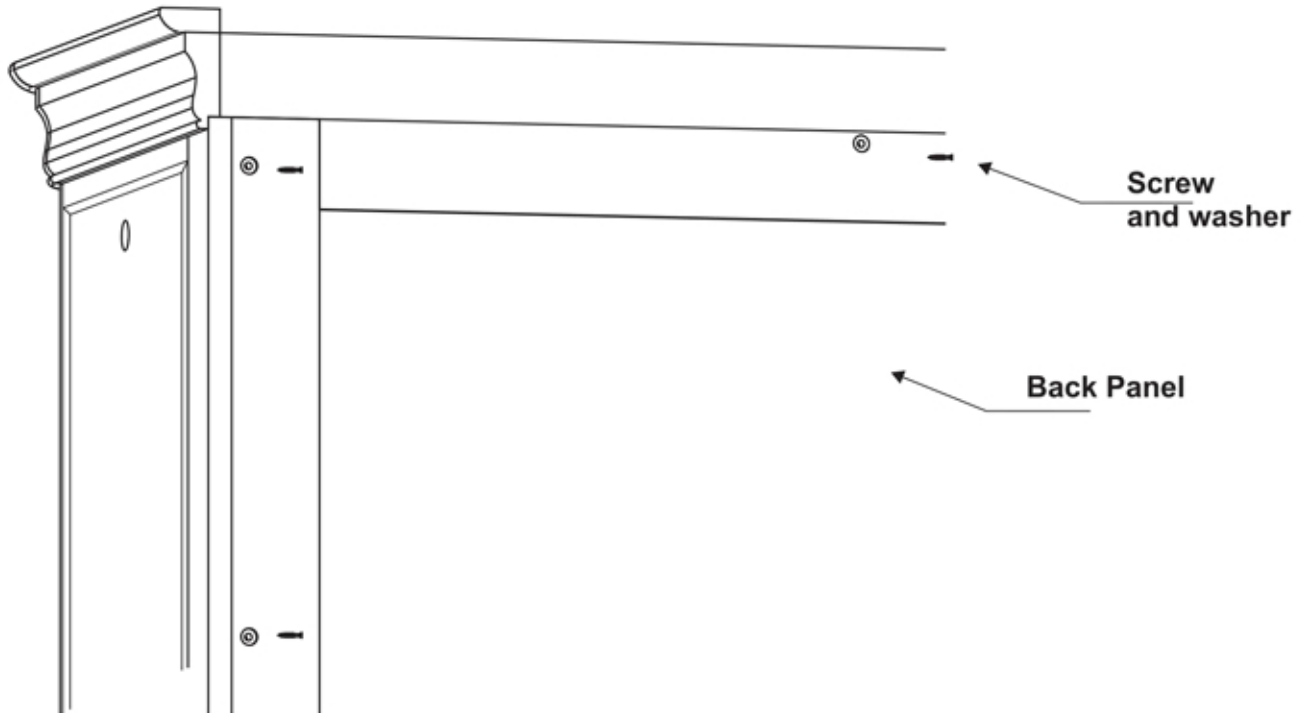
## 2. Top Cornice Assembly

Fitting Allen Bolt M6 x 50 mm



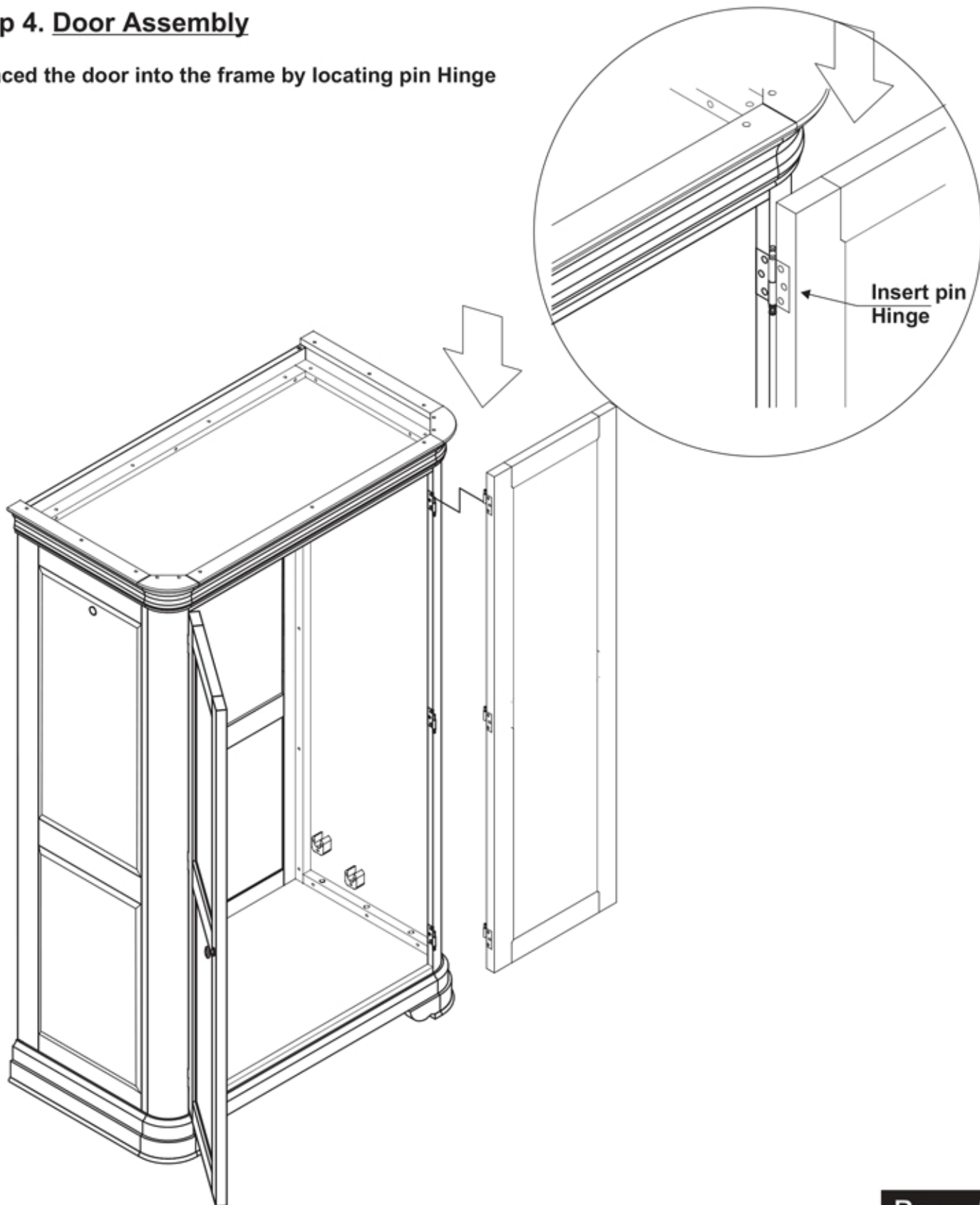
### 3. Back Panel Assembly

Fitting screw

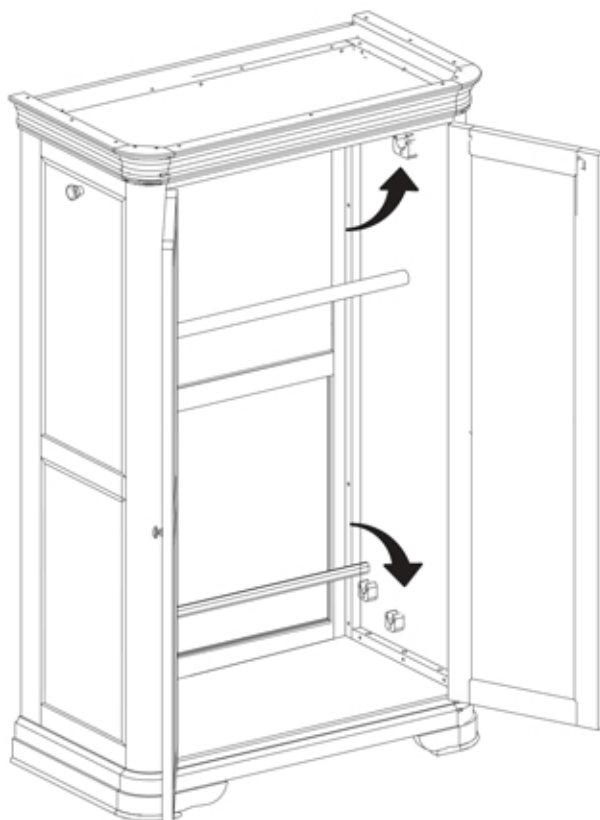


**Step 4. Door Assembly**

Attaced the door into the frame by locating pin Hinge



- Step 5. - Locate the Hanging Rails ( I ) into the support**  
**- Locate the shoe Rails ( J ) into the support**



- Step 6. - Remove stopper screw from the extending hanging rail (see #1)**  
**- Insert extending hanging rail on to the hole of side panel (see #2)**  
**- Attach stopper to extending hanging rail using screw (see #3)**

