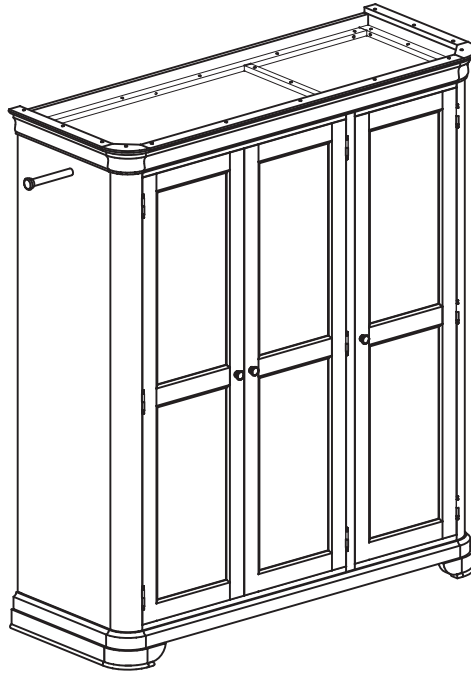


Seville 3 Door Wardrobe KD (S B10) Assembly Instruction

Thank you for buying our product

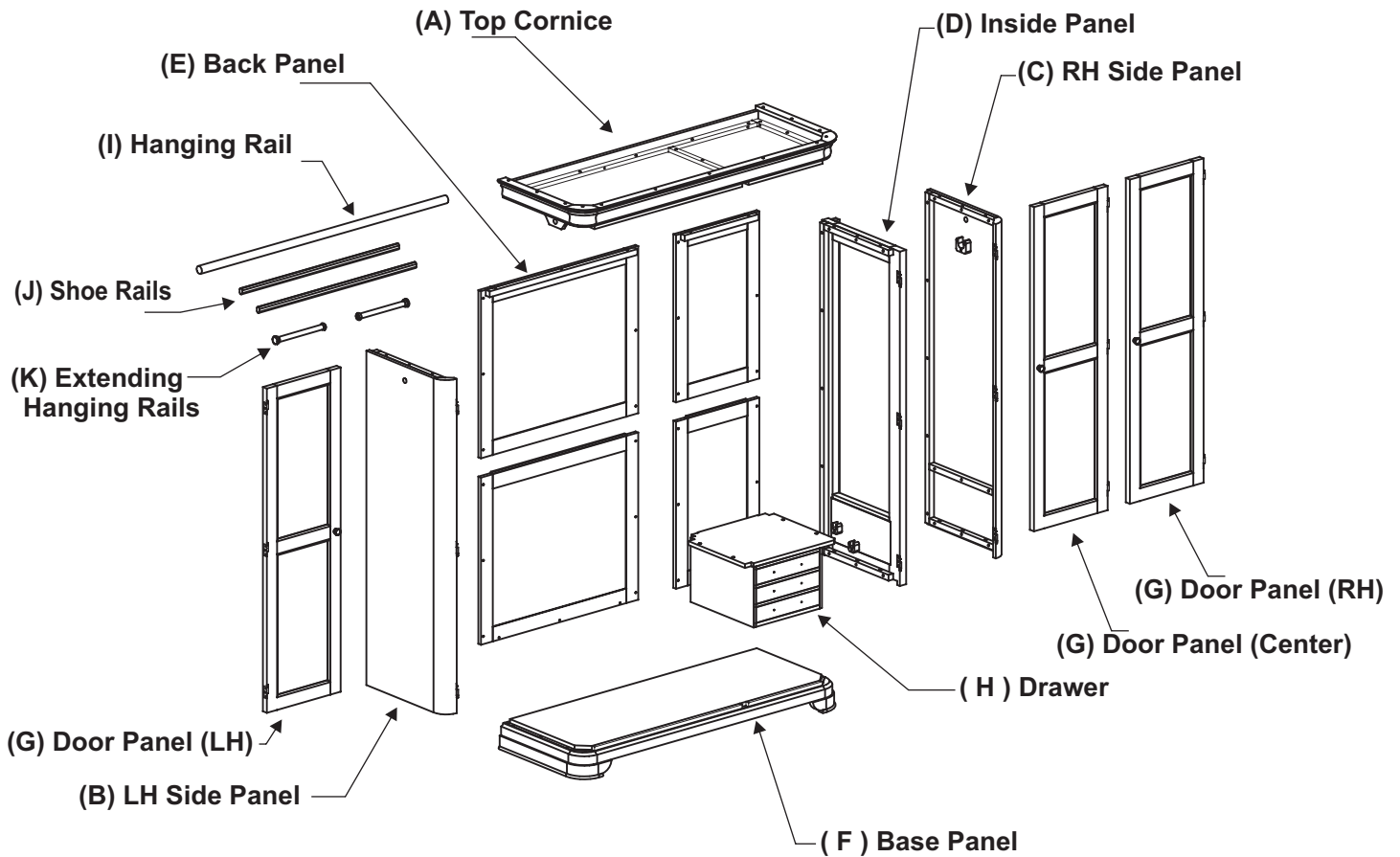


Step By Step Assembly Instructions

PRE-ASSEMBLY PREPARATION

1. Please check the pack contents before attempting this product.
A full checklist of component is given in this leaflet. If any component are missing, please contact the retailer from whom you bought this product.
2. This product is **heavy**, it should be assembled as near as possible to the point of use.
TAKE CARE WITH LIFTING to avoid personal injury and (or) damage to the product.
3. This product takes approximately 30 minutes to assemble with 2 people.
4. The fitting pack contains **small items** which should be :
KEPT AWAY FROM YOUNG CHILDREN.
5. Read this leaflet in full before commencing assembly.
6. You will require a crosshead screwdriver and Allen key (provided) to assemble this product.
7. **WE RECOMMEND** that you lay a protective cloth on your carpet during assembly, **to prevent marking.**

Seville 3 Door Wardrobe KD (S B10) Assembly Instruction



Panel and Fitting Identification

| Item | Description | Qty |
|------|------------------------------|-----|
| A | Top Cornice | 1 |
| B | LH Side Panel | 1 |
| C | RH Side Panel | 1 |
| D | Inside Panel | 1 |
| E | Back Panel | 4 |
| F | Base Panel | 1 |
| G | Door Panel (LH, RH & Center) | 3 |
| H | Drawer | 1 |

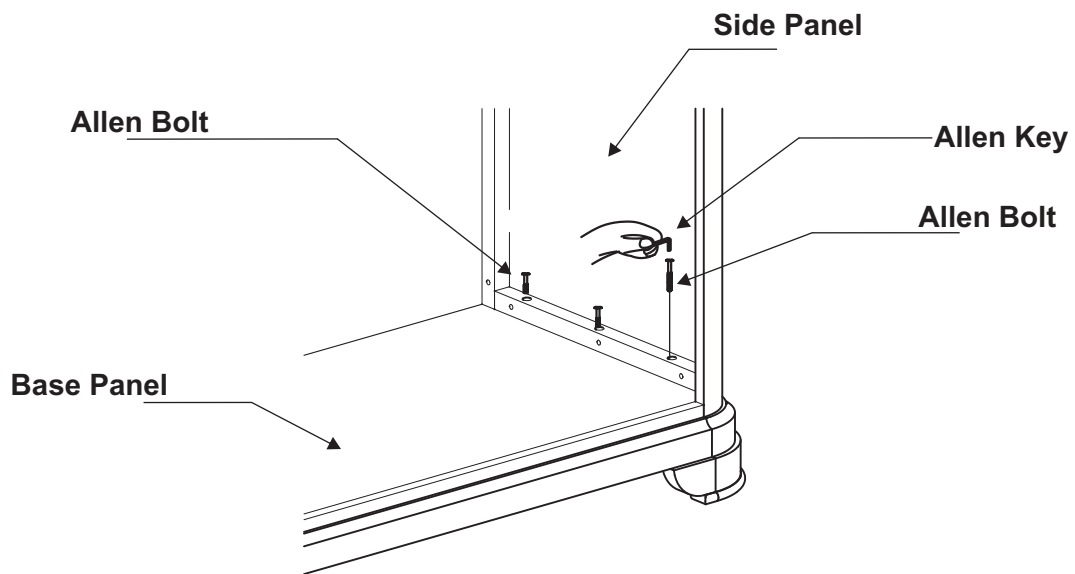
| Item | Description | Qty |
|------|-------------------------|-----|
| I | Hanging Rail | 1 |
| J | Shoe Rails | 2 |
| K | Extending Hanging Rails | 2 |
| L | Allen Bolt | 20 |
| M | Screw | 25 |
| N | Allen Key | 1 |



Seville 3 Door Wardrobe KD (S B10) Assembly Instruction

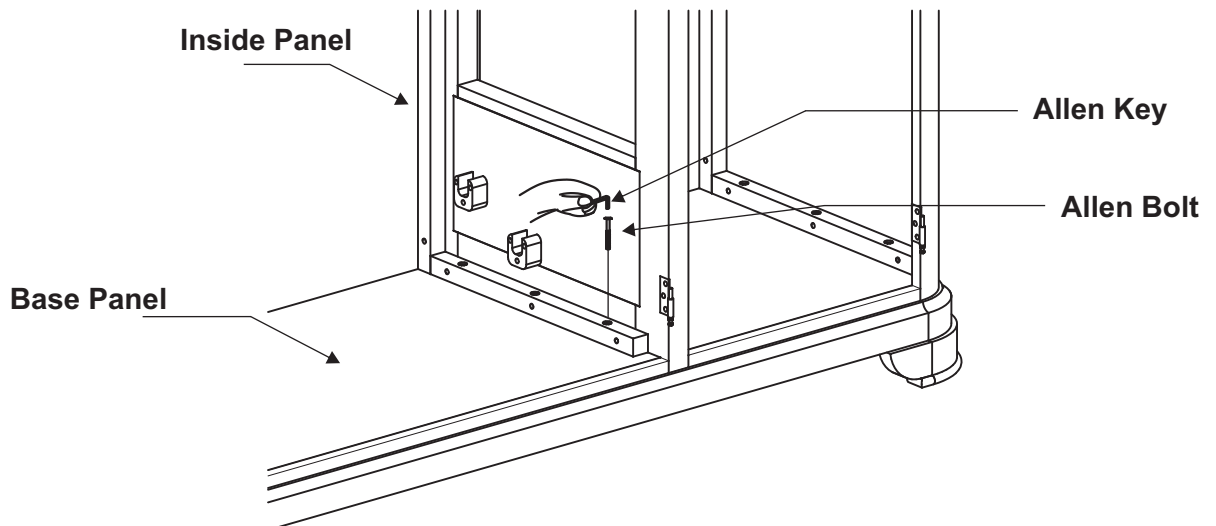
Step 1. Side Panel & Base Panel Assembly

Fitting Allen Bolt M6 x 50 mm



Step 2. Inside Panel & Base Panel Assembly

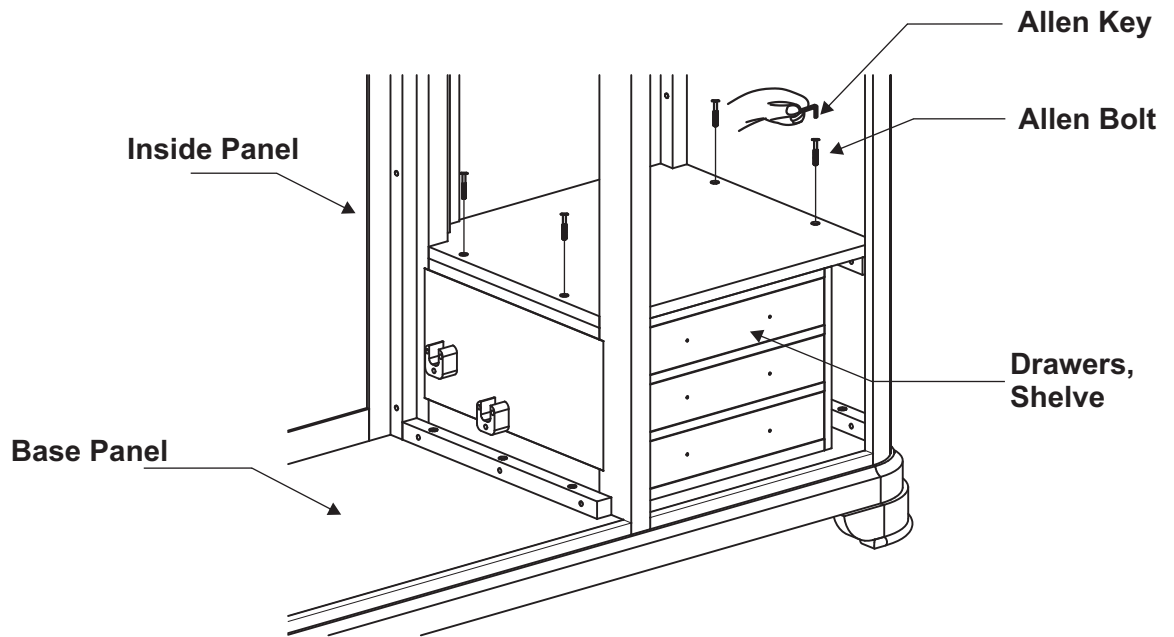
Fitting Allen Bolt M6 x 50 mm



Seville 3 Door Wardrobe KD (S B10) Assembly Instruction

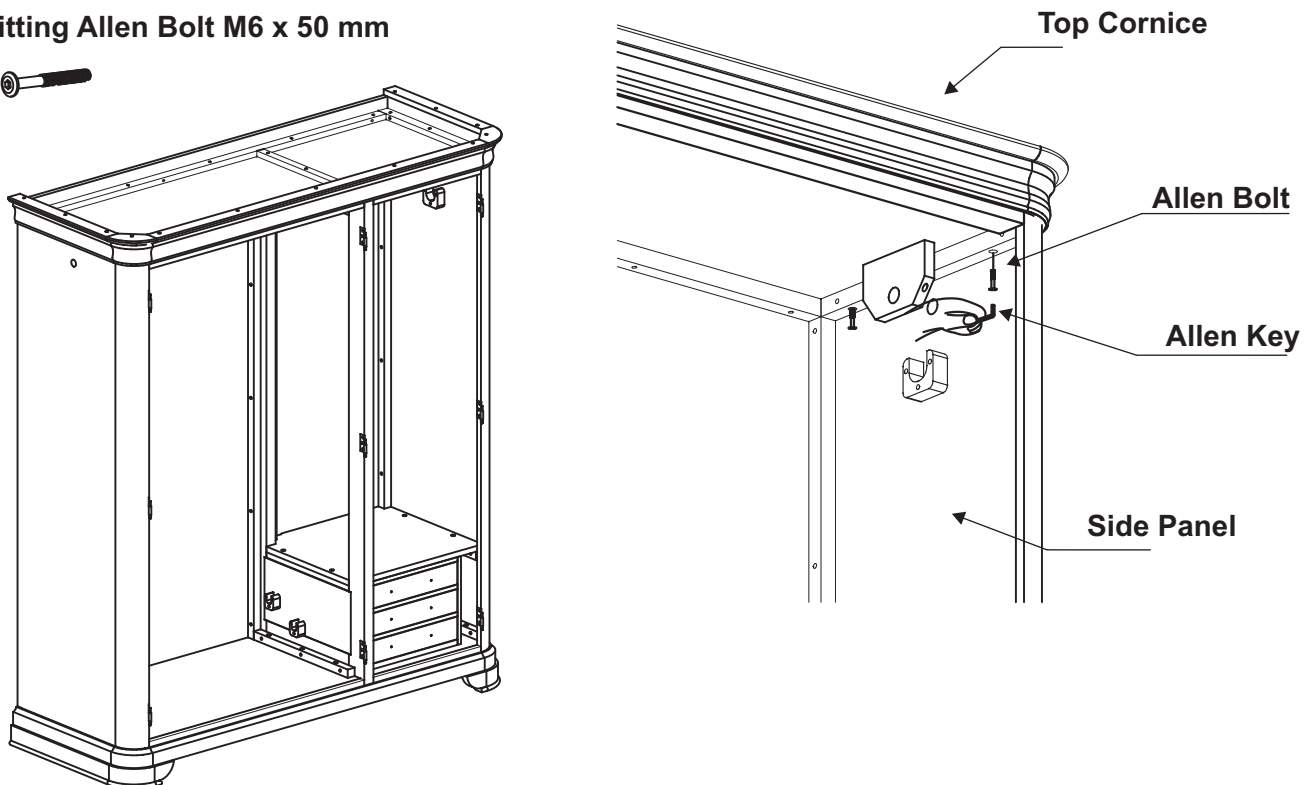
Step 3. Drawers and Shelf Assembly

Fitting Allen Bolt M6 x 50 mm



Step 5. Top Cornice Assembly

Fitting Allen Bolt M6 x 50 mm



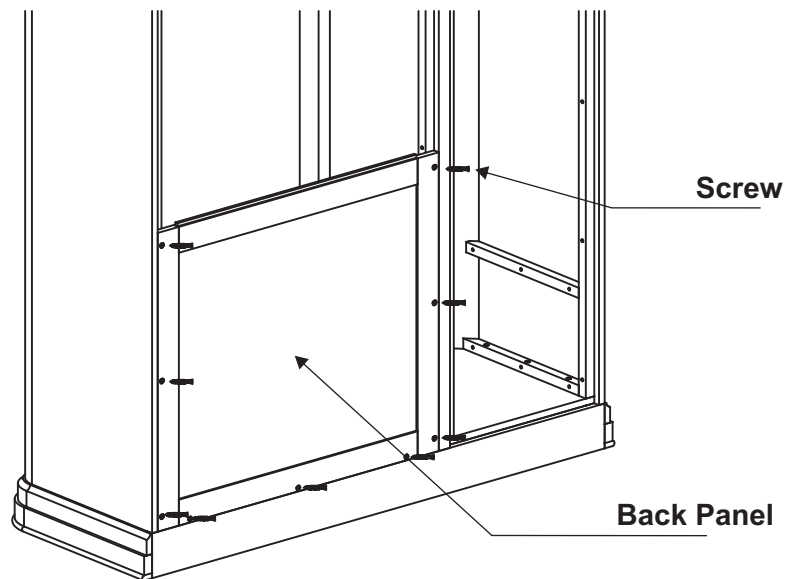
Seville 3 Door Wardrobe KD (S B10) Assembly Instruction

6. Back Panel Assembly

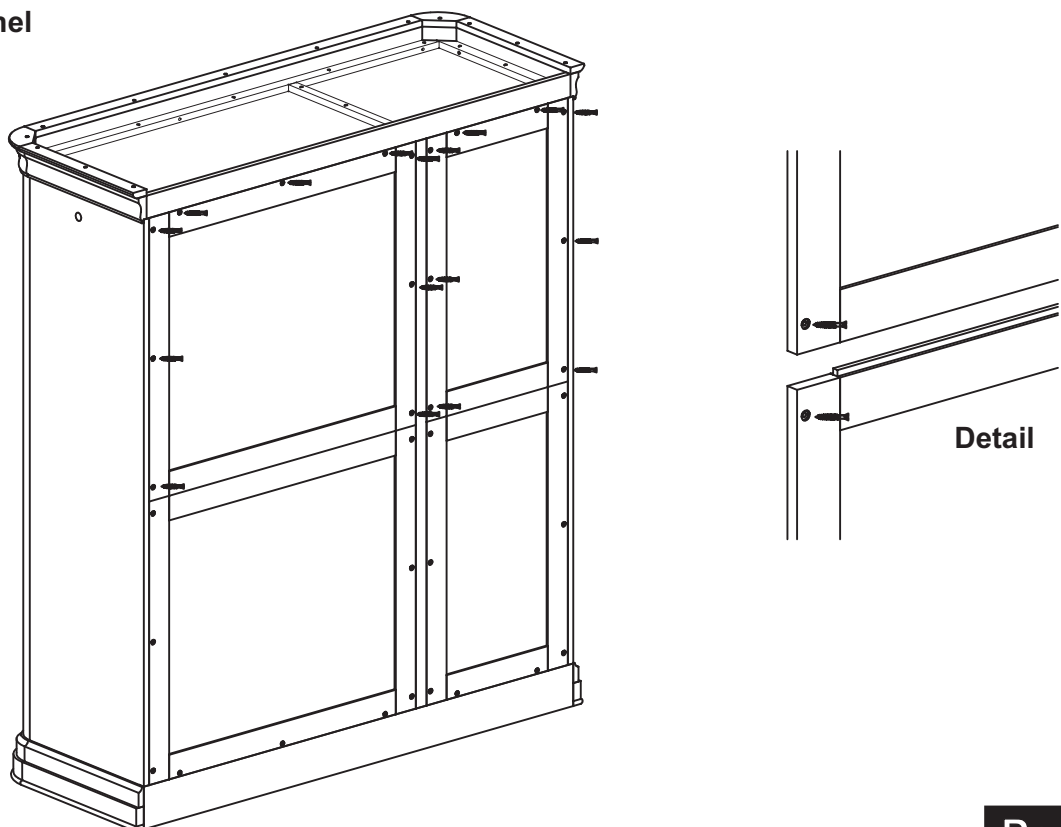
Fitting screw



a) Bottom of back panel

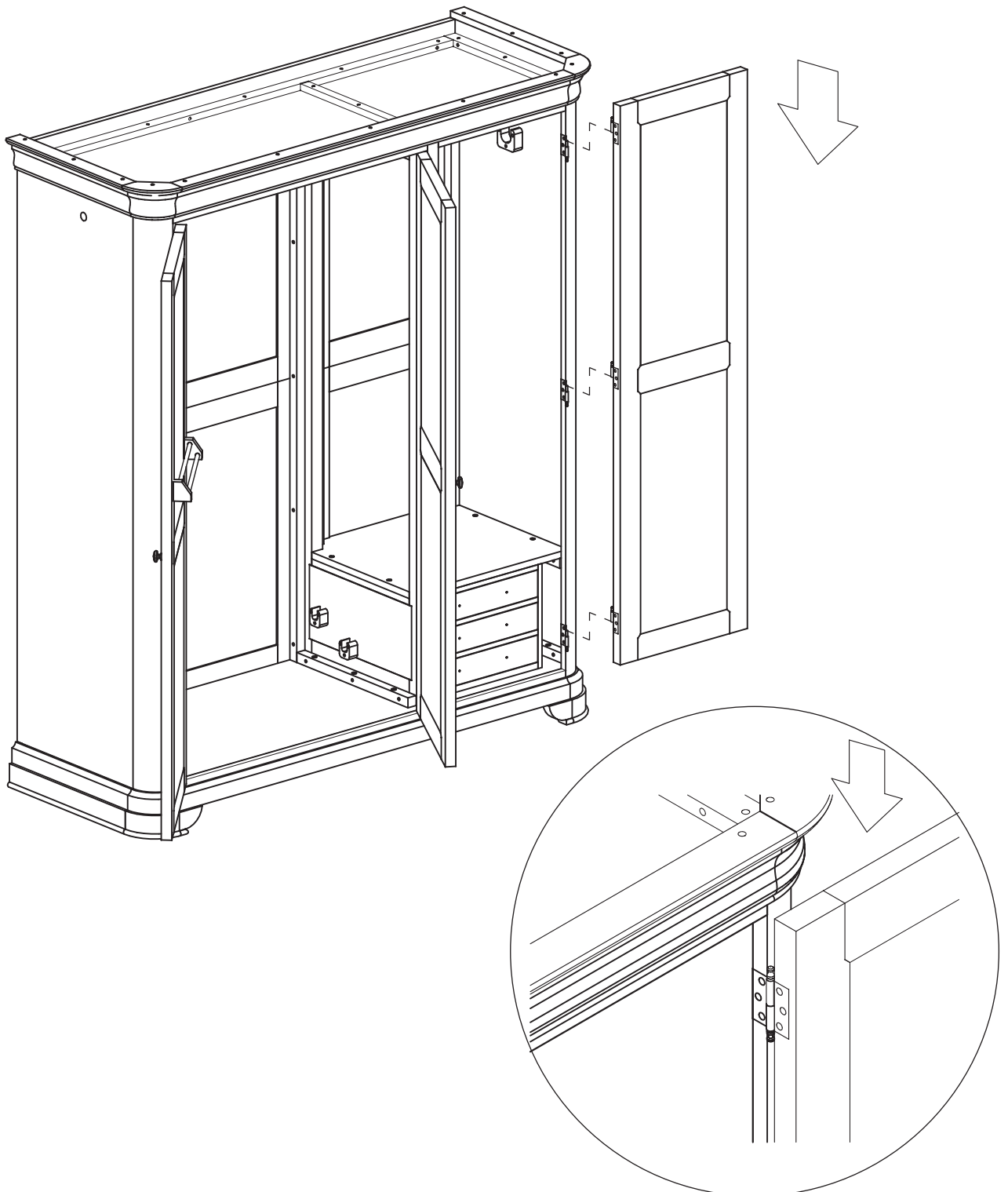


b) Top of back panel



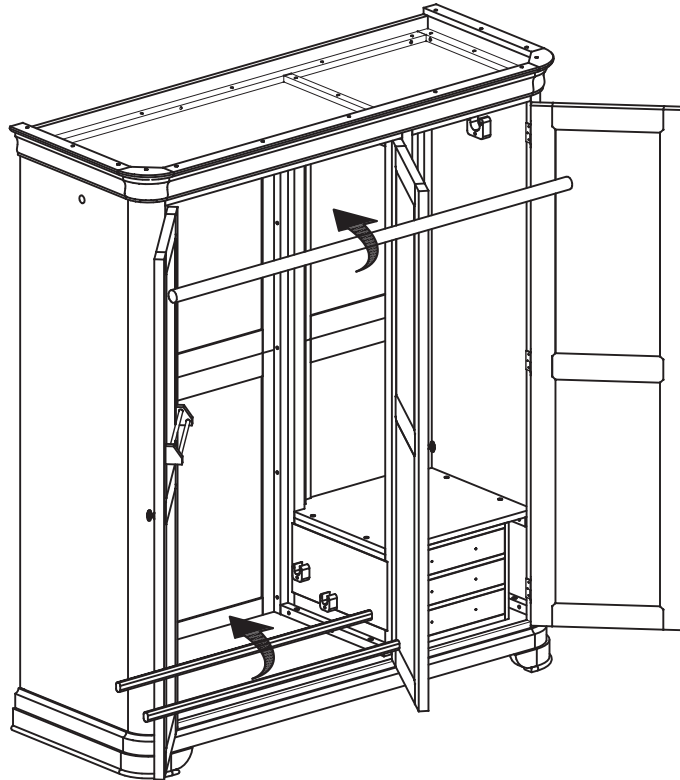
Seville 3 Door Wardrobe KD (S B10) Assembly Instruction

Step 7. Door Assembly

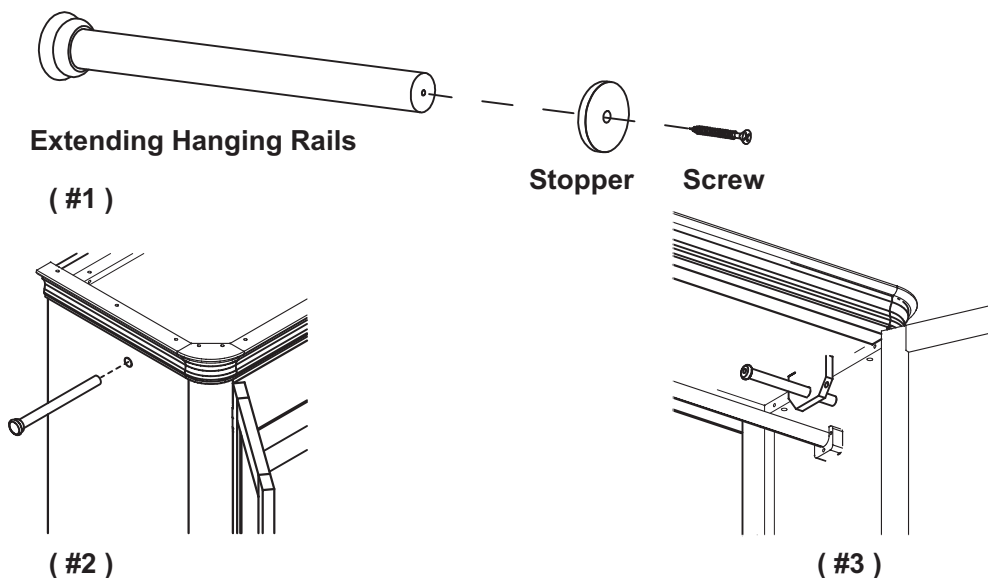


Seville 3 Door Wardrobe KD (S B10) Assembly Instruction

- Step 8. - Locate the Hanging Rails (I) into the support**
- Locate the shoe Rails (J) into the support



- Step 9. - Remove stopper screw from the extending hanging rail (see #1)**
- Insert extending hanging rail on to the hole of side panel (see #2)
- Attach stopper to extending hanging rail using screw (see #3)



Seville 3 Door Wardrobe KD (S B10) Assembly Instruction

Completed Assembly

