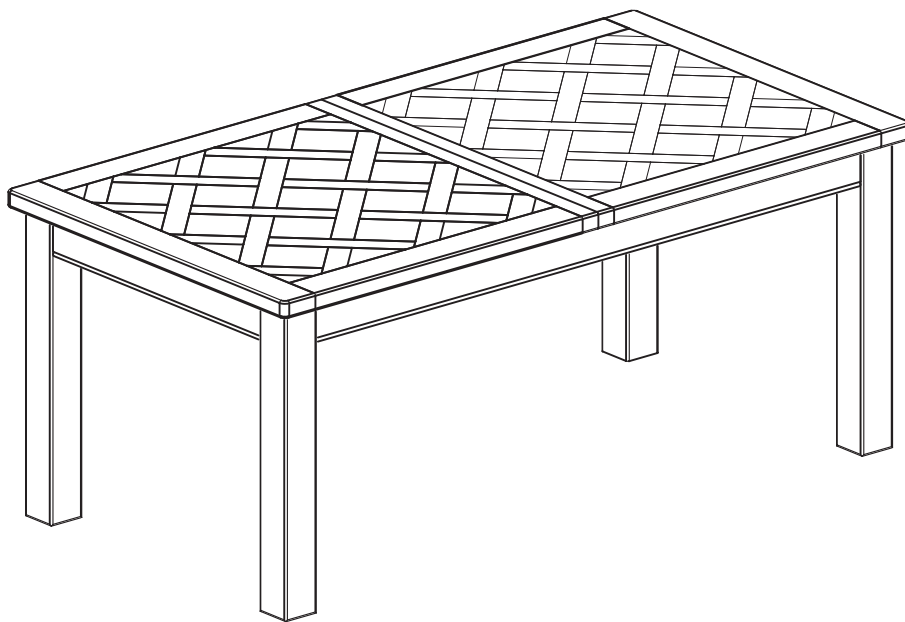


Large Extending Table (SV14) Assembly Instruction

Thank you for buying our product

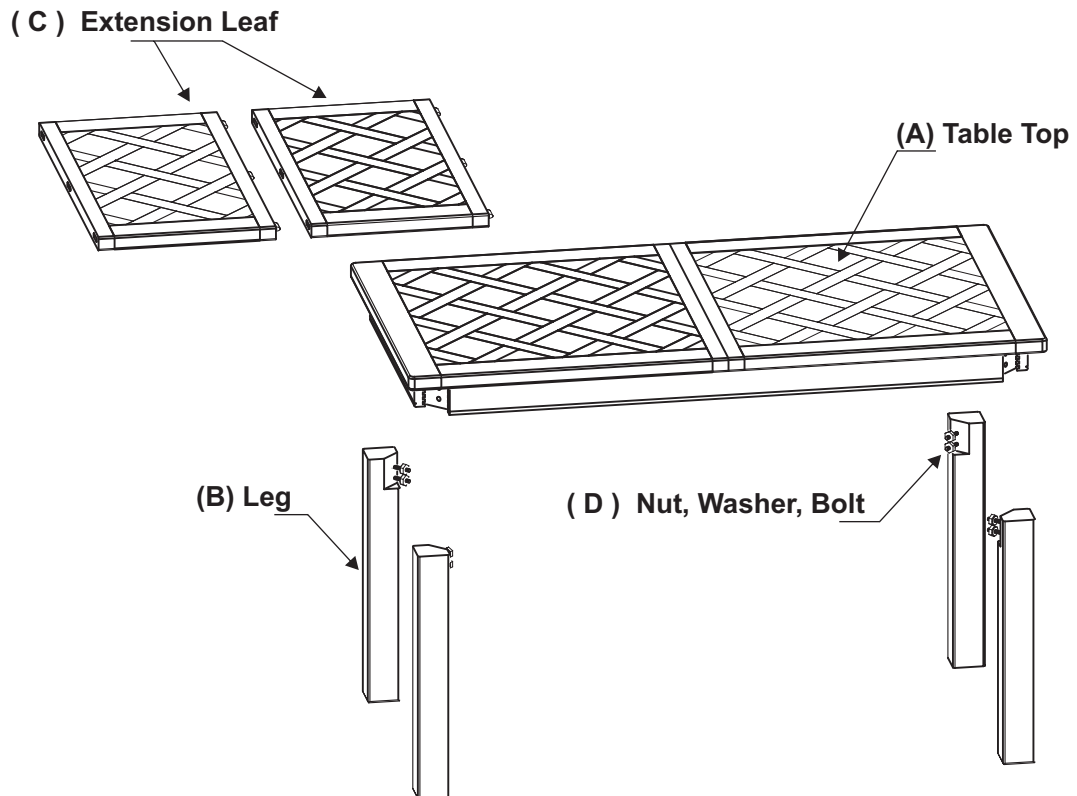


Step By Step Assembly Instructions

PRE-ASSEMBLY PREPARATION

1. Please check the pack contents before attempting to assemble this product.
A full checklist of components is given in this leaflet. If any components are missing, please contact the retailer from whom you bought this product.
2. This product is **VERY HEAVY**, It should be assembled as near as possible to the point of use. **TAKE CARE WHEN LIFTING** to avoid personal injury and (or) damage to the product.
3. This product takes approximately 60 minutes to assemble with 3 people.
4. The fitting pack contains **SMALL ITEMS** which should be :
“**KEPT AWAY FROM YOUNG CHILDREN**“
5. Read this leaflet in full before commencing assembly.
6. You will require a 17 mm spanner (not supplied).

Large Extending Table (SV14) Assembly Instruction



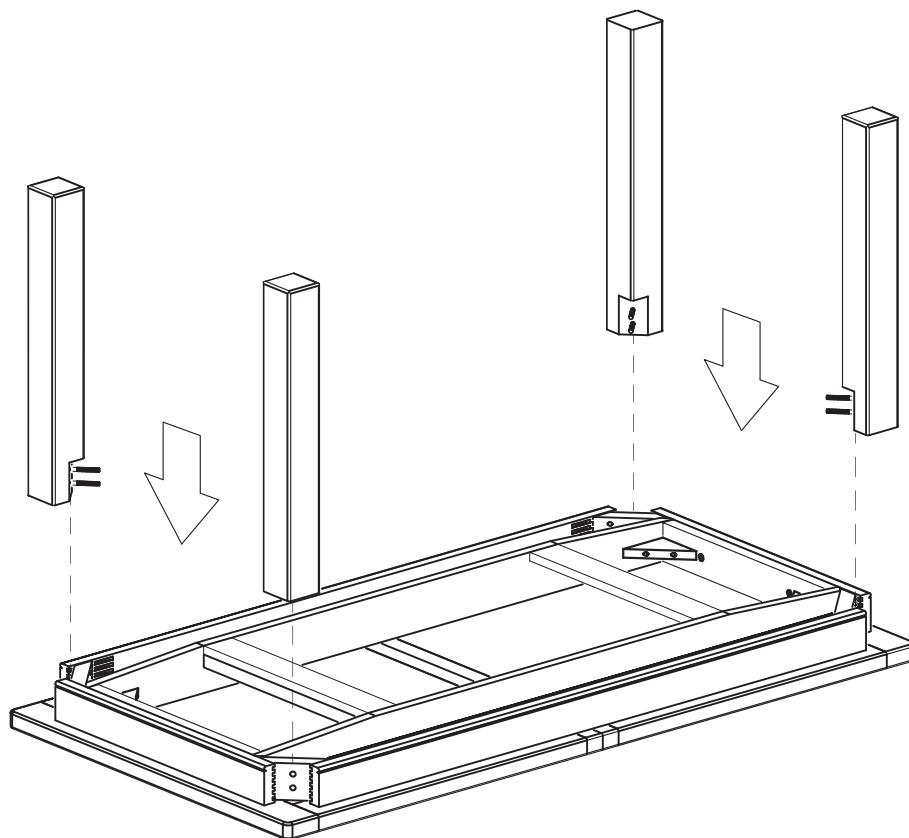
HARDWARE IDENTIFICATION

ITEM	DESCRIPTION	Qty
A	Table Top	1
B	Leg	4
C	Extension Leaf	2
D	Nut, Washer, Bolt	8
E	Bag	2

Large Extending Table (SV14) Assembly Instruction

1. Step

Place protective cardboard or blankets on the floor (make sure there is no debris) and place the top of the table upside down as per the diagram below (Fig.1)
Fig.1 (Shows the table upside down on the floor ready for assembling)



There are 4 x table leg marked clearly with white stickers (1, 2, 3 and 4). Underneath the table, there are corresponding marks (1, 2, 3 and 4).

Fit the table leg (1) to underside corner of table marked (1)
and do the same with leg (2) to underside corner of table (2)
and do the same with leg (3) to underside corner of table (3)
and do the same with leg (4) to underside corner of table (4).

Large Extending Table (SV14) Assembly Instruction

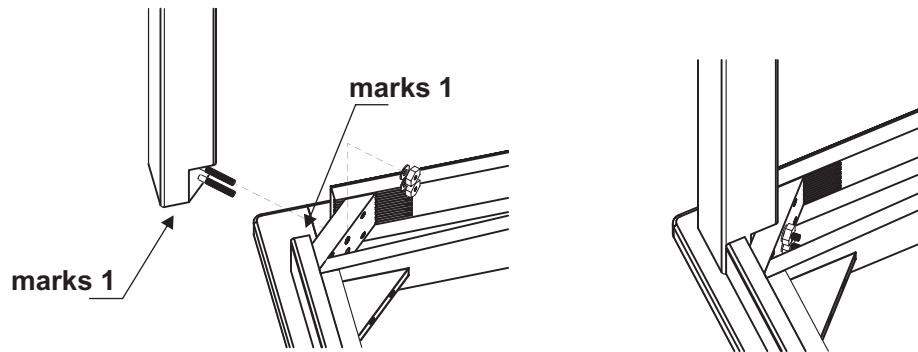
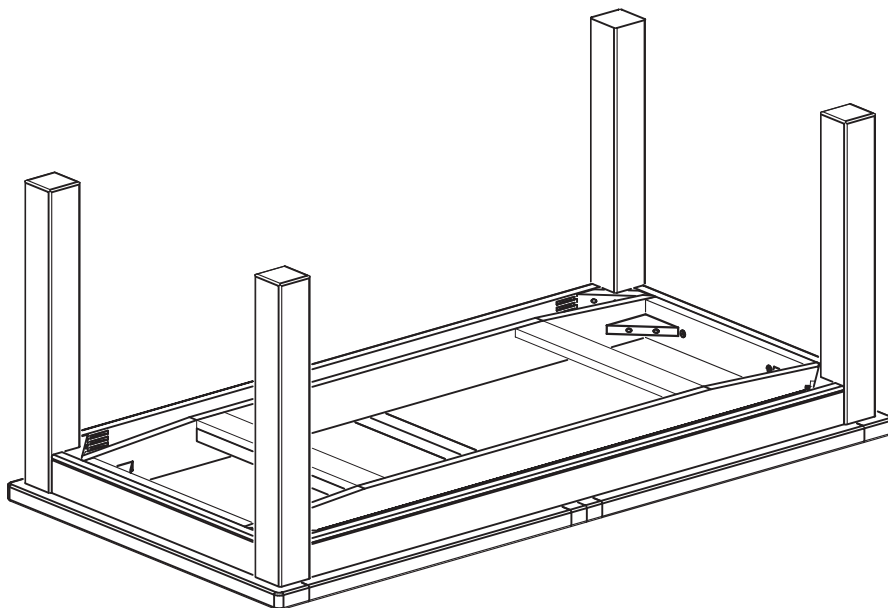


Fig.2 Shows the underside of the table with clear markings of 1 with 1, and 2 with 2 and also show bolts, nut and washer.

Important Notice : Ensure the bolts are inserted as below
Tighten the bolts firmly (make sure the washer is on the outside of the corner)

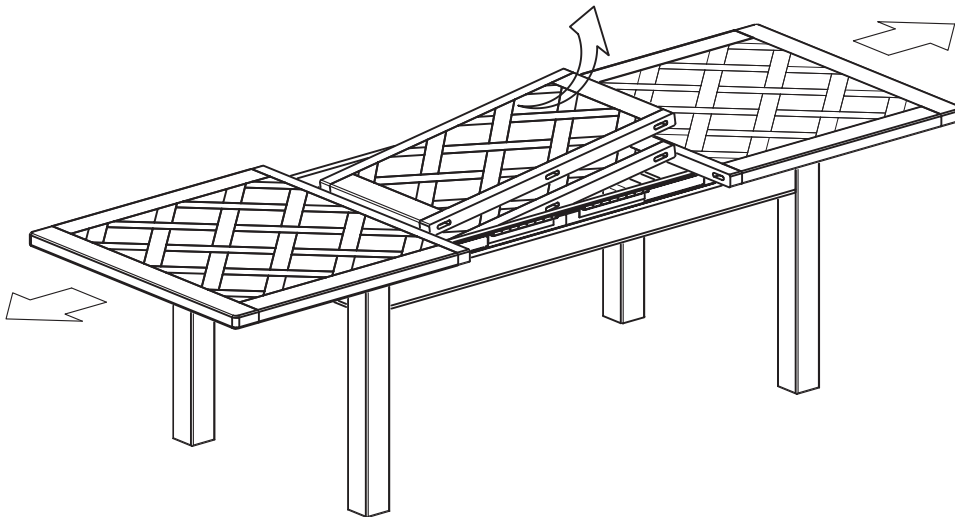


Large Extending Table (SV14) Assembly Instruction

2. Step

Turn the table over. First onto one side then carefully using at least 2 men turn the table into its final operating position. **THIS PRODUCT IS HEAVY.**
Finally re - tighten the 8 nuts and bolts from underneath.

Fig. 4 Shows take out the extension leaves from storage location of the extension leaves.



3. Step

Open the table mechanism and you will find 2 extension leaves. Remove them both from their bags carefully. Place one or both of the extension into the table noting the positions of the locating tenons. Push the main leaves back together ensuring the pins locate into the holes. The assembly is now complete.

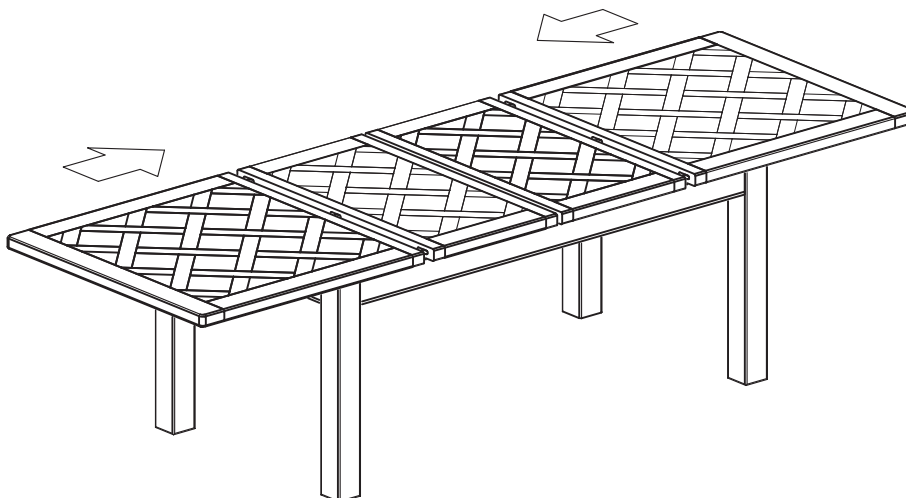


Fig. 5 Shows the completed assembled table