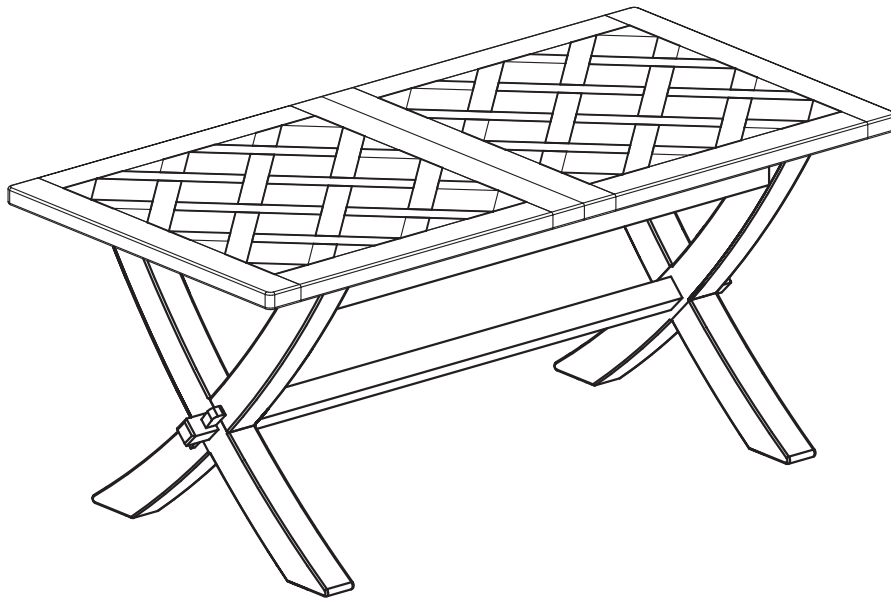




## X Frame Dining Table ( SV01 ) Assembly Instruction

---

*Thank you for buying our product*



---

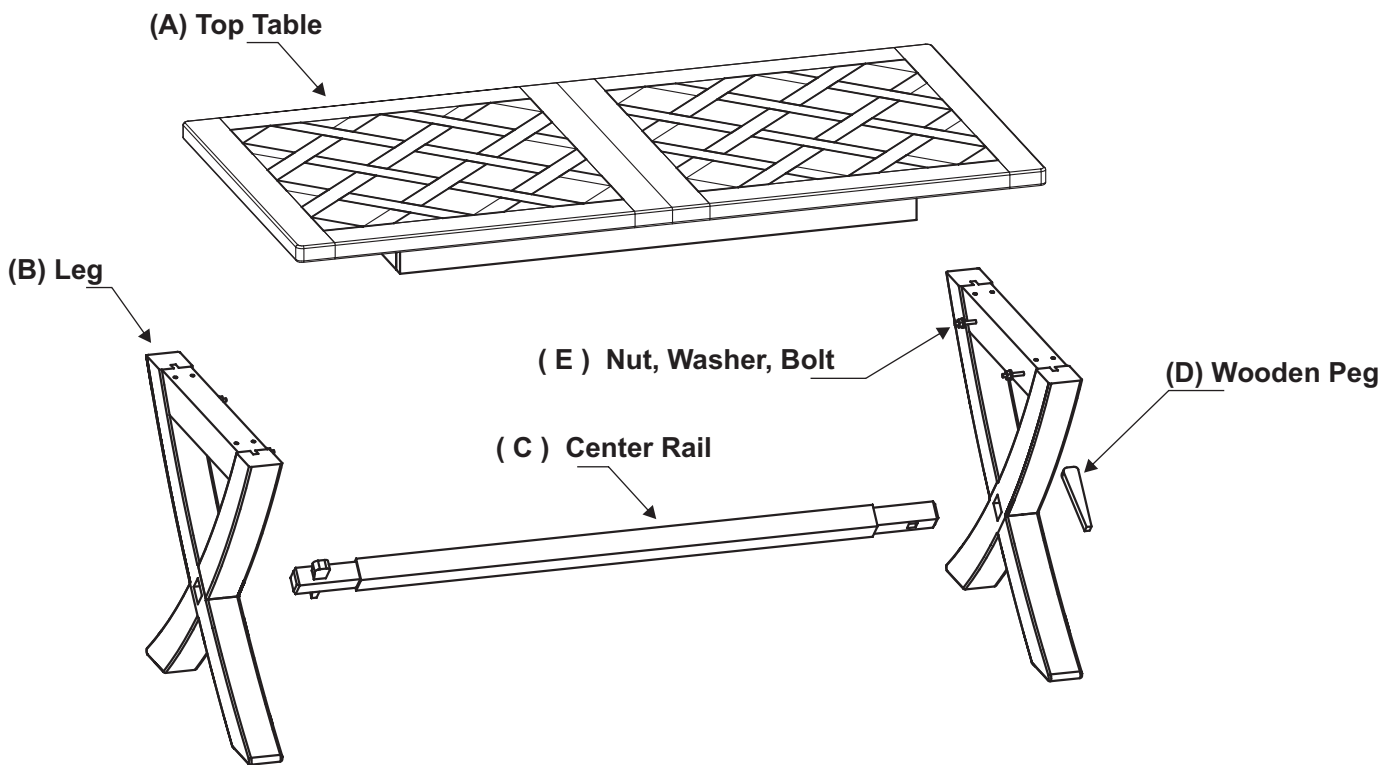
## Step By Step Assembly Instructions

---

### PRE-ASSEMBLY PREPARATION

1. Please check the pack contents before attempting to assemble this product.  
A full checklist of components is given in this leaflet. If any components are missing, please contact the retailer from whom you bought this product.
2. This product is **VERY HEAVY**, It should be assembled as near as possible to the point of use. **TAKE CARE WHEN LIFTING** to avoid personal injury and ( or ) damage to the product.
3. This product takes approximately 60 minutes to assemble with 3 people.
4. The fitting pack contains **SMALL ITEMS** which should be :  
**"KEPT AWAY FROM YOUNG CHILDREN"**
5. Read this leaflet in full before commencing assembly.
6. You will require a 17 mm spanner (not supplied).

# X Frame Dining Table ( SV01 ) Assembly Instruction



## HARDWARE IDENTIFICATION

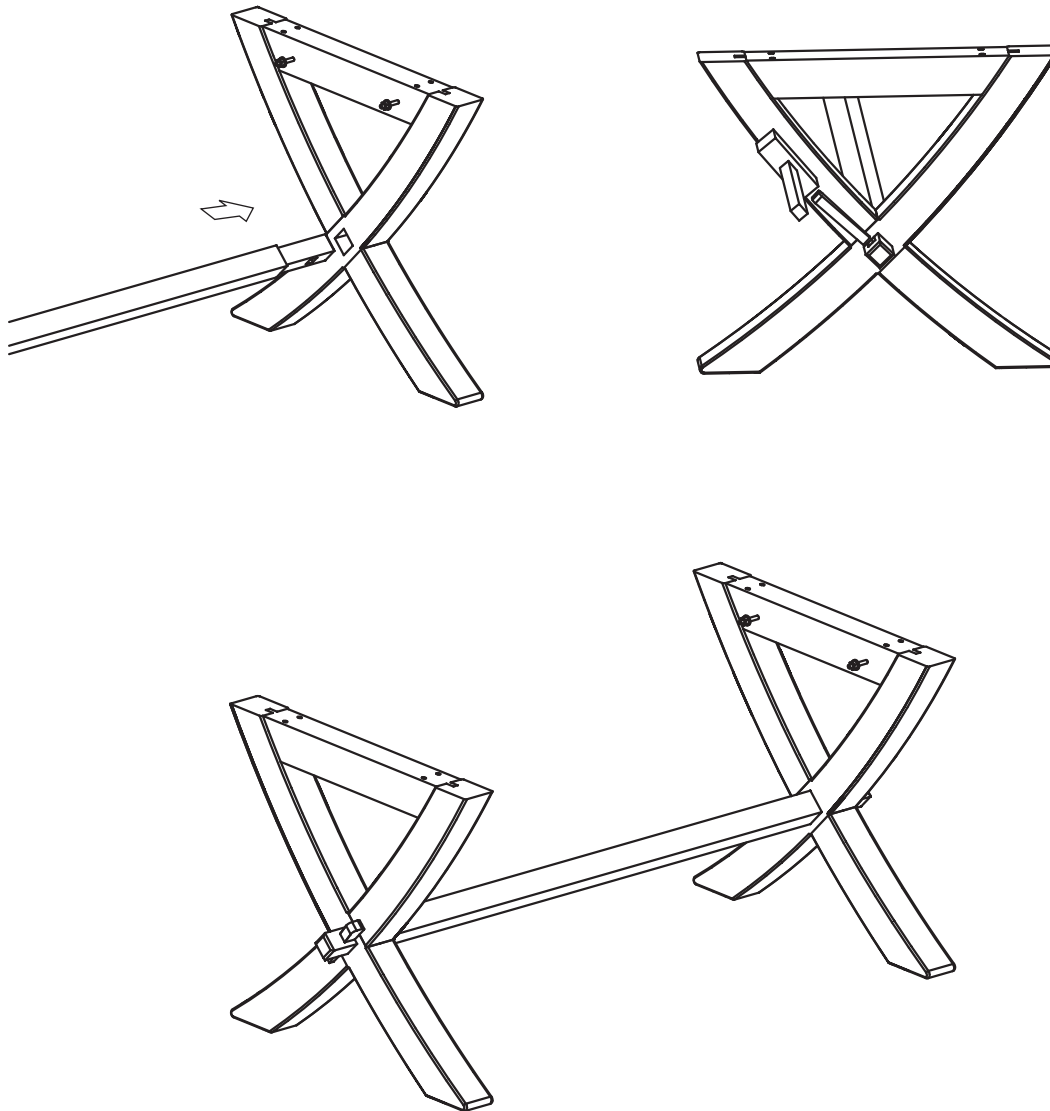
ITEM	DESCRIPTION	Qty
A	Table Top	1
B	Leg	2
C	Center Rail	1
D	Wooden Peg	2
E	Nut, Washer, Bolt	4

# X Frame Dining Table ( SV01 ) Assembly Instruction

---

## 1. Step

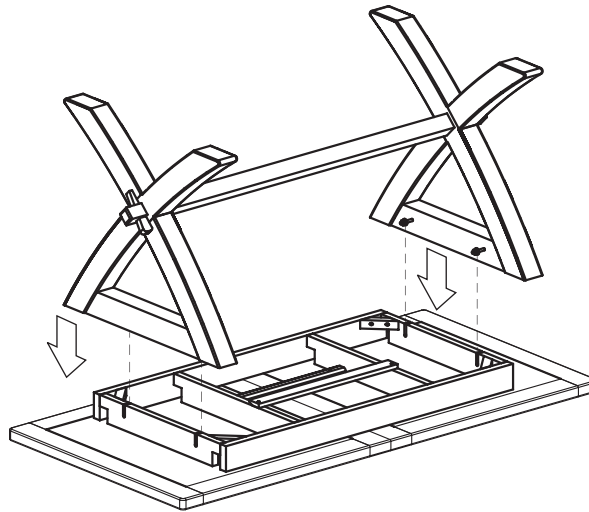
Place protective cardboard or blankets on the floor ( make sure there is no debris )  
Fig.1 Insert stretcher bar into leg shows the Wooden Pegs being hammered firmly into the stretcher bar and Shows the leg ready for assembling



# X Frame Dining Table ( SV01 ) Assembly Instruction

## 2. Step

Place protective cardboard or blankets on the floor ( make sure there is no debris ) and place the top of the table upside down as per the diagram below ( fig.2)  
Fig.2 (Shows the table upside down on the floor ready for assembling)

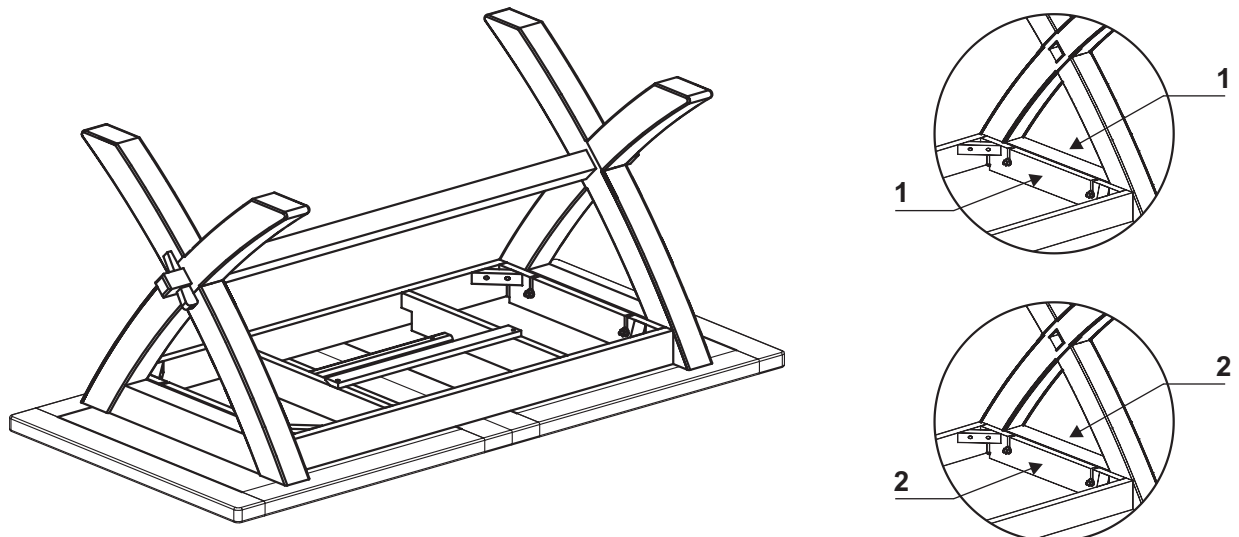


## 3. Step

There are 2 x table bases marked clearly with white stickers ( 1 and 2 ). Underneath the table, there are corresponding marks ( 1 and 2 ). Fit the table base ( 1 ) to underside of table marked ( 1 ) and do the same with base ( 2 ) to underside of table ( 2 ).

Fig.3 Shows the underside of the table with clear markings of 1 with 1 ,and 2 with 2 and also show bolts nut and washer.

Important Notice : Ensure the bolts are inserted as below  
**Tighten the bolts firmly** ( make sure the washer is on the outside of the base )



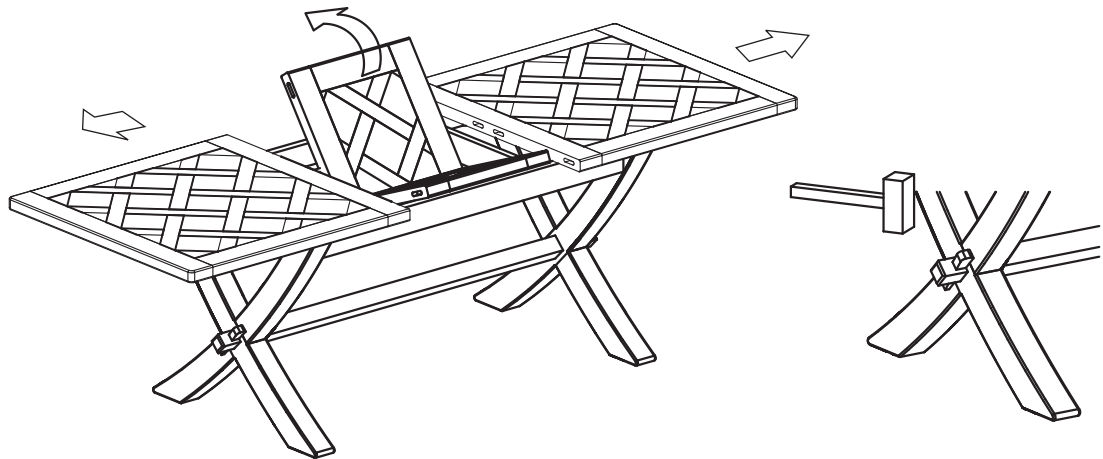
## X Frame Dining Table ( SV01 ) Assembly Instruction

### 4. Step

Turn the table over. First onto one side then carefully using at least 2 men turn the table into its final operating position. **THIS PRODUCT IS HEAVY.**

Locate the Wooden Pegs. Using a hammer strike the wooden peg into the stretcher bar tenon **FIRMLY** until the table is stable. Finally re - tighten the 4 nuts and bolts from underneath.

Fig. 4 Shows the Wooden Pegs being hammered firmly into the stretcher bar and also the location of the extension leaves.



### 5. Step

Open the table mechanism and you will find 2 extension leaves. Push the main leaves back together ensuring the pins locate into the holes. The assembly is now complete.

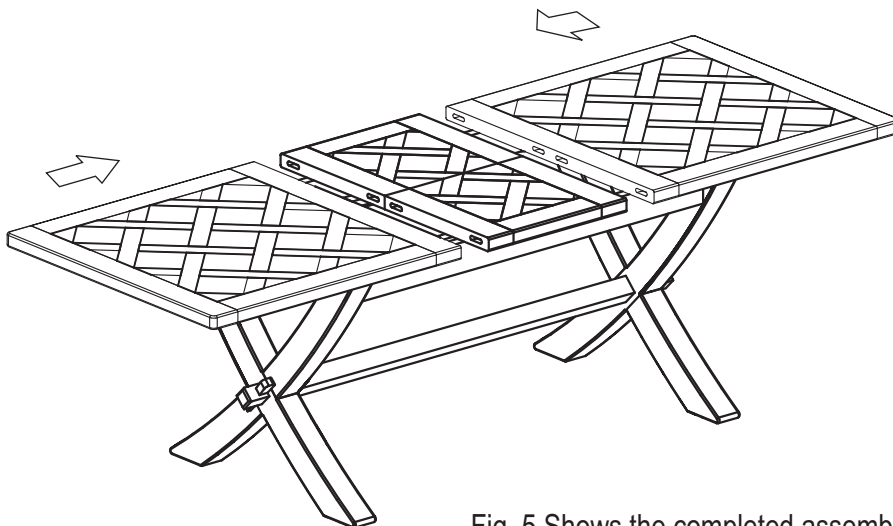


Fig. 5 Shows the completed assembled table



# X Frame Dining Table ( SV01 ) Assembly Instruction

**IMPORTANT NOTICE : PLEASE ENSURE THE BOLTS  
ARE INSERTED AS SHOWN BELOW**

