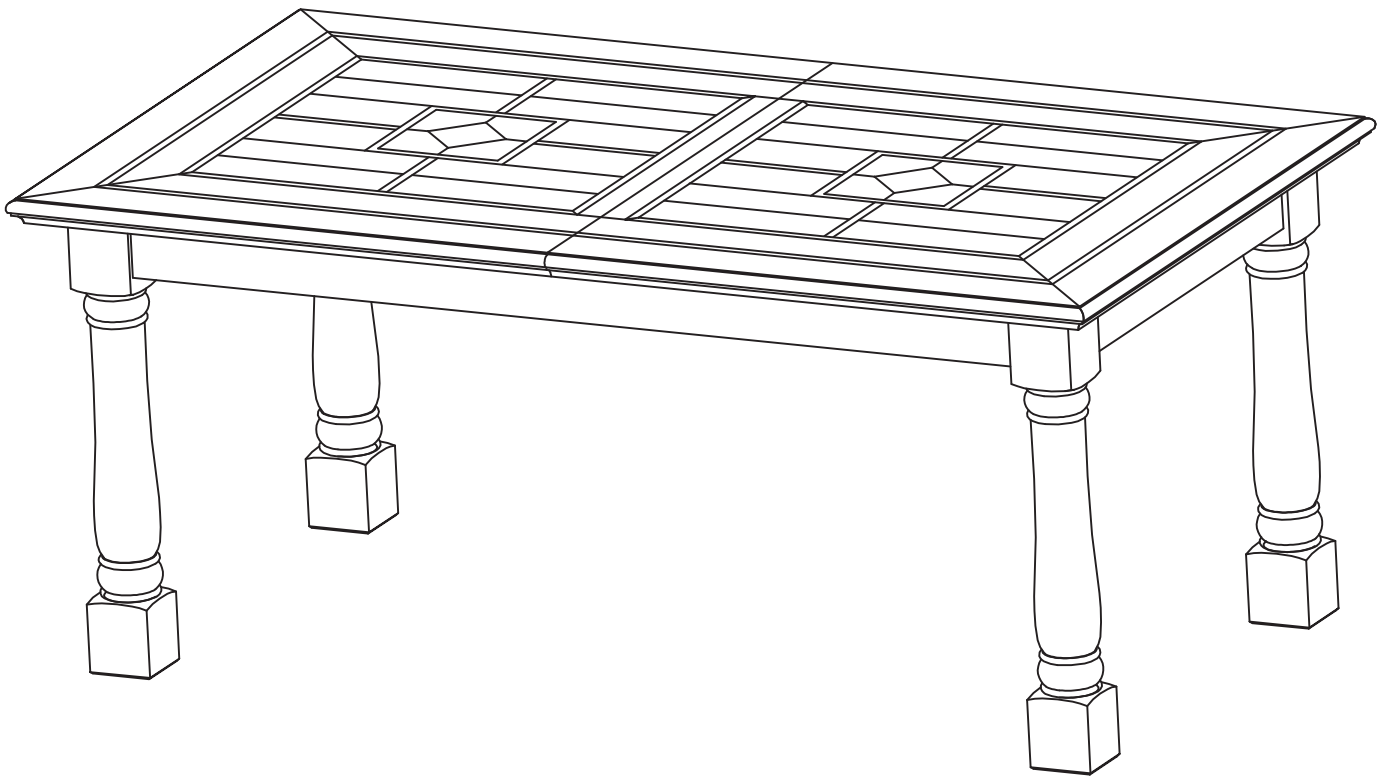


## Extending Dining Table ( SL01 ) Assembly Instruction

*Thank you for buying our product*

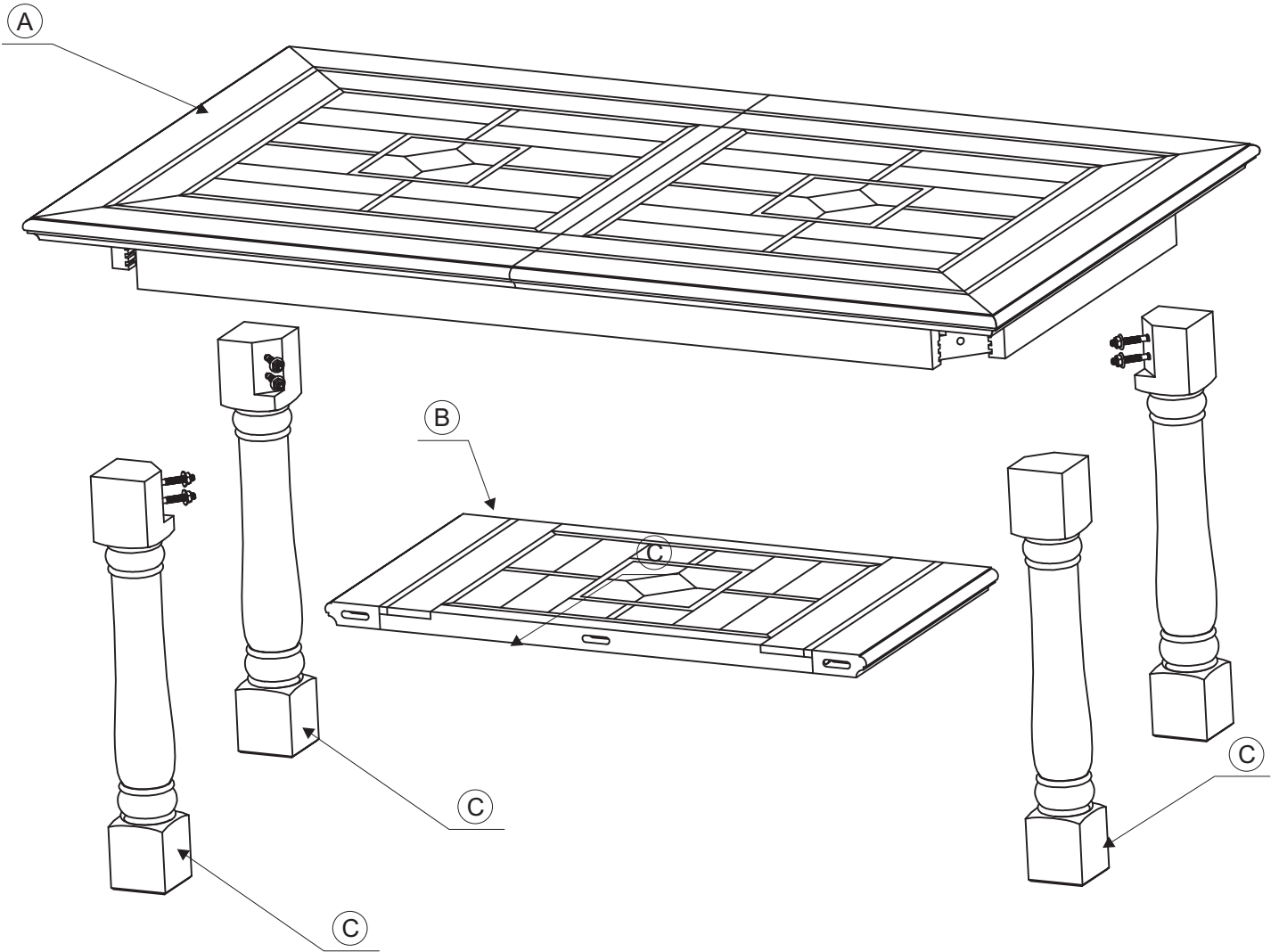


## Step By Step Assembly Instructions

### PRE-ASSEMBLY PREPARATION

1. Please check the pack contents before attempting this product. A full checklist of component is given in this leaflet. If any components are missing, please contact the retailer from whom you bought this product.
2. This product is **HEAVY**, it should be assembled as near as possible to the point of use. **TAKE CARE WHEN LIFTING** to avoid personal injury and (or) damage to the product.
3. This product takes approximately 45 minutes to assembly with 2 people.
4. The fitting pack contains **SMALL ITEMS** which should be **KEPT AWAY FROM YOUNG CHILDREN**.
5. Read this leaflet in full before commencing assembly.
6. You will require a 17 mm spanner (not provided) to assemble this product.
7. **WE RECOMMEND** that you lay a protective cloth on your carpet during assembly, **to prevent marking**.

# Extending Dining Table ( SL01 ) Assembly Instruction

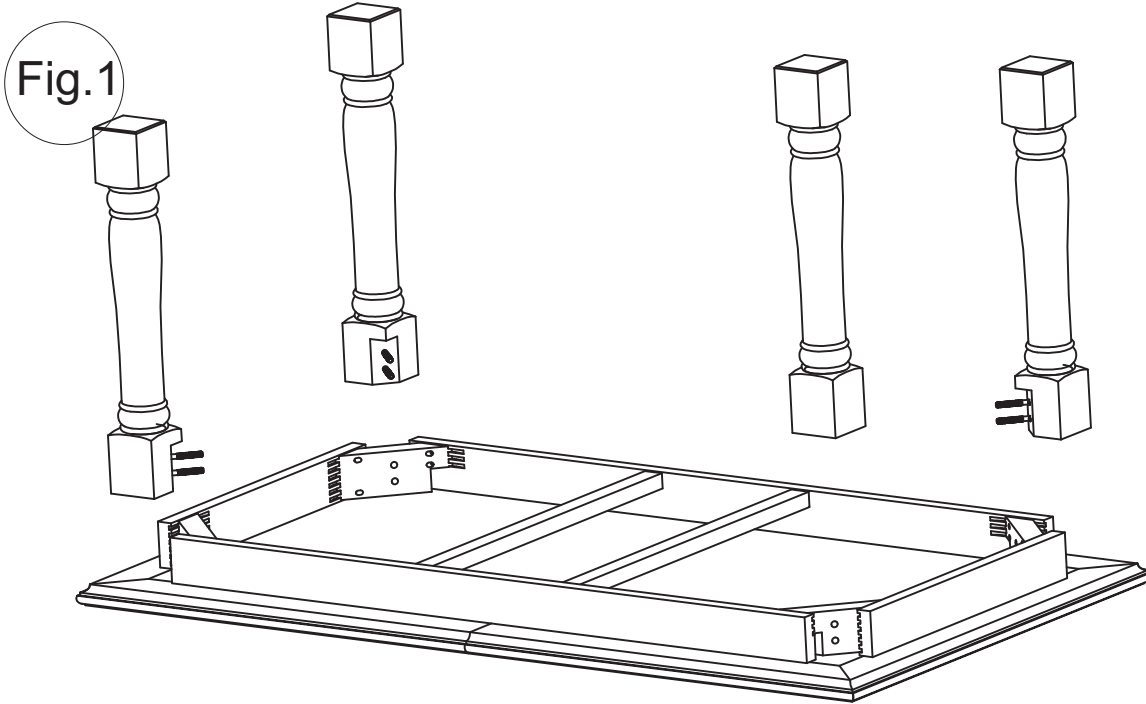


## Panel and Fitting Identification

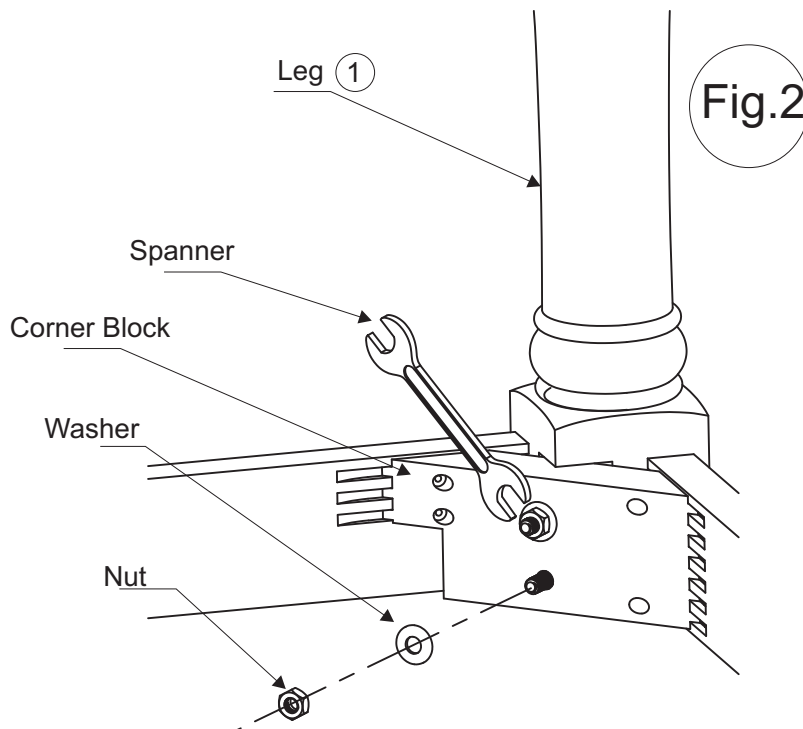
Item	Description	Qty
A	Top Table	1
B	Extension Leaf	1
C	Leg	4
D	Bag	1

# Extending Dining Table ( SL01 ) Assembly Instruction

- Step 1** - Place protective cardboard or blankets on the floor ( make sure there is no debris ) and place the top of the table upside down as per the diagram below (fig.1)  
Fig. 1 (shows the table upside down on the floor ready for assembling)



- Step 2** - Fit the table leg (1) to each underside table corner (2) and do same with others. Fig. 2 shows how table leg (1) is fitted.  
Important notice : Ensure the bolt are inserted and tighten as below.



## Extending Dining Table ( SL01 ) Assembly Instruction

- Step 3** - Open the table mechanism and you will find extension leaf.  
Remove the extension leaf from the bag carefully.  
Place the extension leaf into the table noting the positions of the locating tenons.  
Push the main leaves back together ensuring the pins locate into the holes.  
The Assembly is now complete.

