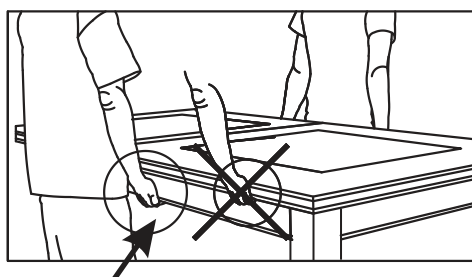
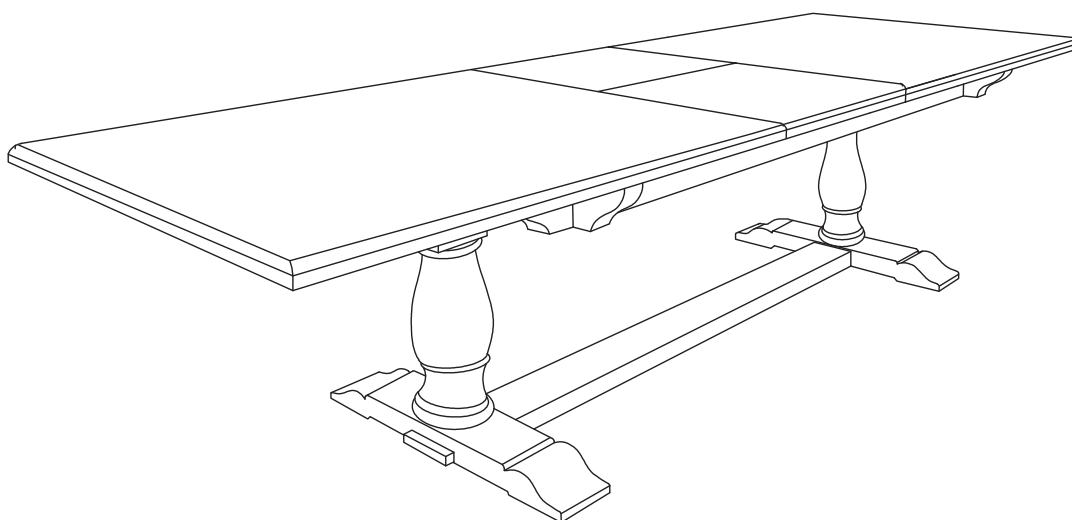


RECTANGULAR PEDESTAL DINING TABLE (EXTENDING BUTTERFLY DINING TABLE WITH 2 LEAVES) REN009 Assembly Instruction

Thank you for buying our product



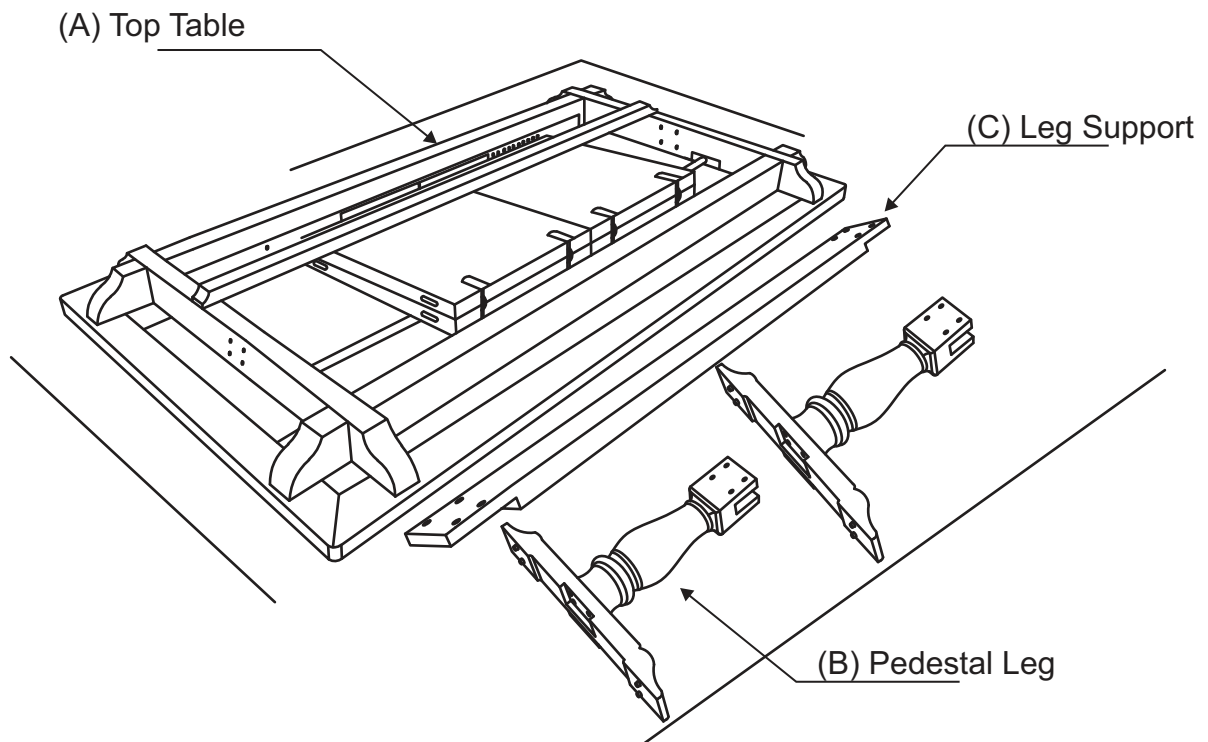
WARNING: MUST LIFT HERE

Step By Step Assembly Instructions

PRE-ASSEMBLY PREPARATION

1. Please check the pack contents before attempting to assemble this product.
A full checklist of components is given in this leaflet. If any components are missing, please contact the retailer from whom you bought this product.
2. This product is **VERY HEAVY**, It should be assembled as near as possible to the point of use. **TAKE CARE WHEN LIFTING** to avoid personal injury and (or) damage to the product.
3. This product takes approximately 60 minutes to assemble with 3 people.
4. The fitting pack contains **SMALL ITEMS** which should be :
"KEPT AWAY FROM YOUNG CHILDREN"
5. Read this leaflet in full before commencing assembly.
6. You will require a 12 mm spanner (not supplied).

RECTANGULAR PEDESTAL DINING TABLE (EXTENDING BUTTERFLY DINING TABLE WITH 2 LEAVES) REN009 Assembly Instruction

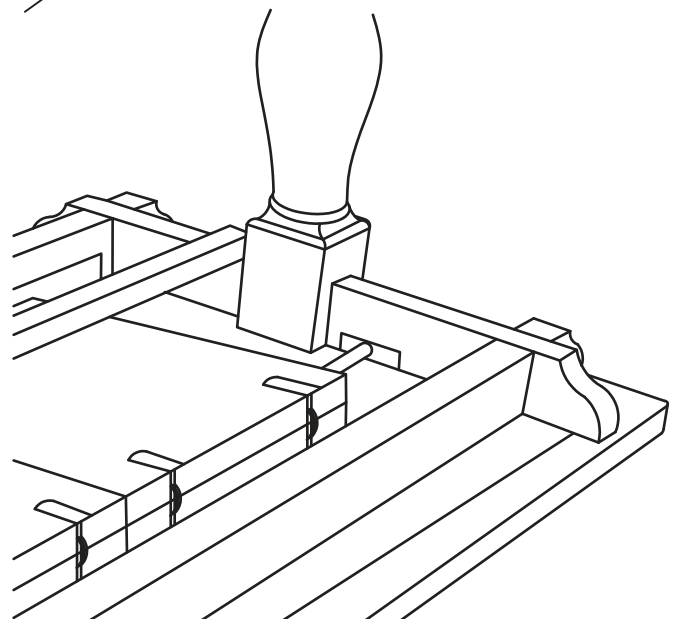
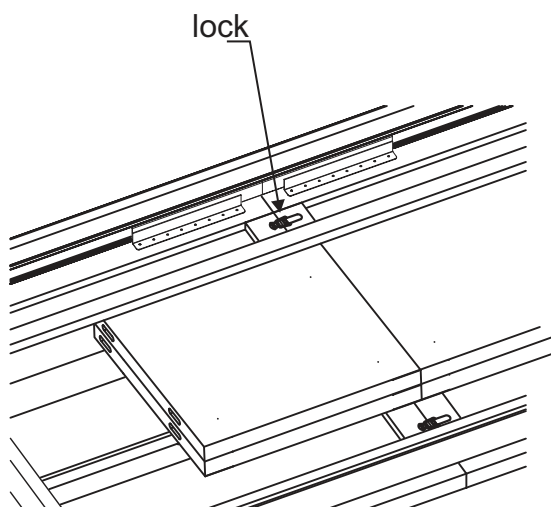
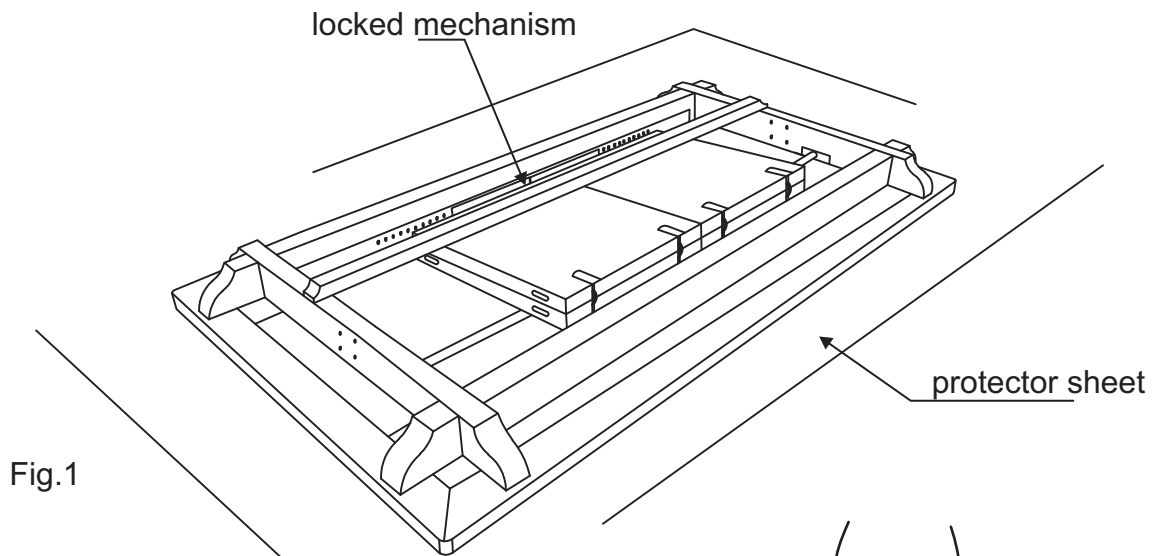


HARDWARE IDENTIFICATION		
ITEM	DESCRIPTION	Qty
A	Table Top	1
B	Pedestal Leg	2
C	Leg Support	1
D	Bolt M8 x 50 mm + Washer	8
E	Bolt M10 x 120 mm + Washer	8

RECTANGULAR PEDESTAL DINING TABLE (EXTENDING BUTTERFLY DINING TABLE WITH 2 LEAVES) REN009 Assembly Instruction

Step 1

Place protective cardboard or blankets on the floor (make sure there is no debris) and place the top of the table upside down as per the diagram below (Fig.1)
Unlock the mechanism, Fig.1 (Shows the table upside down on the floor ready for assembling)



RECTANGULAR PEDESTAL DINING TABLE (EXTENDING BUTTERFLY DINING TABLE WITH 2 LEAVES) REN009 Assembly Instruction

Step 2

There are 2 x table leg marked clearly with white stickers (1 and 2). Underneath the table, there are corresponding marks (1 and 2).
Fit the table leg (1) to underside Left of table marked (1)
and do the same with leg (2) to underside Right of table (2).

Important Notice : Ensure the bolts are inserted as below

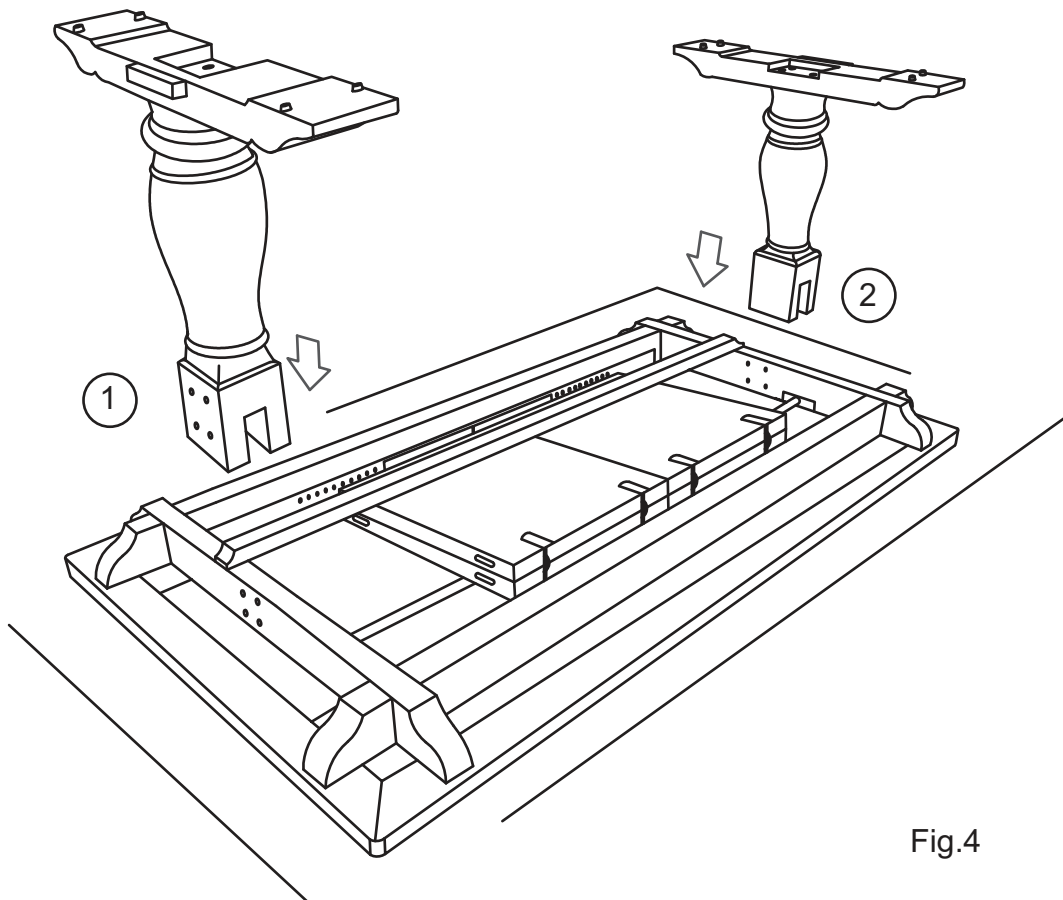


Fig.4

RECTANGULAR PEDESTAL DINING TABLE (EXTENDING BUTTERFLY DINING TABLE WITH 2 LEAVES) REN009 Assembly Instruction

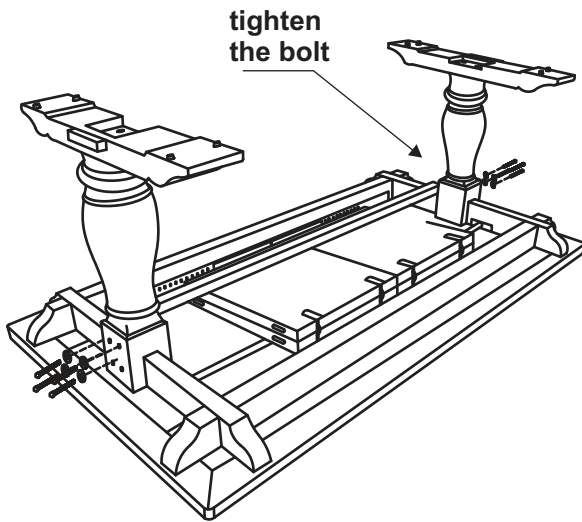


Fig.5

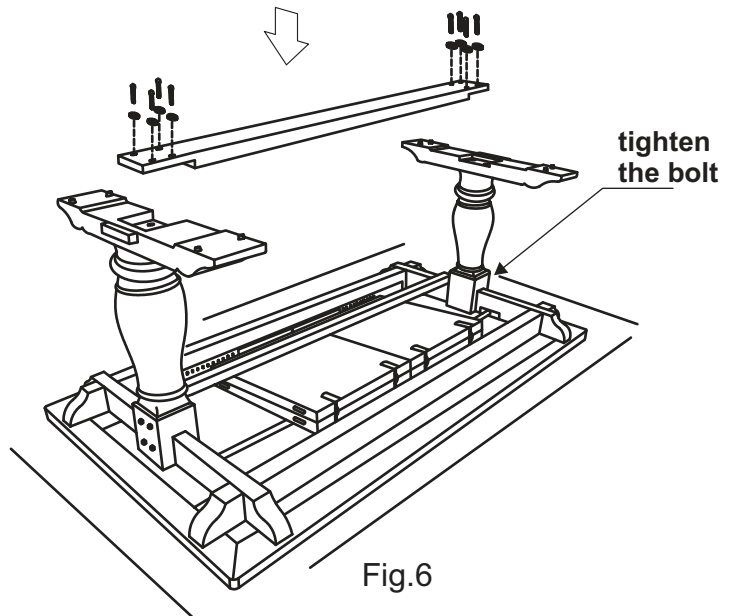


Fig.6

Fig.5 Shows the underside of the table with clear markings of 1 with 1, and 2 with 2, also show bolts and washer.

Fig.6 **Tighten the bolts firmly** (make sure used the washer)

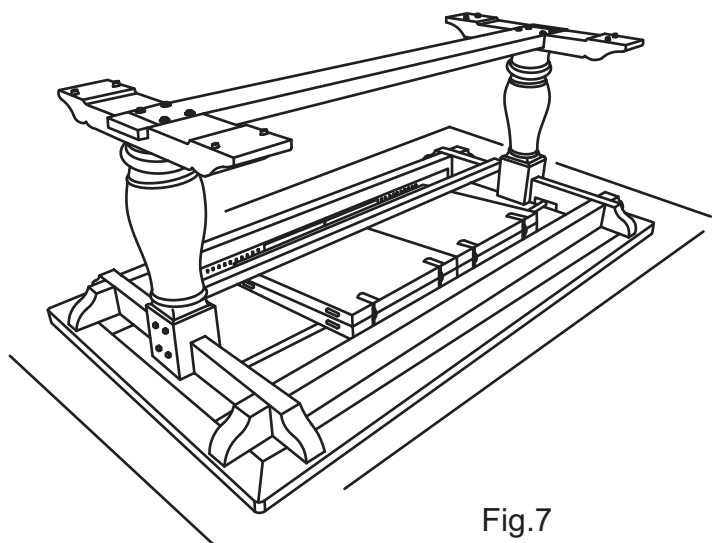
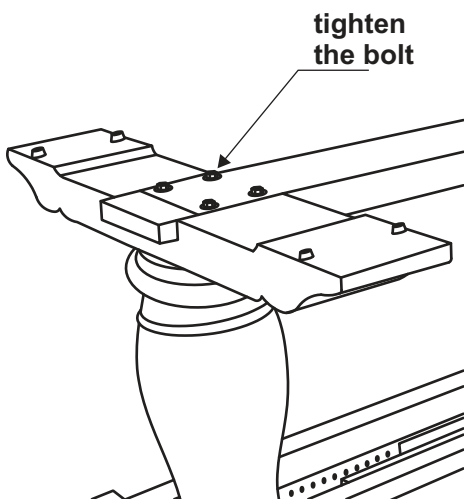


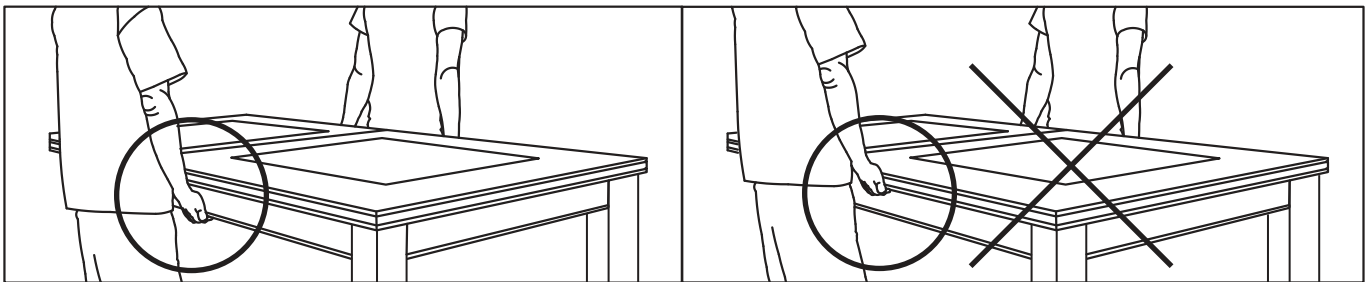
Fig.7

Fig. 7 Shows the completed assembled leg table

RECTANGULAR PEDESTAL DINING TABLE (EXTENDING BUTTERFLY DINING TABLE WITH 2 LEAVES) REN009 Assembly Instruction

Step 3

Turn the table over. First on to one side then carefully using at least 2 men turn the table into its final operating position. **THIS PRODUCT IS HEAVY.**



**TABLE MUST BE LIFTED
BY THE FRAME**

**DO NOT LIFT TABLE
FROM BY TOP TABLE ONLY**

IMPORTANT NOTICE:

PLEASE ENSURE THAT TABLE IS LIFTED,
AND TURNED BY HOLDING ON TO FRAME, NOT THE TABLE TOP PANEL ONLY

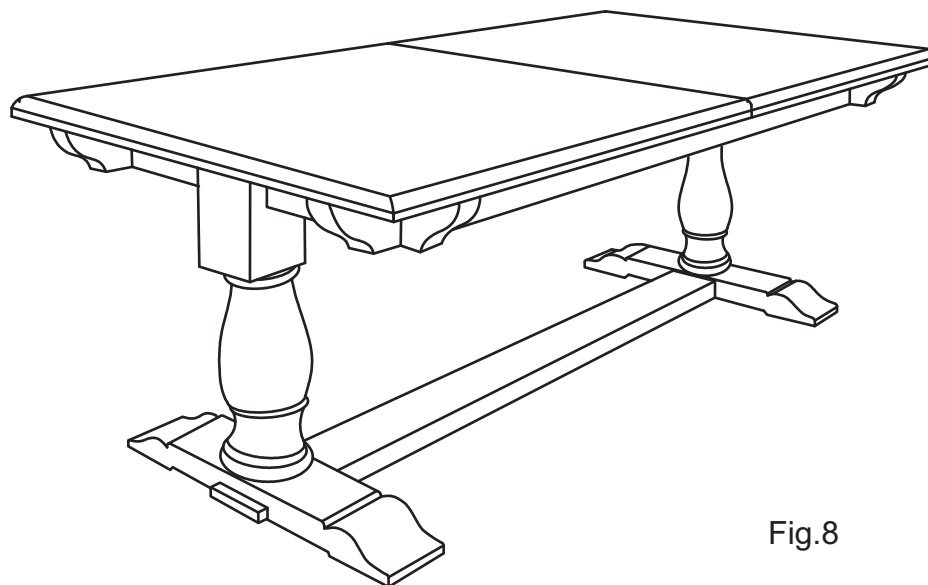


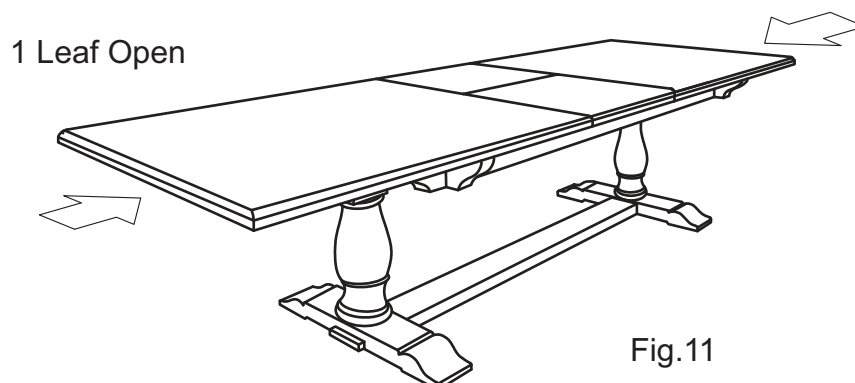
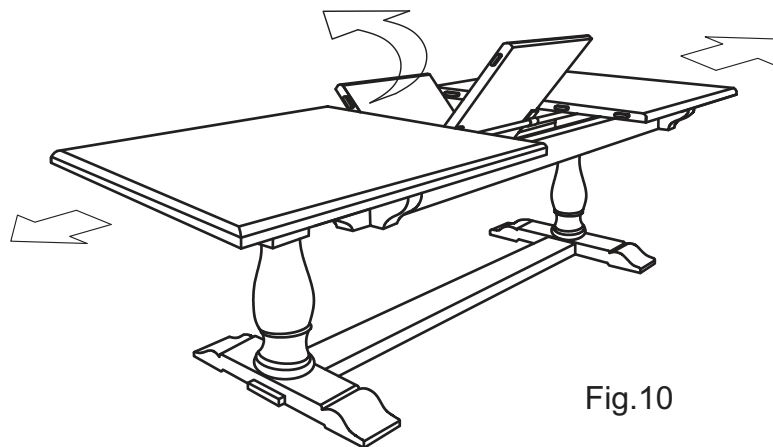
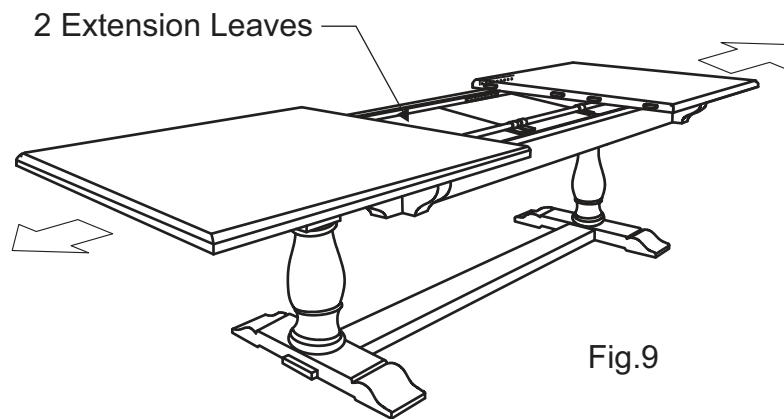
Fig.8

Finally re - tighten the 8 bolts from underneath.

RECTANGULAR PEDESTAL DINING TABLE (EXTENDING BUTTERFLY DINING TABLE WITH 2 LEAVES) REN009 Assembly Instruction

Step 4 - (1 Leaf Open)

Unlock and open the table mechanism and you will find 2 extension leaves.
Place one of the extension into the table noting the positions of the locating tenons.
Push the main leaves back together ensuring the pins locate into the holes.



RECTANGULAR PEDESTAL DINING TABLE (EXTENDING BUTTERFLY DINING TABLE WITH 2 LEAVES) REN009 Assembly Instruction

Step 5 - (2 Leaf Open)

Open the table mechanism and you will find 1 extension leaf.
Place the extension into the table noting the positions of the locating tenons.
Push the main leaves back together ensuring the pins locate into the holes.

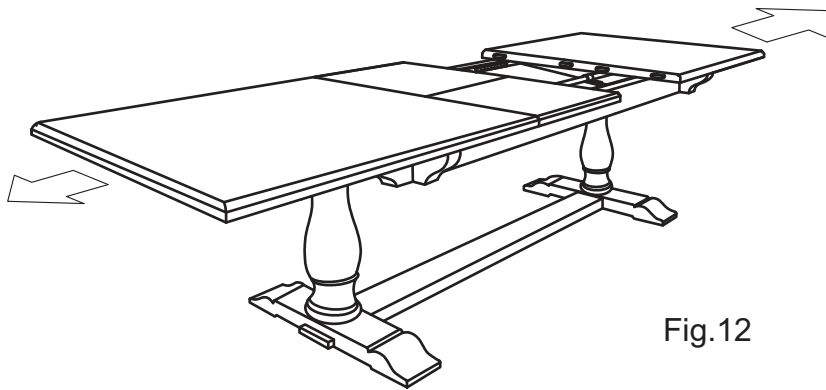


Fig.12

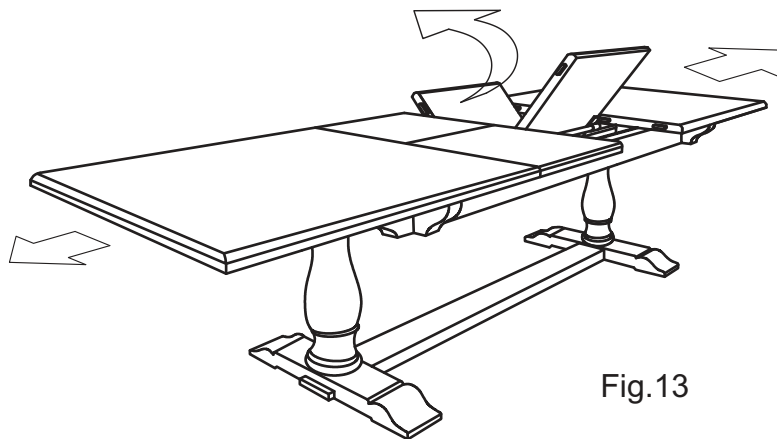


Fig.13

2 Leaf Open

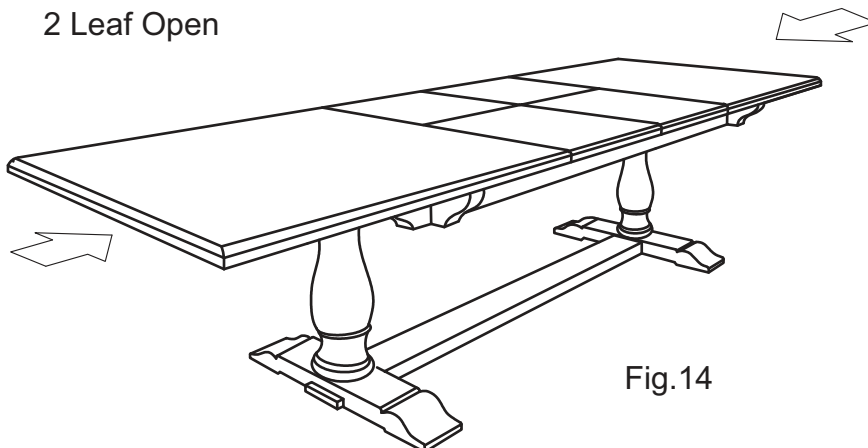


Fig.14