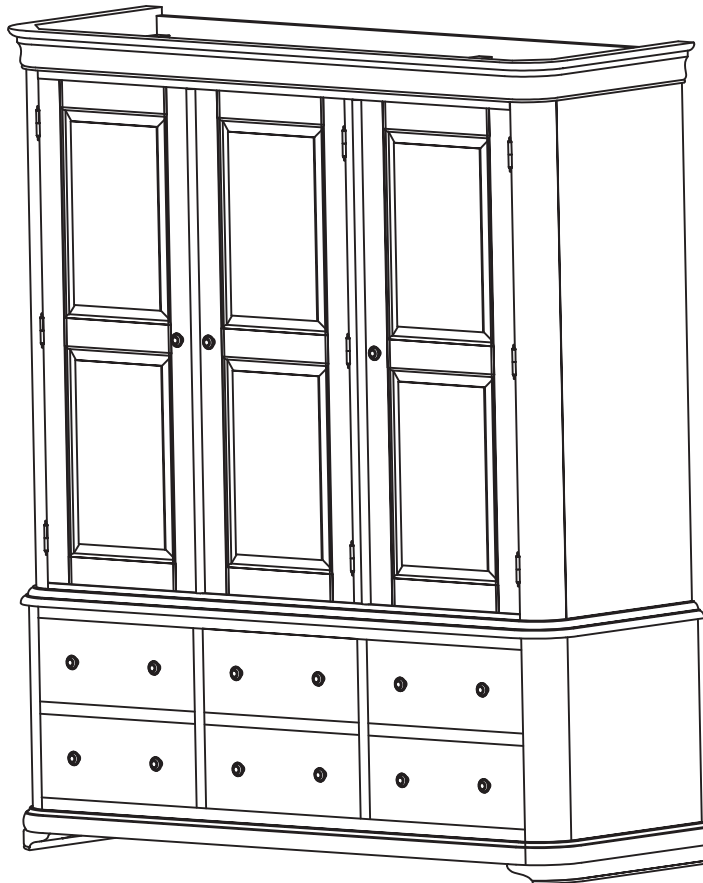


RB 08 (3 Door Robe with Drawer)

Thank you for buying our product

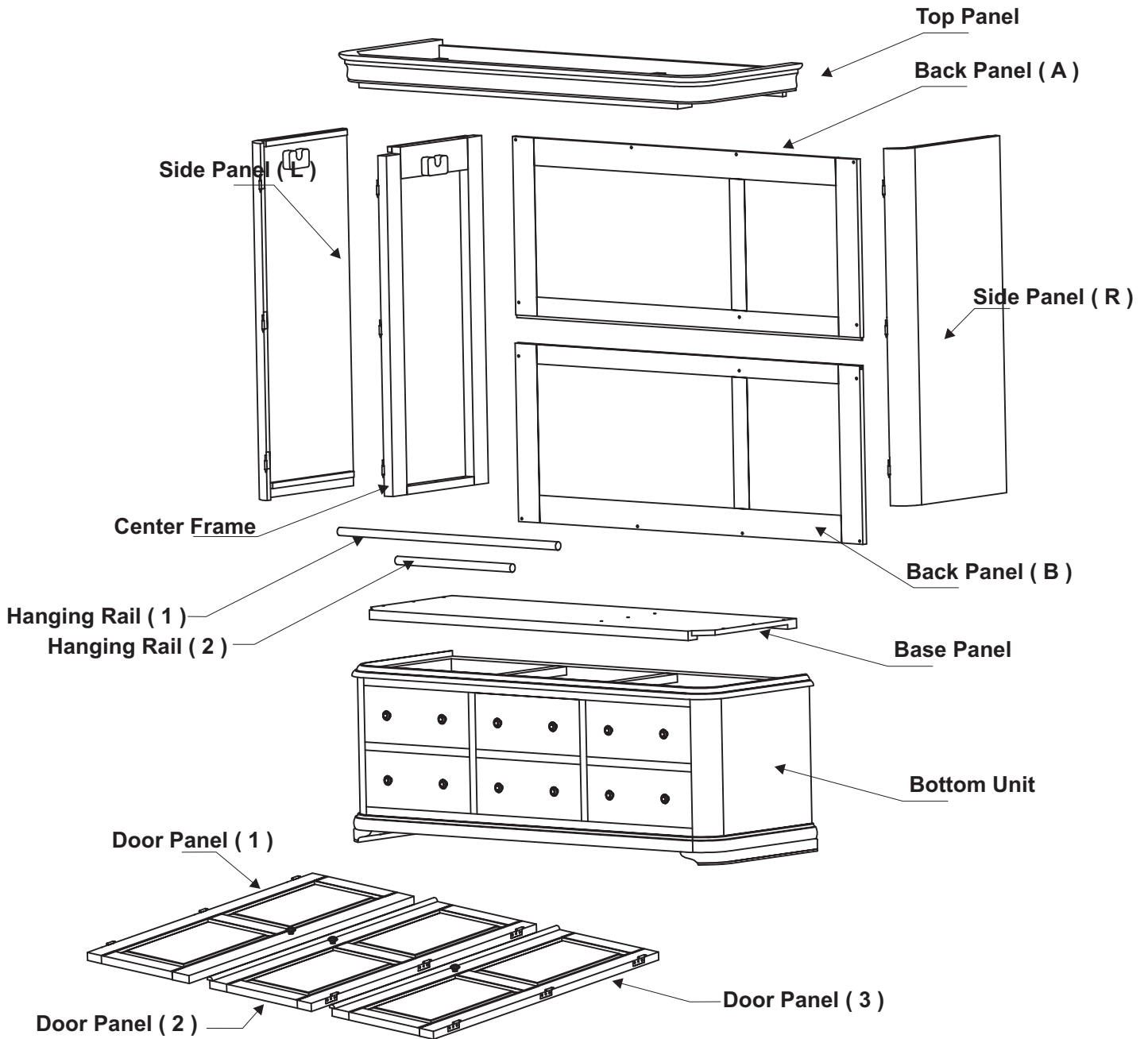


Step By Step Assembly Instructions

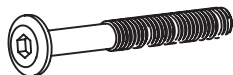

PRE-ASSEMBLY PREPARATION

1. Please check the pack contents before attempting this product.
A full checklist of component is given in this leaflet. If any component are missing, please contact the retailer from whom you bought this product.
2. This product is **heavy**, it should be assembled as near as possible to the point of use.
TAKE CARE WITH LIFTING to avoid personal injury and (or) damage to the product.
3. This product takes approximately 30 minutes to assemble with 2 people.
4. This product already contain fitting which should be :
“ KEPT AWAY FROM YOUNG CHILDREN “
5. Read this leaflet in full before commencing assembly.

RB 08 (3 Door Robe with Drawer)

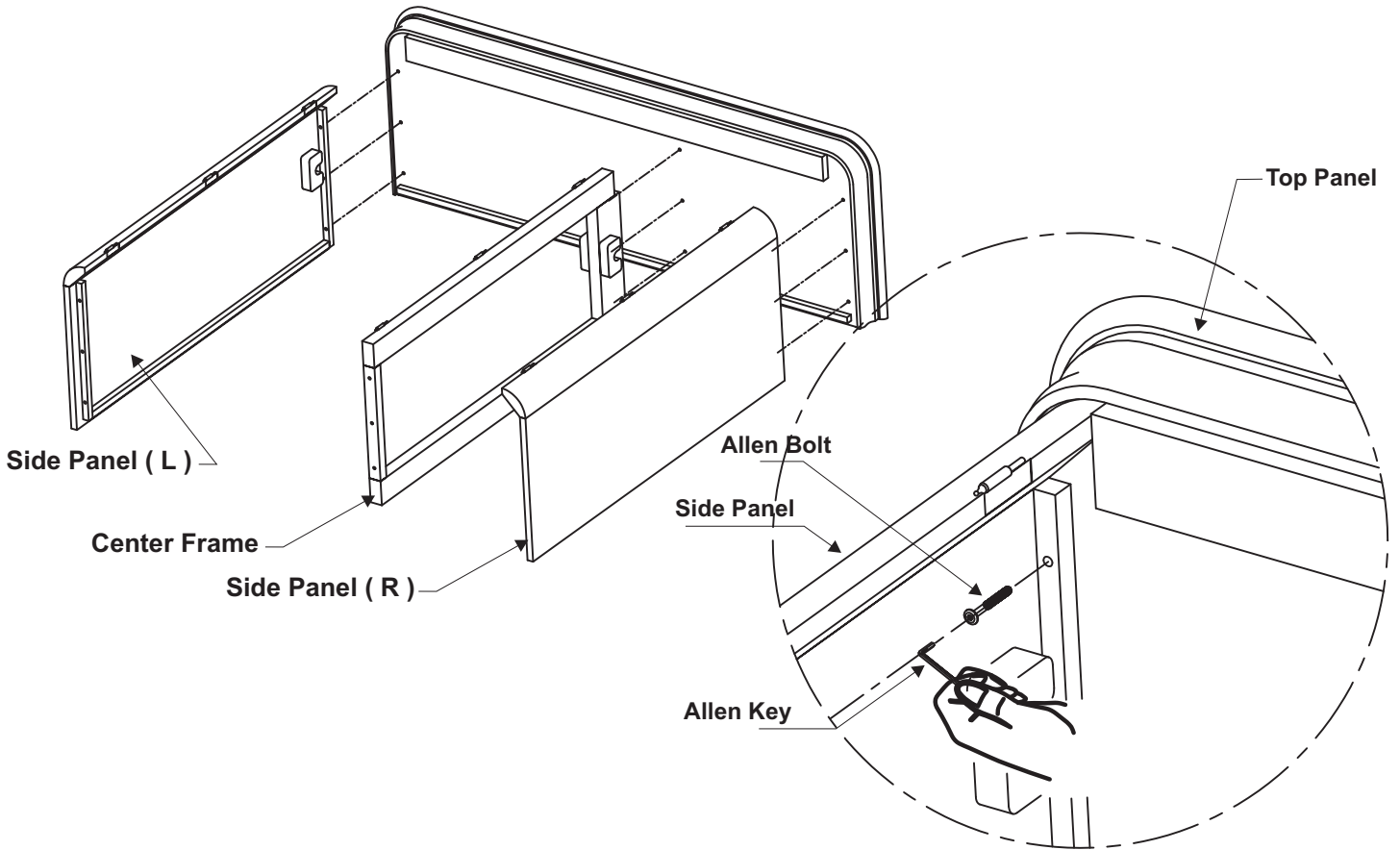


HARDWARE IDENTIFICATION

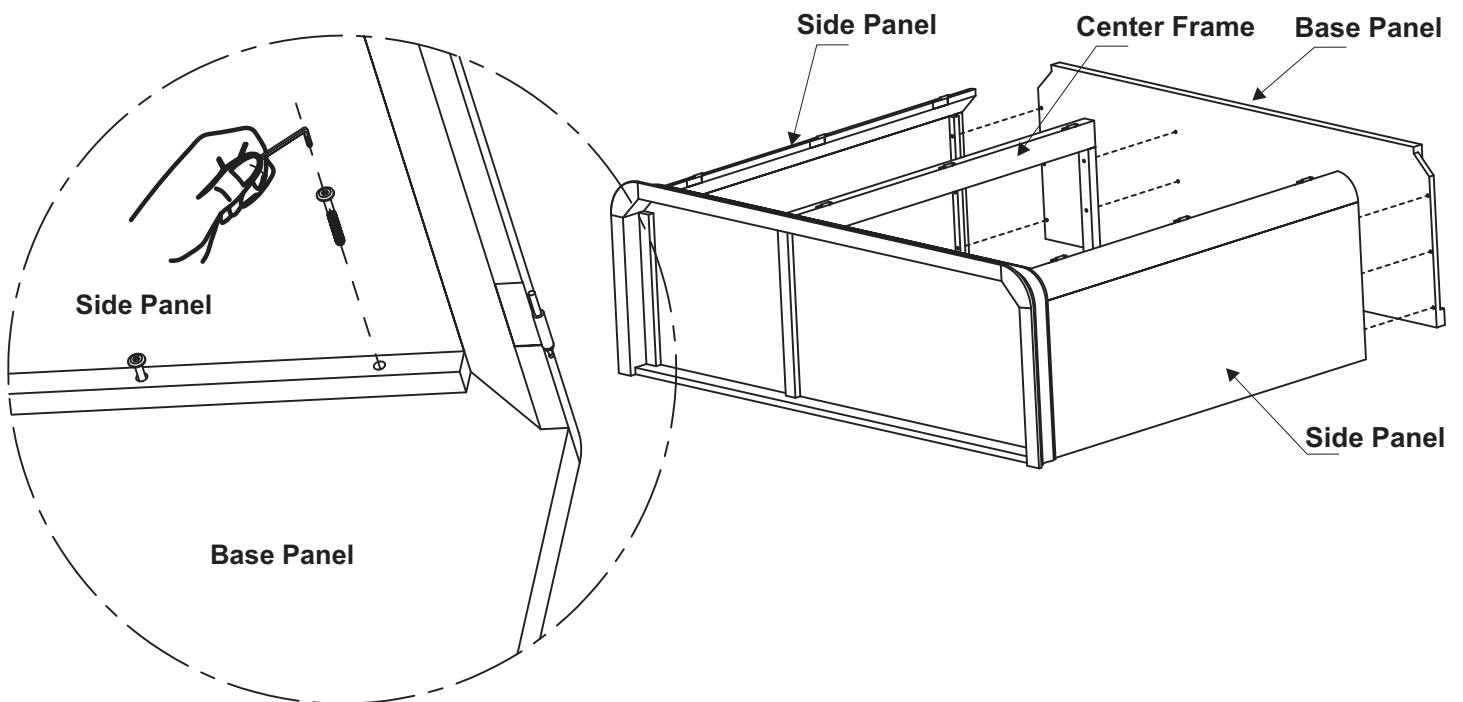
ITEM	DESCRIPTION	QTY
A	 ALLEN BOLT M6 X 50mm	32
B	 ALLEN KEY	1

RB 08 (3 Door Robe with Drawer)

1. Top Panel, Side Panel and Center Frame Assembly

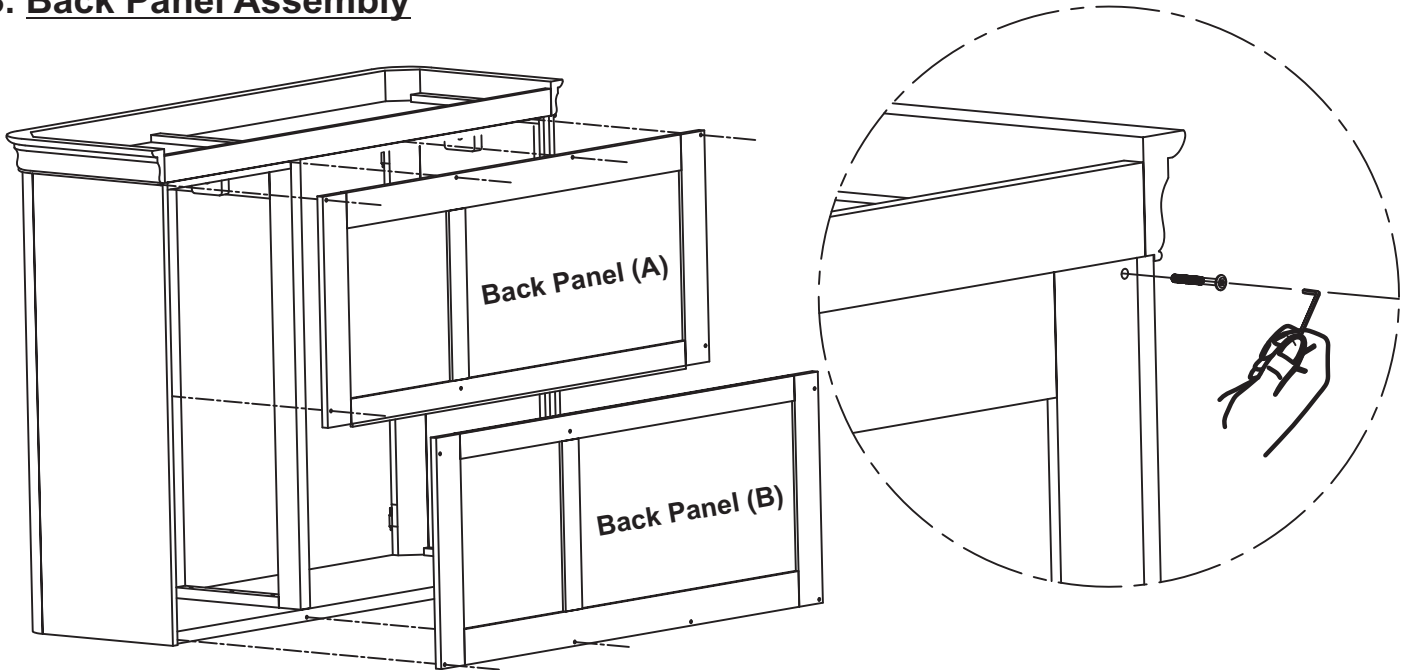


2. Base Panel Assembly

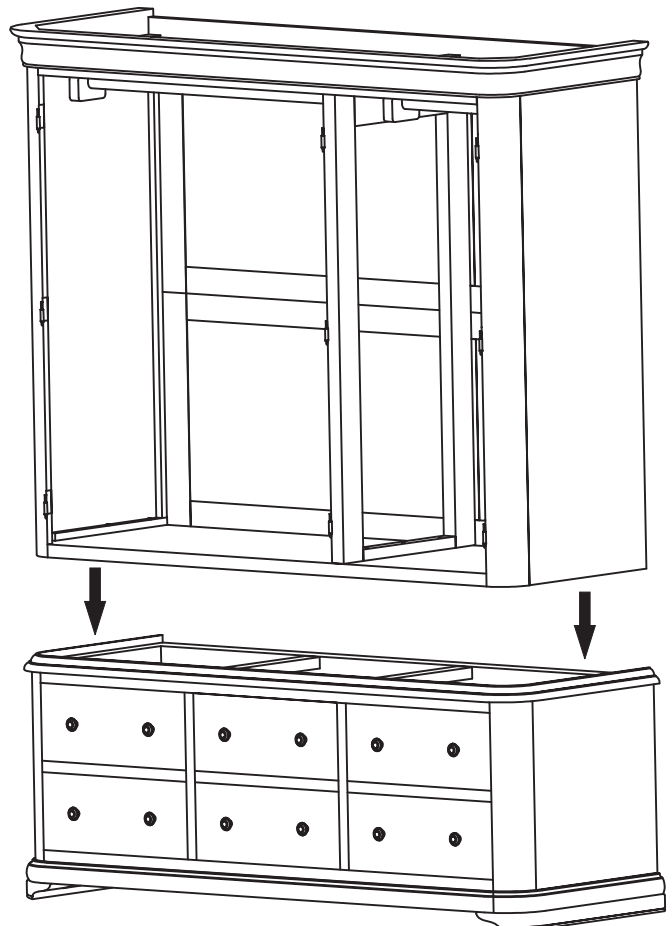


RB 08 (3 Door Robe with Drawer)

3. Back Panel Assembly



4. Upper and Base Unit Assembly



RB 08 (3 Door Robe with Drawer)

5. Door Panel Assembly

