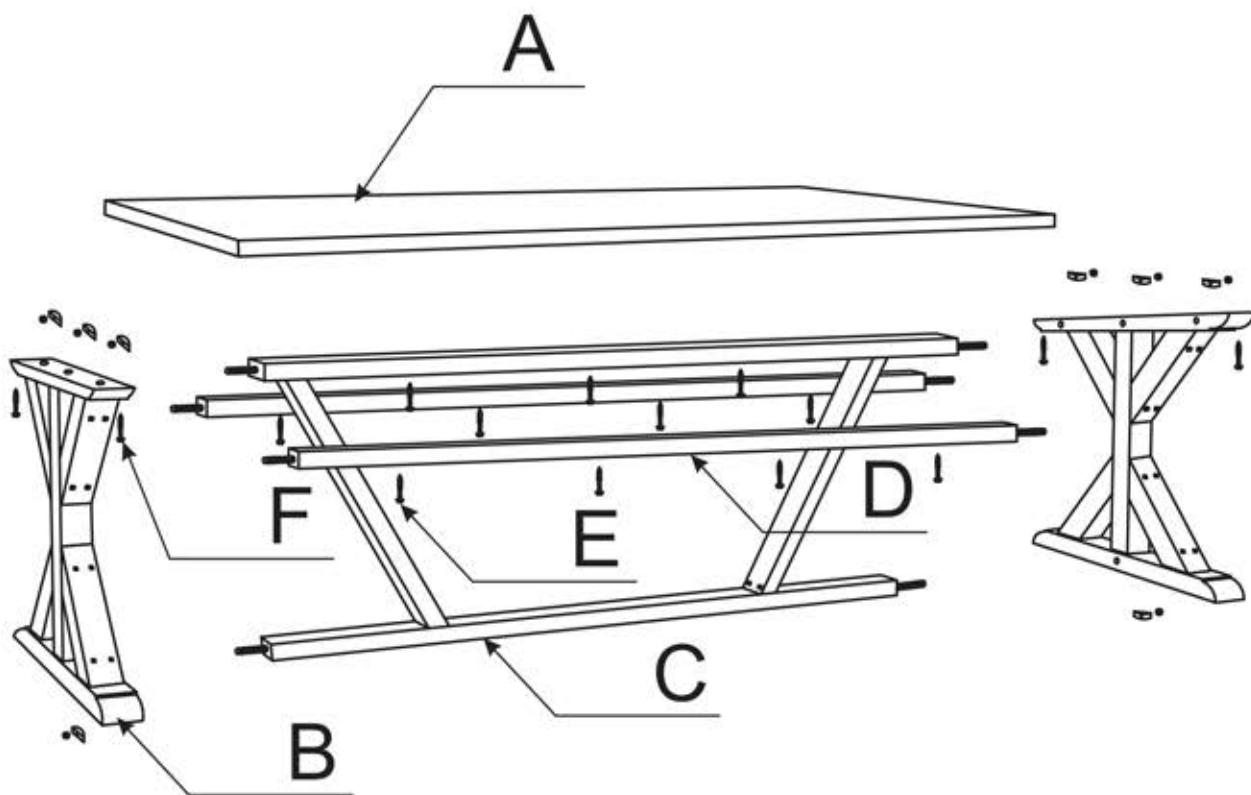


Step By Step Assembly Instructions

PRE-ASSEMBLY PREPARATION

1. Please check the pack contents before attempting to assemble this product.
A full checklist of components is given in this leaflet. If any components are missing, please contact the retailer from whom you bought this product.
2. This product is **Heavy**, it should be assembled as near as possible to the point of use.
TAKE CARE WHEN LIFTING to avoid personal injury and (or) damage to the product.
3. This product takes approximately **35 minutes** to assemble with 2 people.
4. This product already contains fitting which should be :
“ KEPT AWAY FROM YOUNG CHILDREN “
5. Read this leaflet in full before commencing assembly.



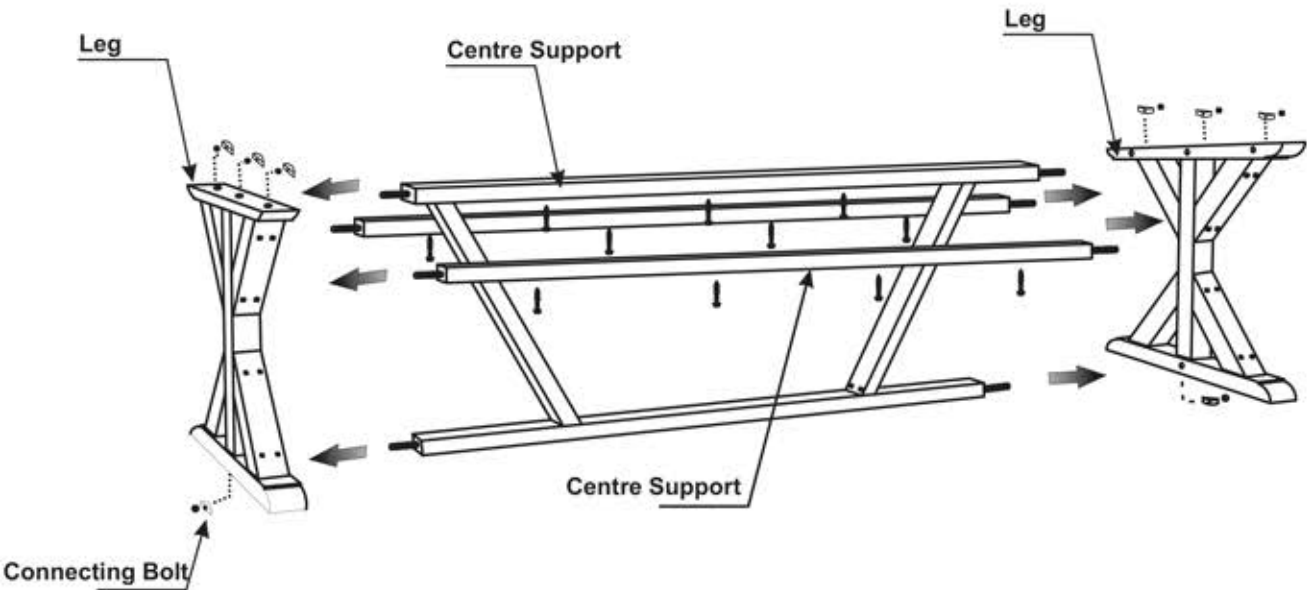
Panel and Fittings Identification

Item	Description	Qty.	Item	Description	Qty.	Item	Description	Qty.
A	Top Table	1	B	Leg	2	C	Centre Support	1
D	Side Support	2	E	Nut Screw	12	F	Screw & Ring Washer	8
	Bolt Connecting (Embedded in Support)	8						

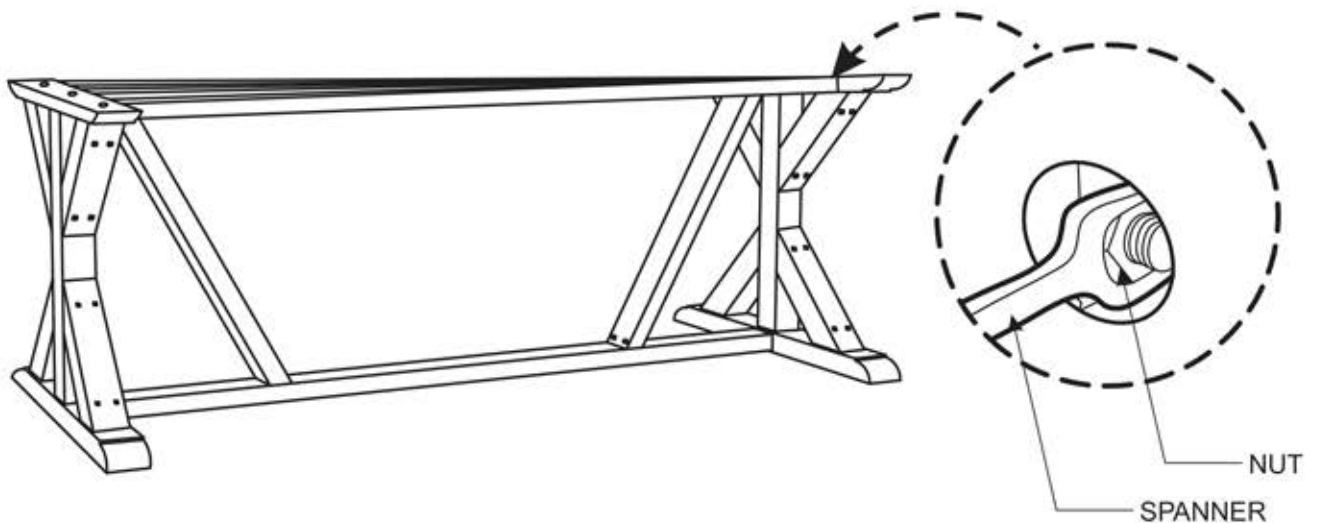
1. HEADBOARD AND SIDE RAIL ASSEMBLY

Step 1

1. "1 / 2" marked on leg must be matched with "1/2" marked on centre support.

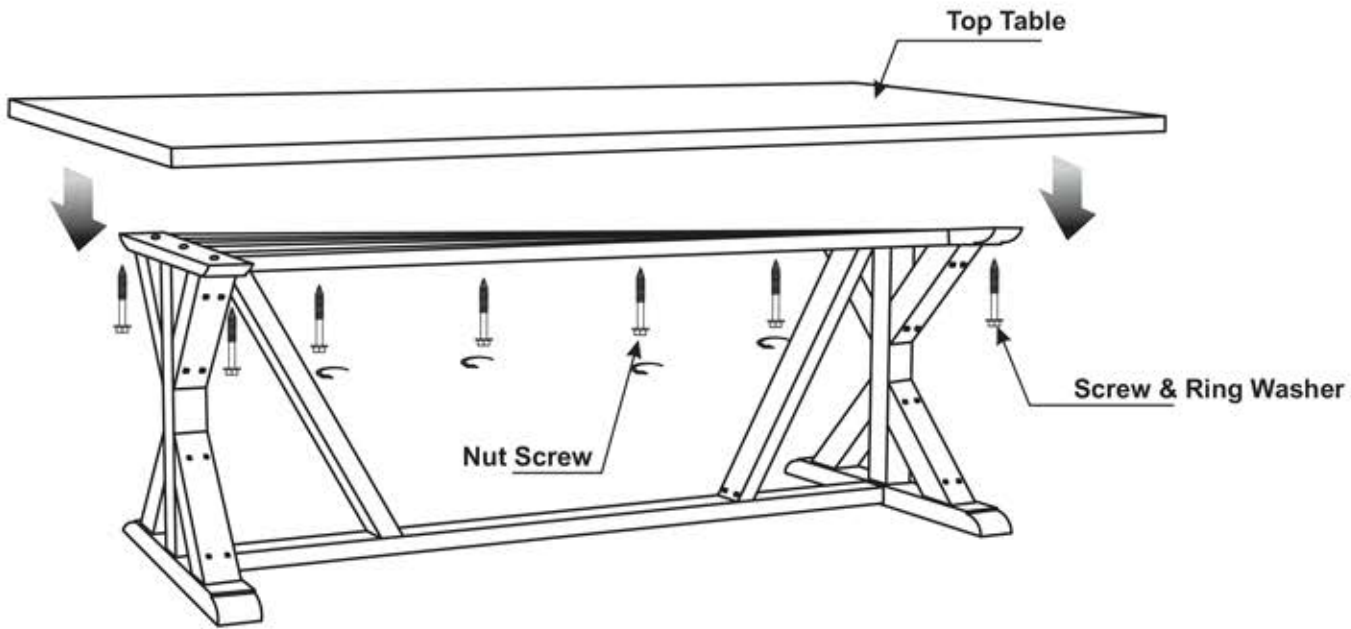


2. After all matched, hardware connecting bolt turn clockwise until tightened.



3. TOP TABLE ASSEMBLY

- Insert the Nut Screw into Centre Support and top table after this turn clockwise nut screw with spanner until thighten
- Insert the Nut Screw into Side Support (same system step on top)



DONE !

