

*Thank you for buying our product*



---

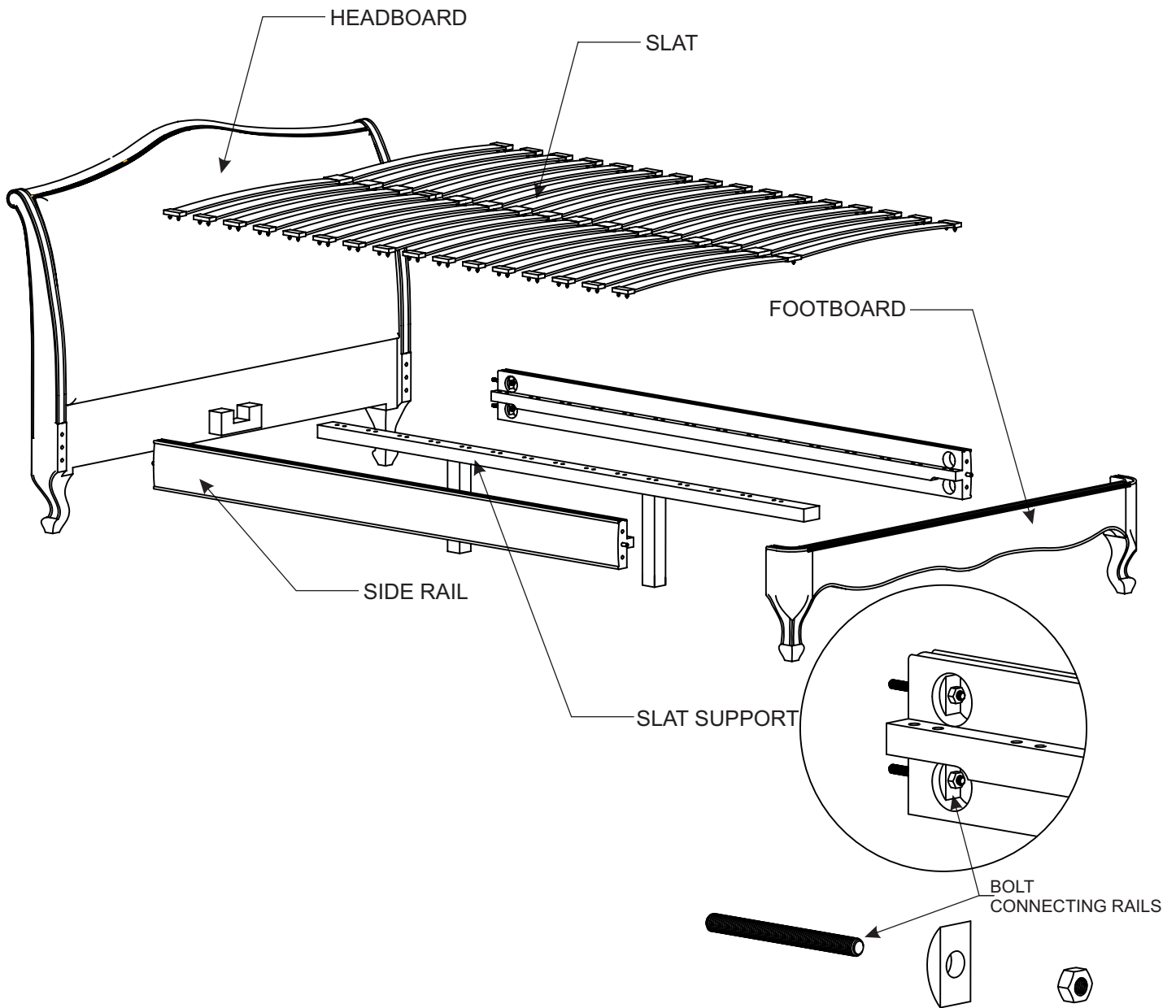
## Step By Step Assembly Instructions

---

### PRE-ASSEMBLY PREPARATION

1. Please check the pack contents before attempting this product.  
A full checklist of component is given in this leaflet. If any component are missing, please contact the retailer from whom you bought this product.
2. This product is **heavy**, it should be assembled as near as possible to the point of use.  
**TAKE CARE WITH LIFTING** to avoid personal injury and (or) damage to the product.
3. This product takes approximately **45 minutes** to assemble with 2 people.
4. This product already contain fitting which should be :  
“ **KEPT AWAY FROM YOUNG CHILDREN** “
5. Read this leaflet in full before commencing assembly.

# Mistral Bed 151cm / 181 cm ( MST01 ) Assembly Instruction



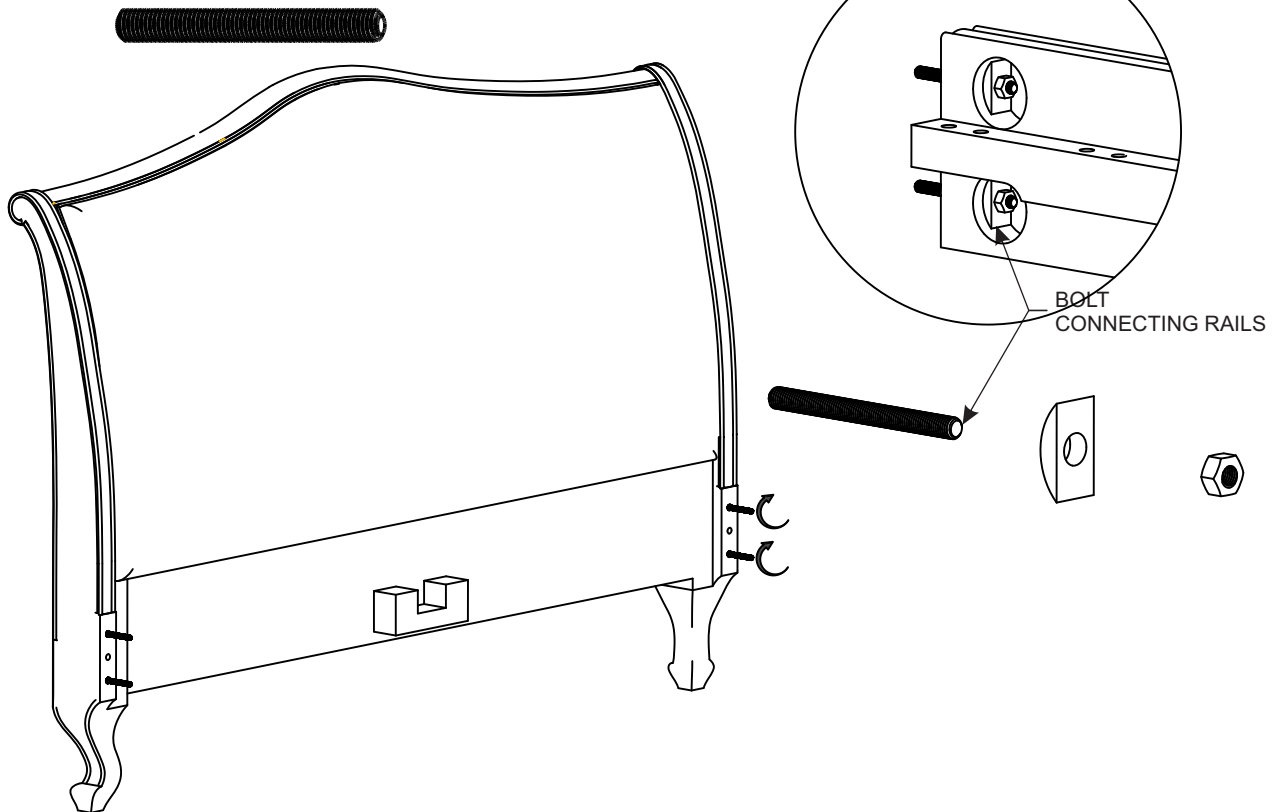
## HARDWARE IDENTIFICATION

ITEM	DESCRIPTION	Qty
A	HEADBOARD	1
B	FOOTBOARD	1
C	SIDE RAILS	2
D	SLATS	42
E	SLATS SUPPORT	1
F	BOLT CONNECTING RAIL (Embedded in side rail)	8

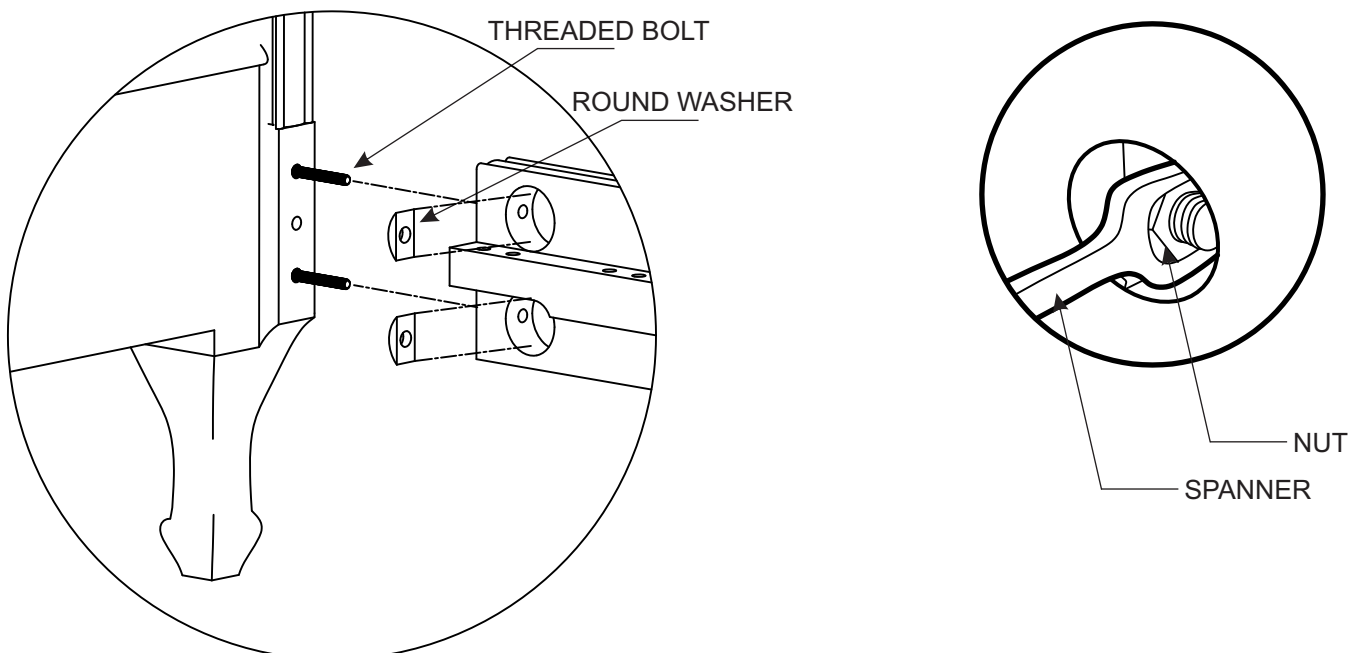
# Mistral Bed 151cm / 181 cm ( MST01 ) Assembly Instruction

- Step 1**
- Remove Bolt Connecting rail from the Side Rail by hand.
  - Screw the eight threaded bolt into the Headboard an Footboard then tighten by hand.

**Fitting** : Threaded Bolt

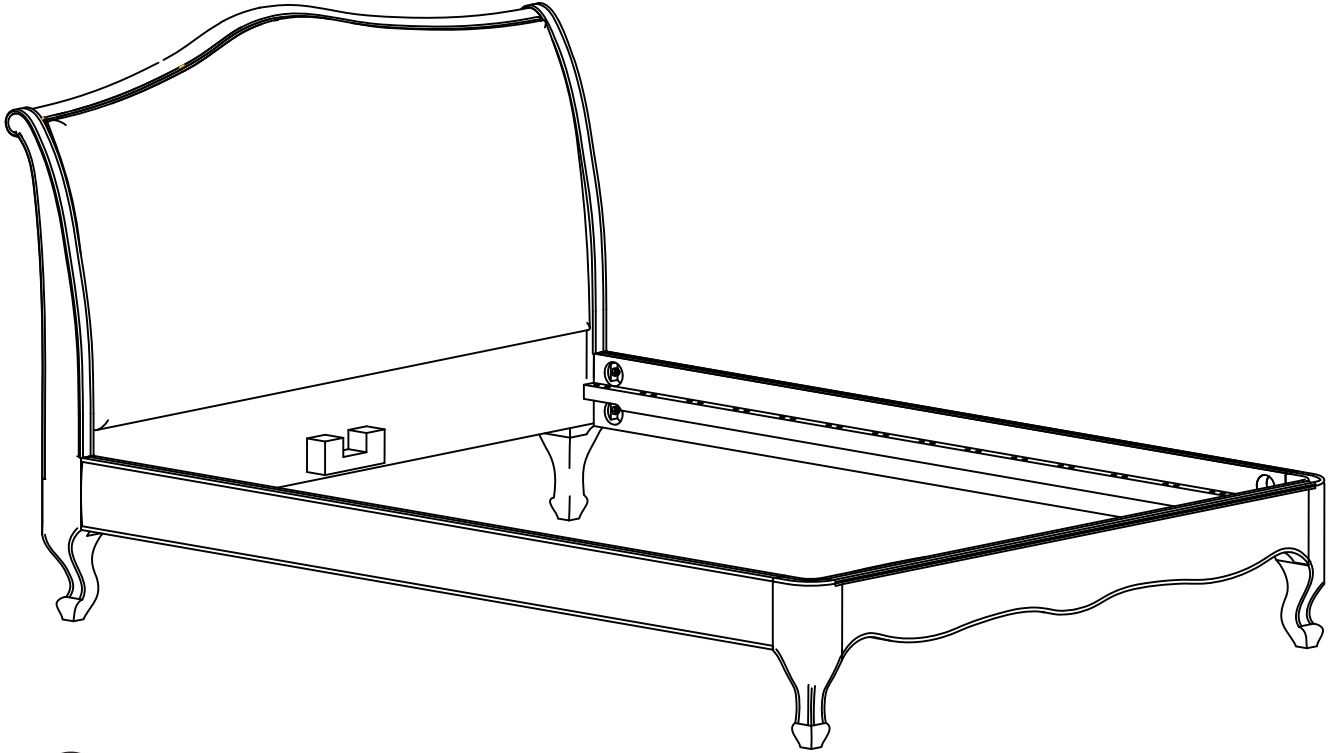


- Step 2**
- Locate the side rails onto the threaded bolt protruding from the Headboard.
  - Locate round washer and nut onto the threaded bolt and secure by hand at first.
  - Tighten evenly using the open end spanner (Not provided)

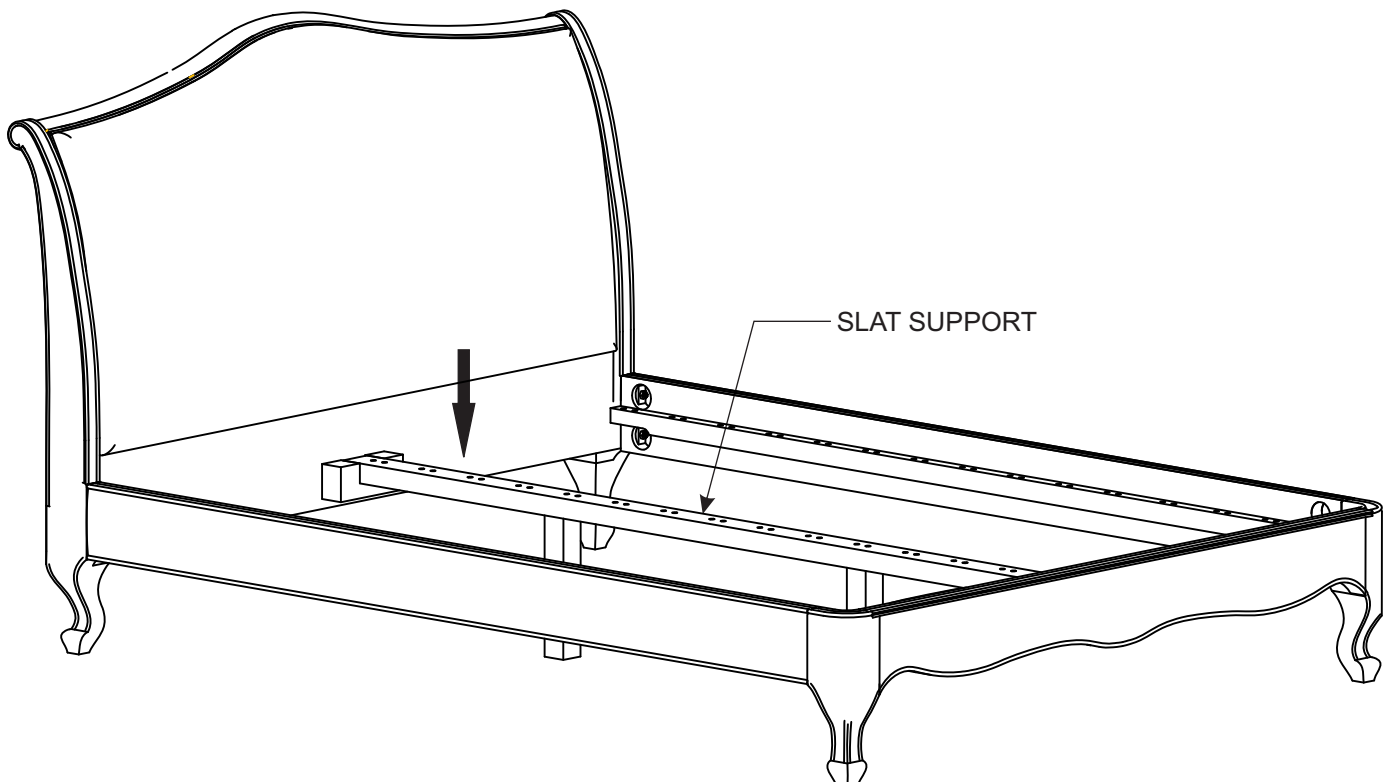


# Mistral Bed 151cm / 181 cm ( MST01 ) Assembly Instruction

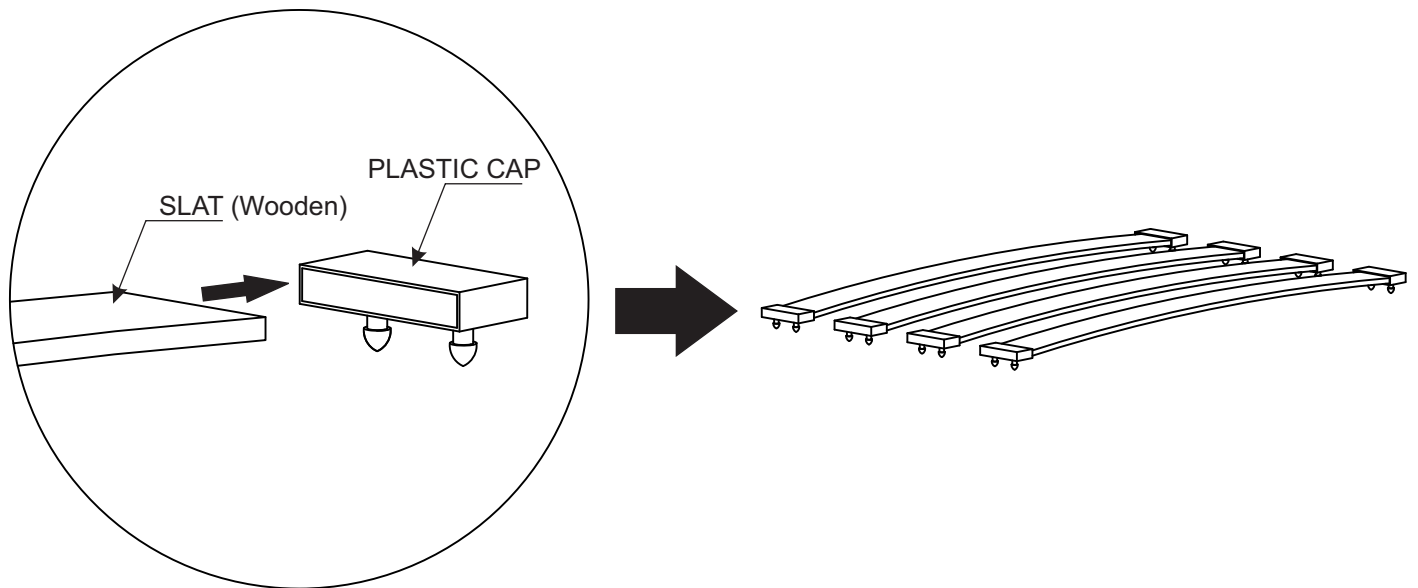
- Step 3** - Locate the side rails onto the threaded bolt protruding from the Footboard. Locate round washer and nut onto the threaded bolt and secure by hand at first. Tighten evenly using the open end spanner (Not provided)



- Step 4** - Locate the Slat Support into the wooden brackets.



# Mistral Bed 151cm / 181 cm ( MST01 ) Assembly Instruction



- Step 5** - Locate the Slats onto side rail cleat then push fit the plastic cup slat onto either holes of the Side Rails and Slat support. Repeat this step with the other slat holes. The assembly is now complete.

