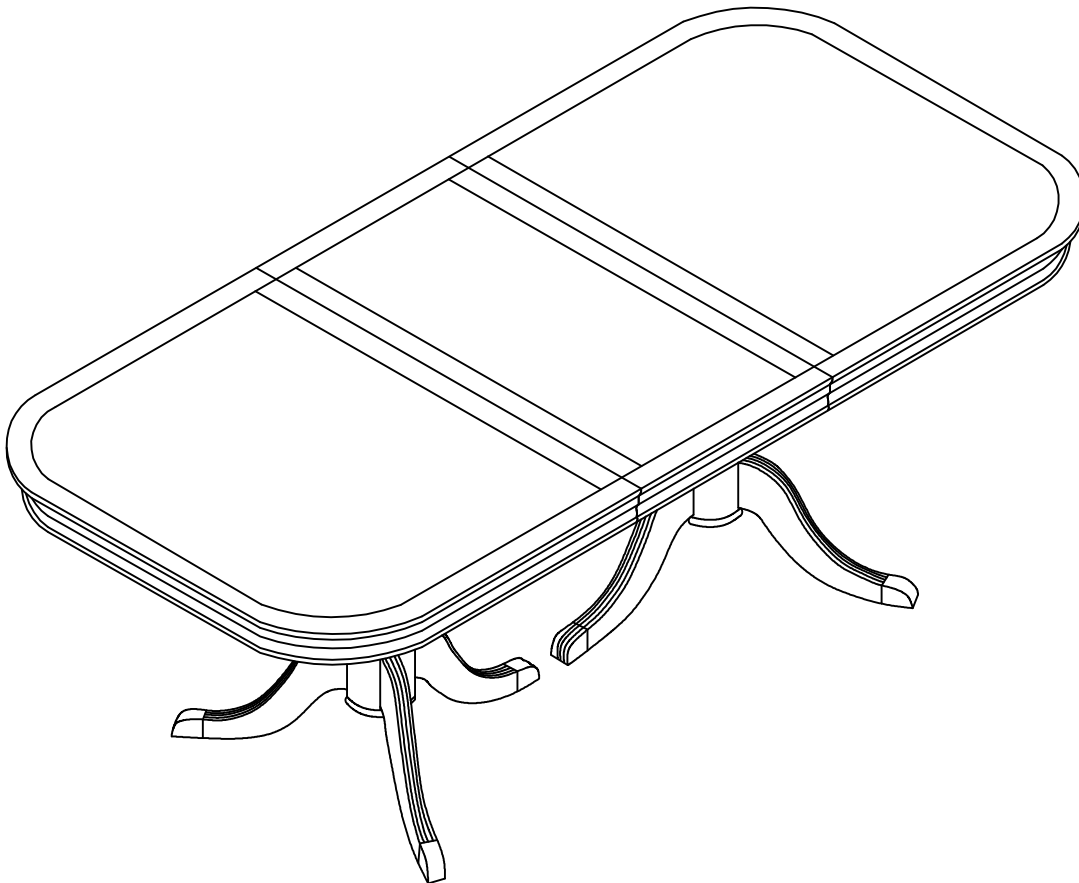


Versaille Extending Dining Table MP01 Assembly Instruction

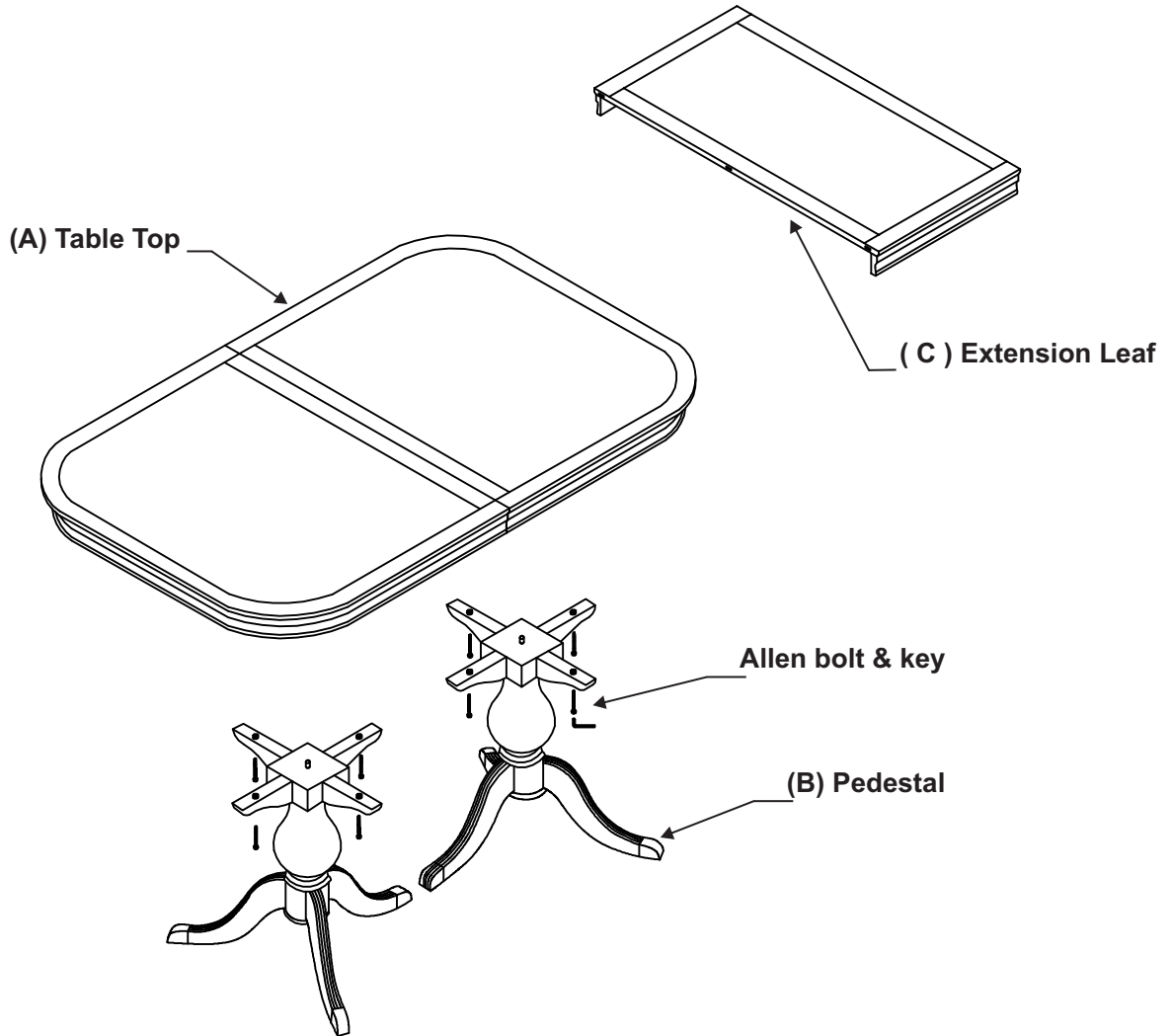


Step By Step Assembly Instructions

PRE-ASSEMBLY PREPARATION

1. Please check the pack contents before attempting to assemble this product.
A full checklist of components is given in this leaflet. If any components are missing, please contact the retailer from whom you bought this product.
2. This product is **VERY HEAVY**, It should be assembled as near as possible to the point of use. **TAKE CARE WHEN LIFTING** to avoid personal injury and (or) damage to the product.
3. This product takes approximately 60 minutes to assemble with 3 people.
4. The fitting pack contains **SMALL ITEMS** which should be :
“**KEPT AWAY FROM YOUNG CHILDREN**“
5. Read this leaflet in full before commencing assembly.
6. You will require an Allen Key (provided) to assembly this product.

Versaille Extending Dining Table MP01 Assembly Instruction



HARDWARE IDENTIFICATION		
ITEM	DESCRIPTION	Qty
A	Table Top	1
B	Pedestal	2
C	Extension Leaf	1
D	Allen Key	1
E	Allen Bolt M6 x 50mm	8
F	Washer	8

Versaille Extending Dining Table MP01 Assembly Instruction

Step 1

Place protective cardboard or blankets on the floor (make sure there is no debris) and place the top of the table upside down (Fig.1)

Align the legs as shown below (i.e the single leg pointing inwards), whilst ensuring that the dowel align to the hole in the table top.

There are 2 x Table leg marked clearly with white stickers (1 and 2).

Underneath the table, there are corresponding marks (1 and 2).

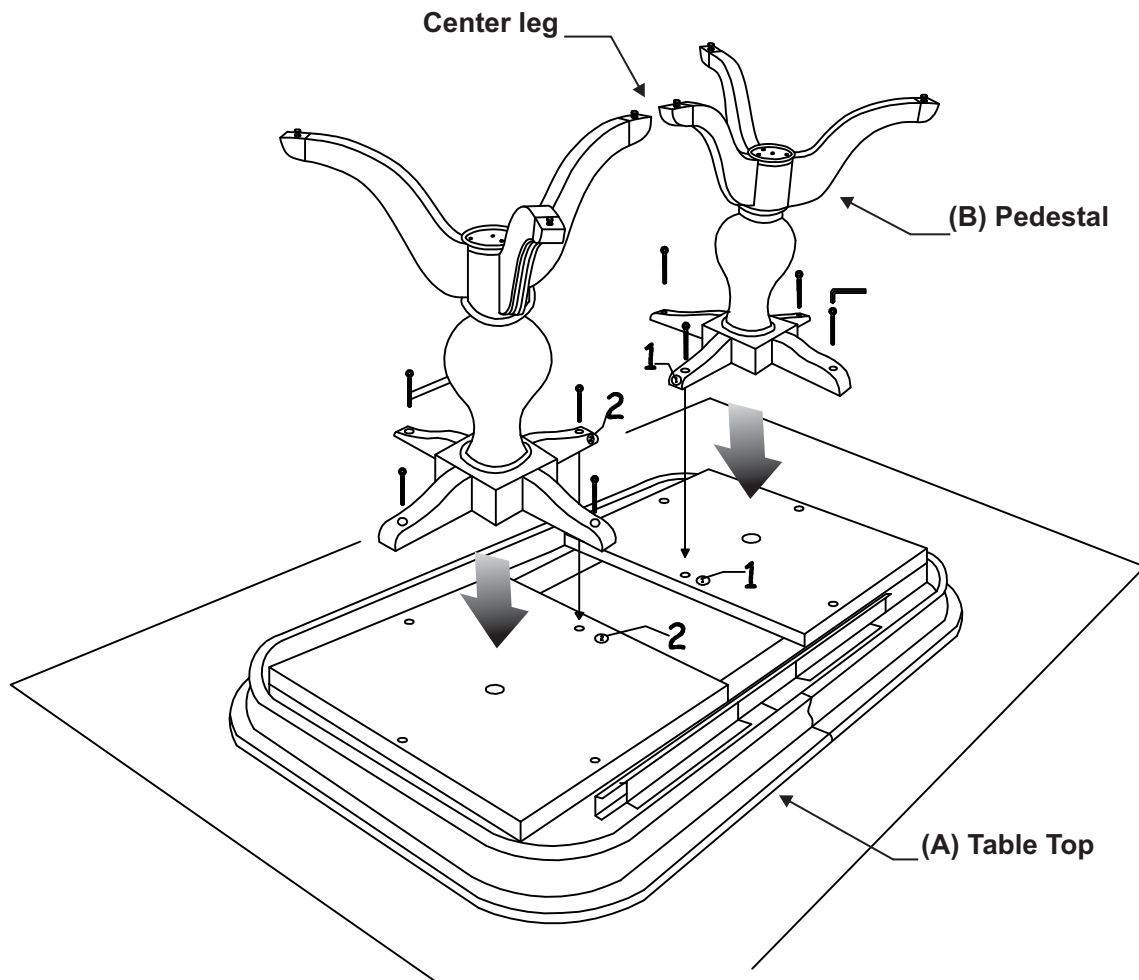


Fig.1 (Shows the table upside down on the floor ready for assembling)

Versaille Extending Dining Table MP01 Assembly Instruction

Step 2

Fit the pedestal table leg (1) to underside of table marked (1), Tighten the Allen bolts firmly using Allen key (make sure with the washer) and do the same way for the other pedestal leg (2) to underside of table (2).

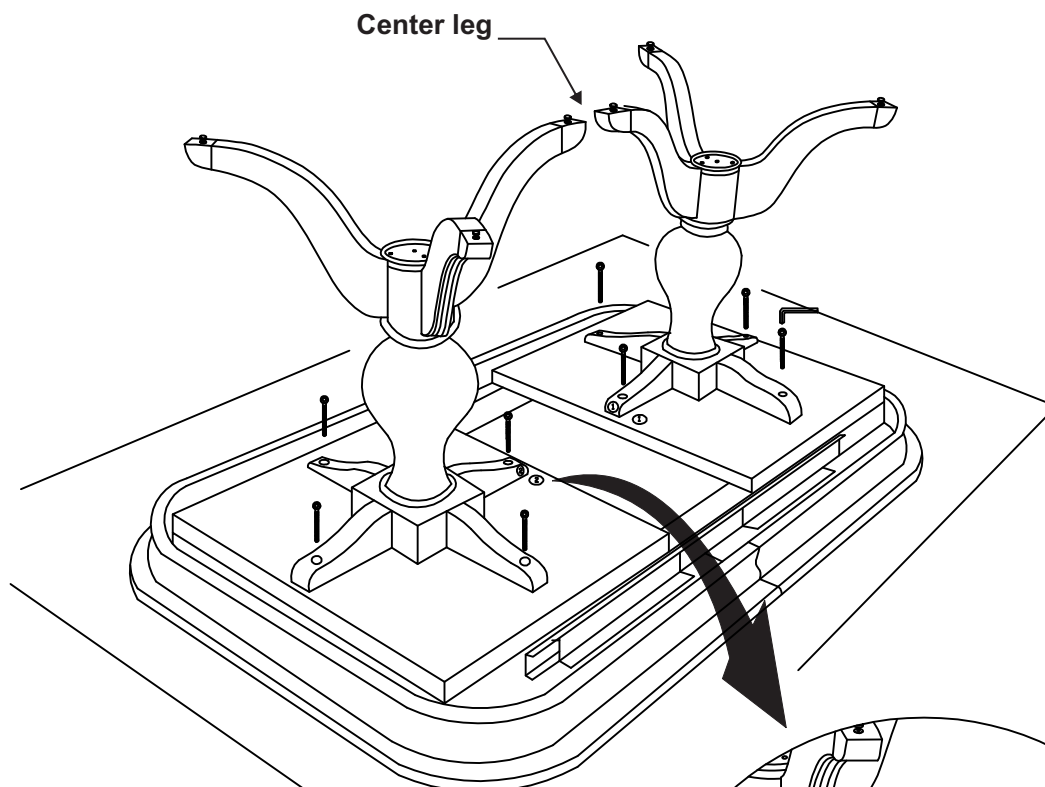
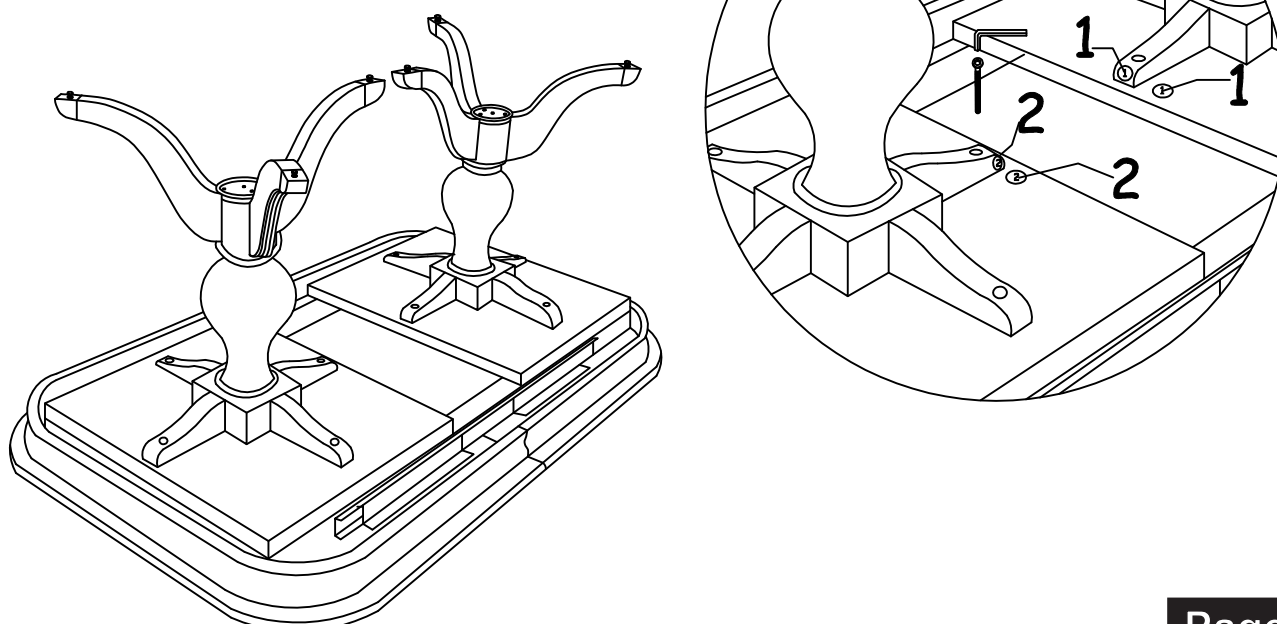


Fig.2 (Shows marks clearly with white stickers)

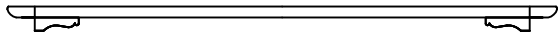


Versaille Extending Dining Table MP01 Assembly Instruction

Step 3

To extend table, firstly ensure that the unlock the runner mechanism on the underside of the table, and the table leaves are pulled apart to their maximum. Carefully lift the leaf from inside the table top and then fold the skirts down as shown in diagram below.

Skirt Close



Skirt Open

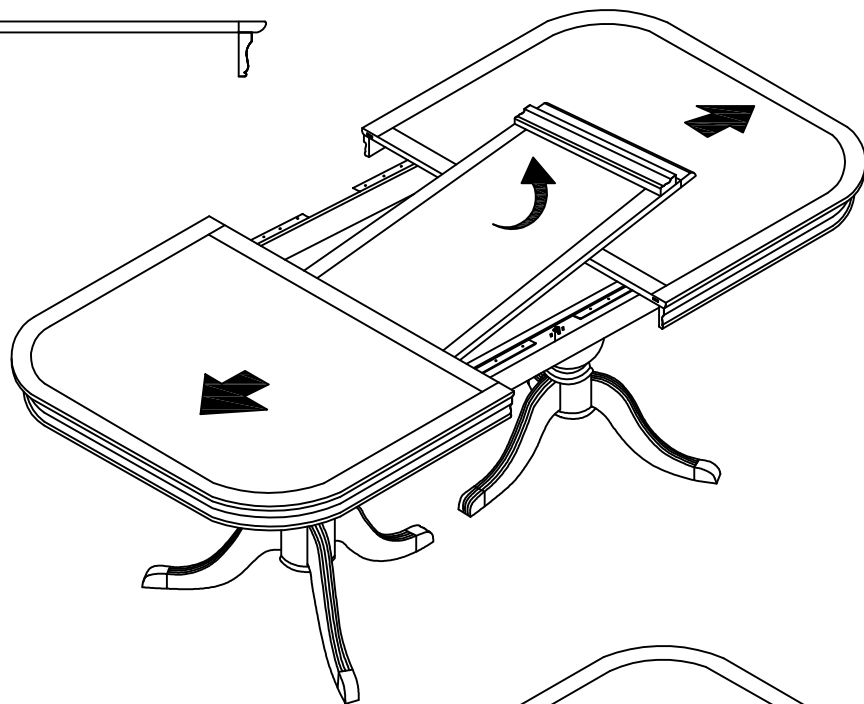
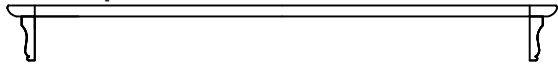
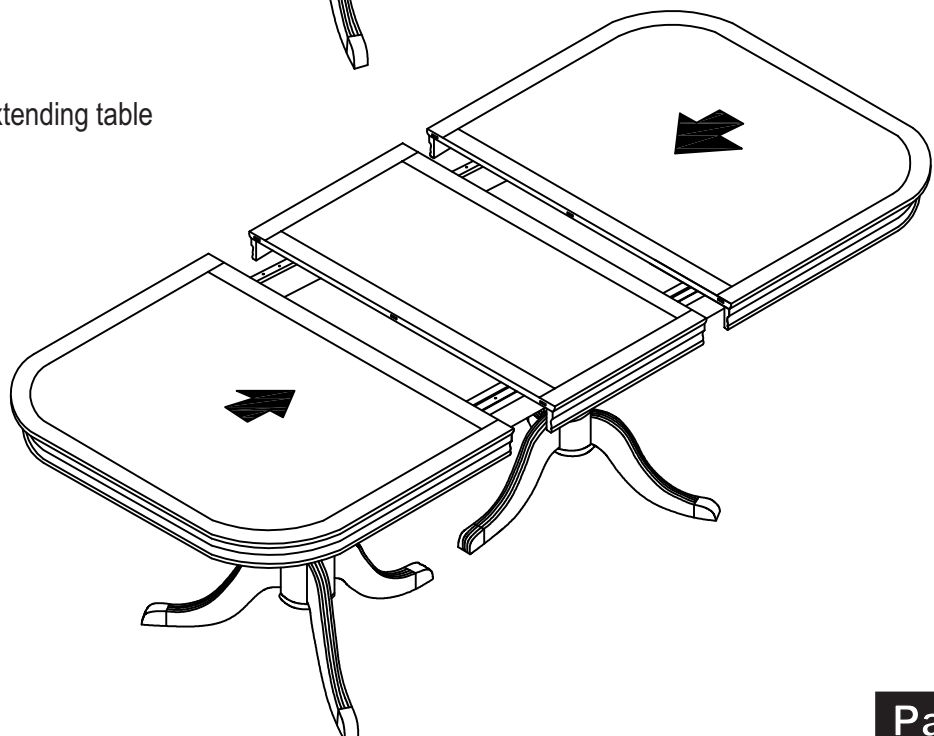


Fig.3 Shows instructions on extending table



DONE !