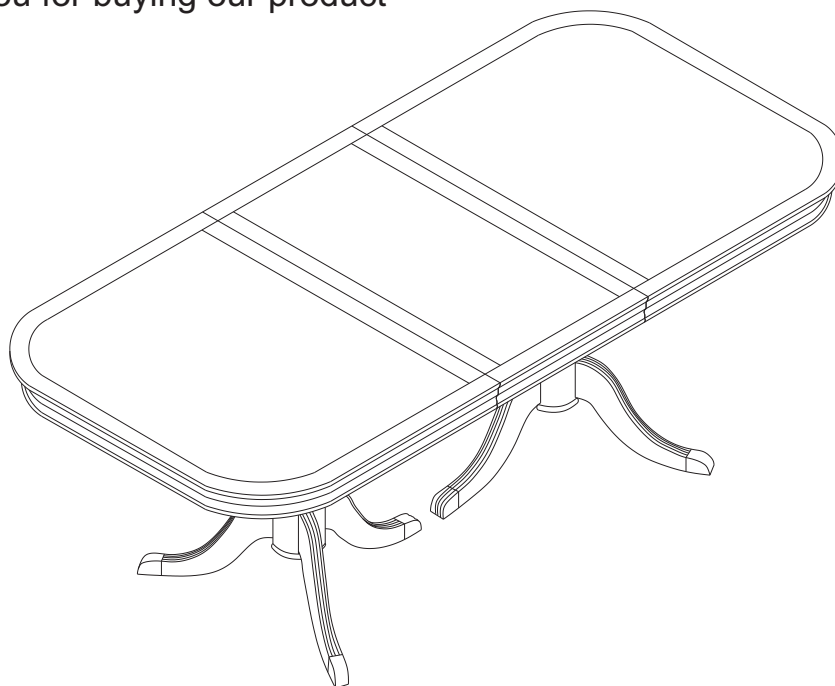

MONTPELLIER DINING COLLECTION

160/180 Cm Large Extending Table (Product Code MO / 2875M / NNN)

Thank you for buying our product



Step By Step Assembly Instructions

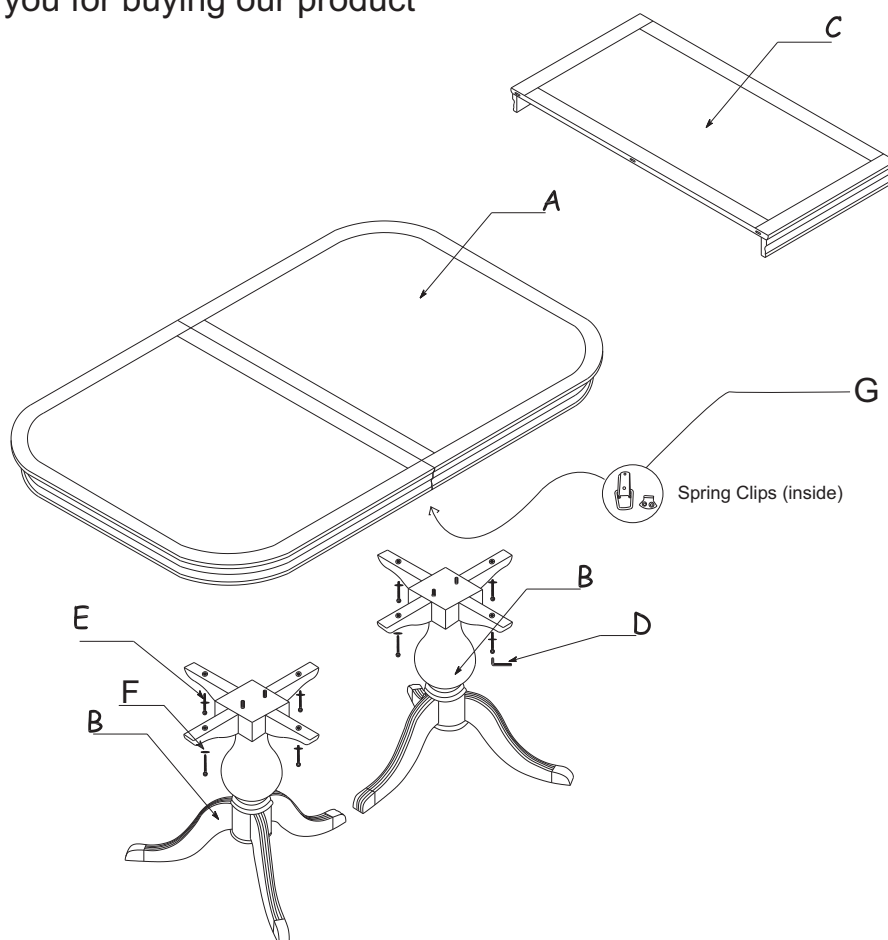
PRE-ASSEMBLY PREPARATION

1. Please check the pack contents before attempting this product. A full checklist of components is given in this leaflet. If any components are missing, please contact the retailer from whom you bought this product.
2. This product is **VERY HEAVY**, it should be assembled as near as possible to the point of use. **TAKE CARE WHEN LIFTING** to avoid personal injury and (or) damage to the product.
3. This product takes approximately 60 minutes to assemble with 3 people.
4. The fitting pack contain **SMALL ITEM** which should be **KEPT AWAY FROM YOUNG CHILDREN**
5. Read this leaflet in full before commencing assembly.
6. You will require an Allen Key (provided) to assemble this product.

MONTPELLIER DINING COLLECTION

160/180 Cm Large Extending Table (Product Code MO / 2875M / NNN)

Thank you for buying our product



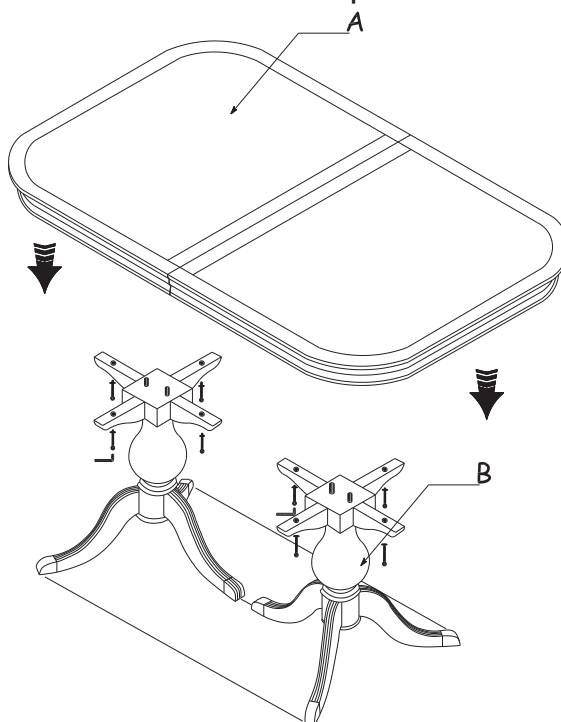
Panel and Fittings Identification

Item	Description	Qty
A	Table Top	1
B	Pedestal	2
C	Extension Leaf	1
D	Allen Key	1
E	Bolt \varnothing 5 mm L : 5 Cm	8
F	Washer	8
G	Spring Clips	4

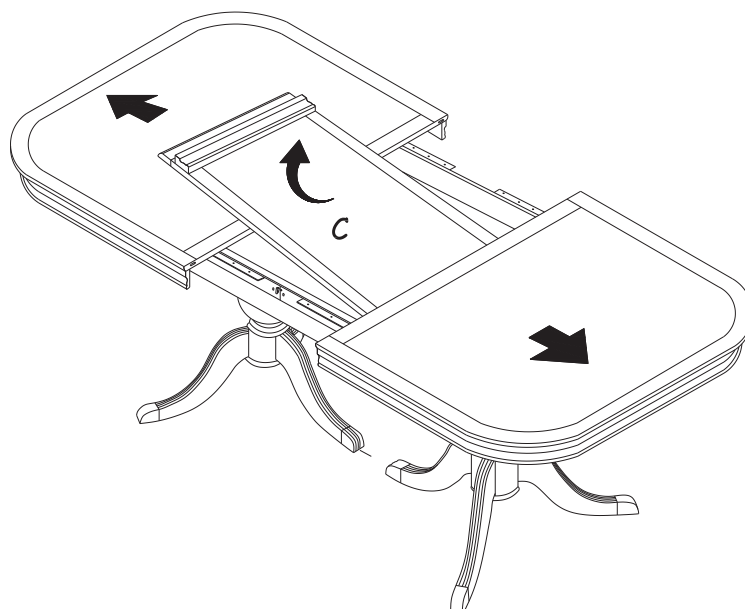
MONTPELLIER DINING COLLECTION

160/180 Cm Large Extending Table (Product Code MO / 2875M / NNN)

- Step 1** - With the help of 3 assistants locate the pedestals onto the underside of the table top. Align the legs as shown below (i.e the single leg pointing inwards), whilst ensuring that the dowels align to the holes in the table top.



- Step 2** - To extend table, firstly ensure that the spring clips on the underside of the table are un-done and the table leaves are pulled apart to their maximum. Carefully lift the leaf from inside the table top and then fold the skirts down as shown in diagram below.



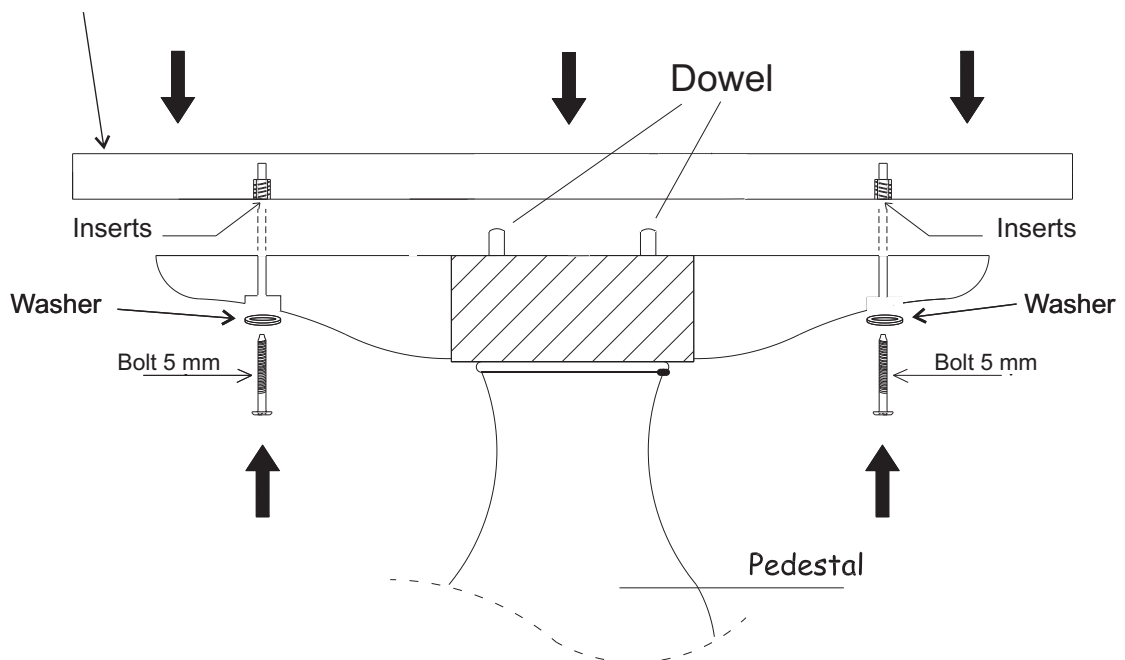
MONTPELLIER DINING COLLECTION

160/180 Cm Large Extending Table (Product Code MO / 2875M / NNN)

- Step 3** -To secure the pedestals, use the eight bolts with washers inserted up through the pedestal pilot holes and into the inserts located in the pedestal attachment plates. (Please refer to diagram below) Tighten all eight bolts using Allen key provided. Secure the sliding table tops together, using the spring clips on the underside of the table. Refer to Step 1 and Step 4 for instructions on extending your table.

IMPORTANT NOTICE : PLEASE ENSURE THE BOLTS ARE INSERTED AS SHOWN BELOW

Pedestal attachment plate



MONTPELLIER DINING COLLECTION

160/180 Cm Large Extending Table (Product Code MO / 2875M / NNN)

Step

4

- Locate the extension leaf between the table leaves, noting the location pins as shown. Fold down the skirts on the leaf as per the diagram below. Finally push the main leaves back together ensuring that the pins locate into the holes. Secure all tops together, using the spring clips on the underside of the table to remove the extension, simply perform the procedure in reverse, storing the extension under the table top. The assembly is now complete.

Skirts Being Pulled Into Position

