

Sleigh Bed 3 Door Wardrobe (MN 09) Knock Down

Thank you for buying our product

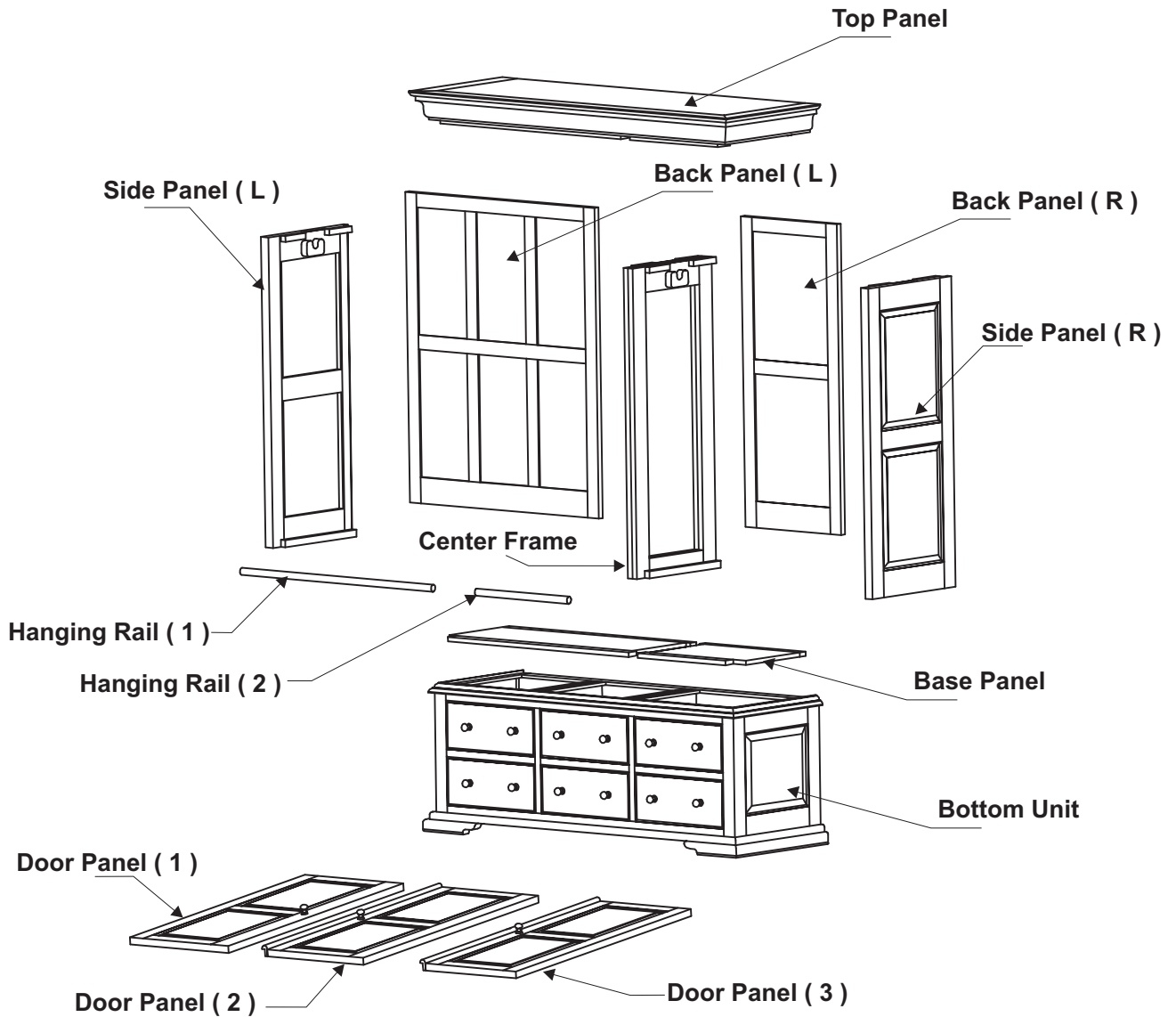


Step By Step Assembly Instructions

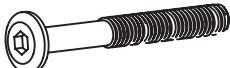


PRE-ASSEMBLY PREPARATION

1. Please check the pack contents before attempting this product.
A full checklist of component is given in this leaflet. If any component are missing, please contact the retailer from whom you bought this product.
2. This product is **heavy**, it should be assembled as near as possible to the point of use.
TAKE CARE WITH LIFTING to avoid personal injury and (or) damage to the product.
3. This product takes approximately 30 minutes to assemble with 2 people.
4. This product already contain fitting which should be :
“ KEPT AWAY FROM YOUNG CHILDREN “
5. Read this leaflet in full before commencing assembly.

Sleigh Bed 3 Door Wardrobe (MN 09) Knock Down

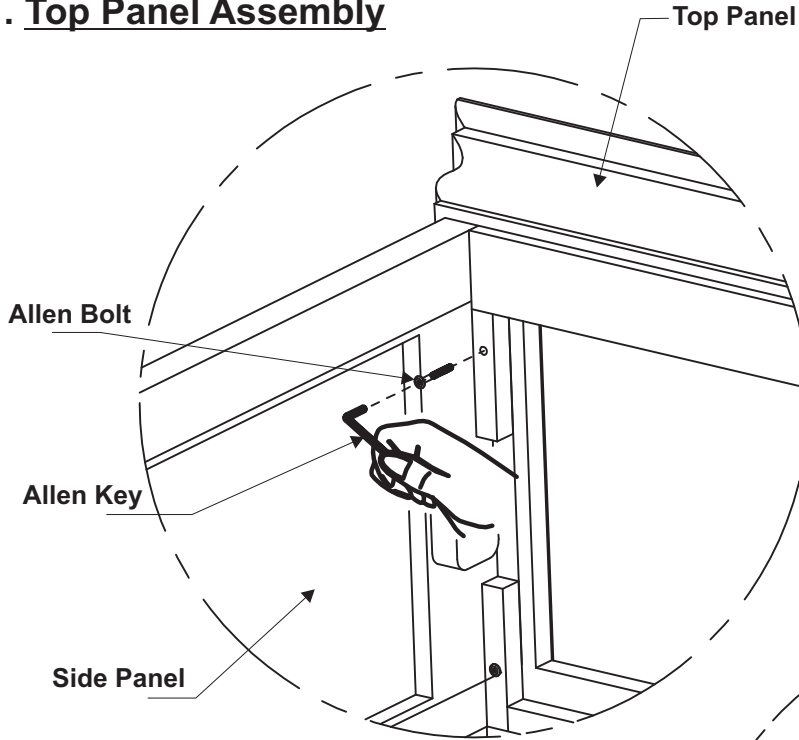


HARDWARE IDENTIFICATION

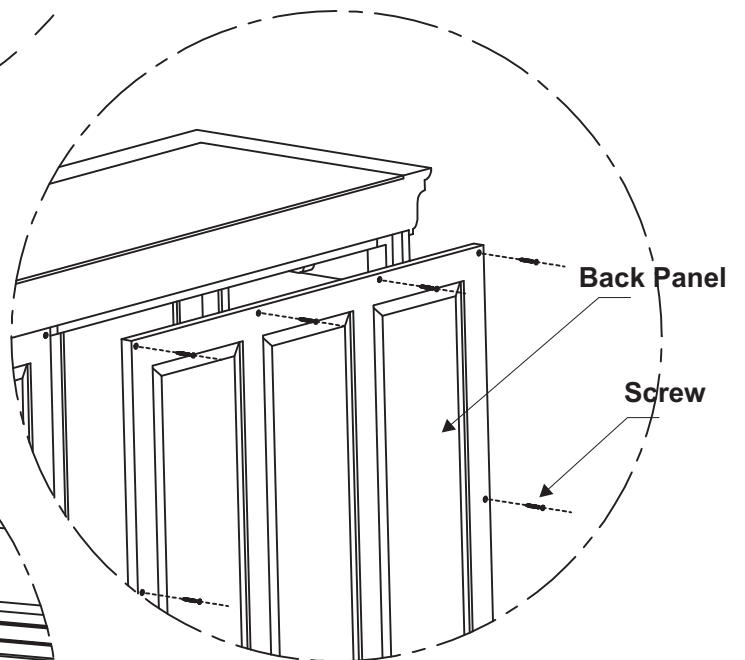
ITEM	DESCRIPTION	QTY
A	 ALLEN BOLT M6 X 50mm	12
B	 SCREW	26
C	 ALLEN KEY	1

Sleigh Bed 3 Door Wardrobe (MN 09) Knock Down

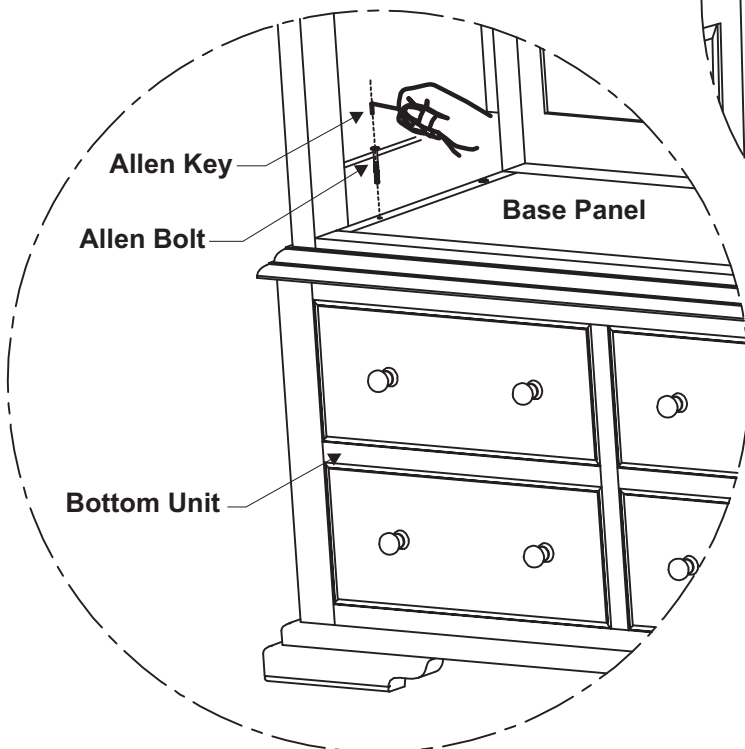
1. Top Panel Assembly



2. Back Panel Assembly

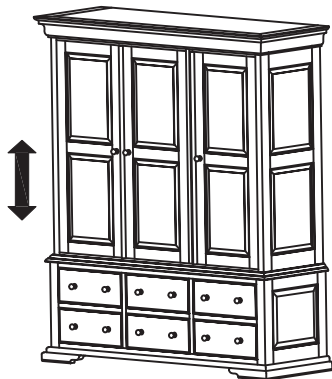
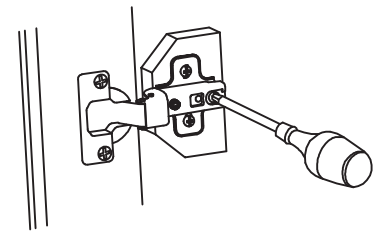
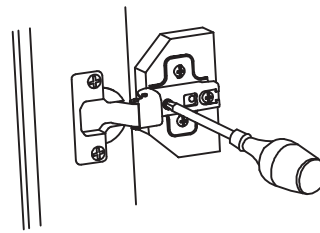
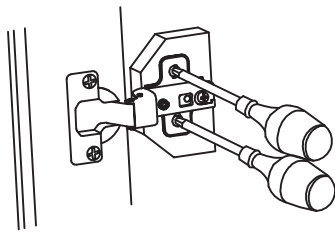


3. Bottom Unit Assembly

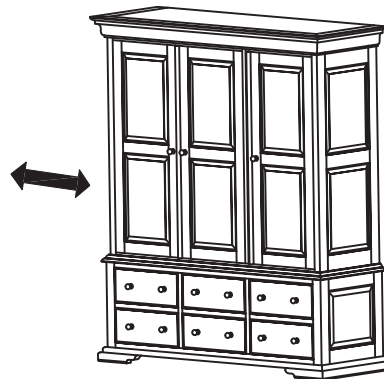


Sleigh Bed 3 Door Wardrobe (MN 09) Knock Down

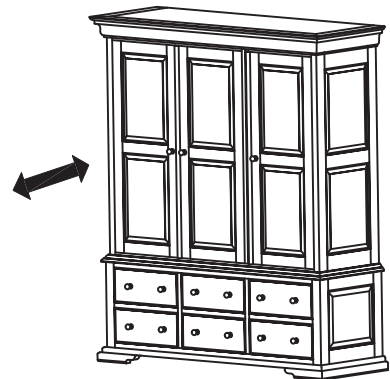
4. Door Panel Assembly



Vertical Adjustment



Horizontal Adjustment



Lateral Adjustment