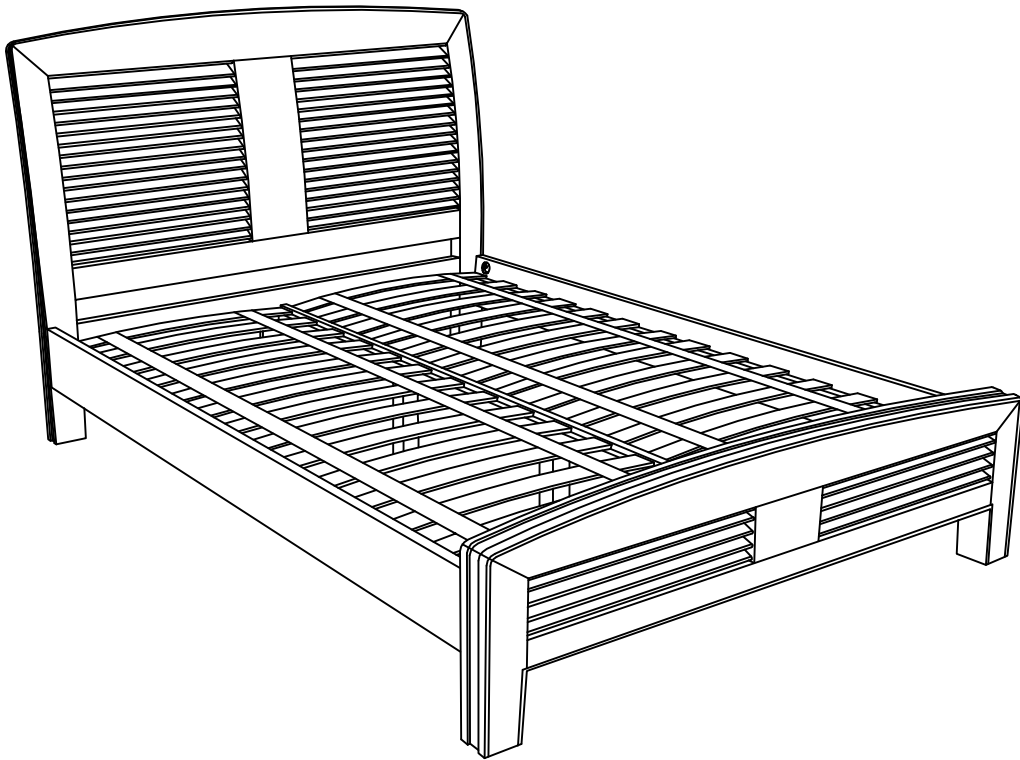


# Montego Bed MG01 Assembly Instruction

---



---

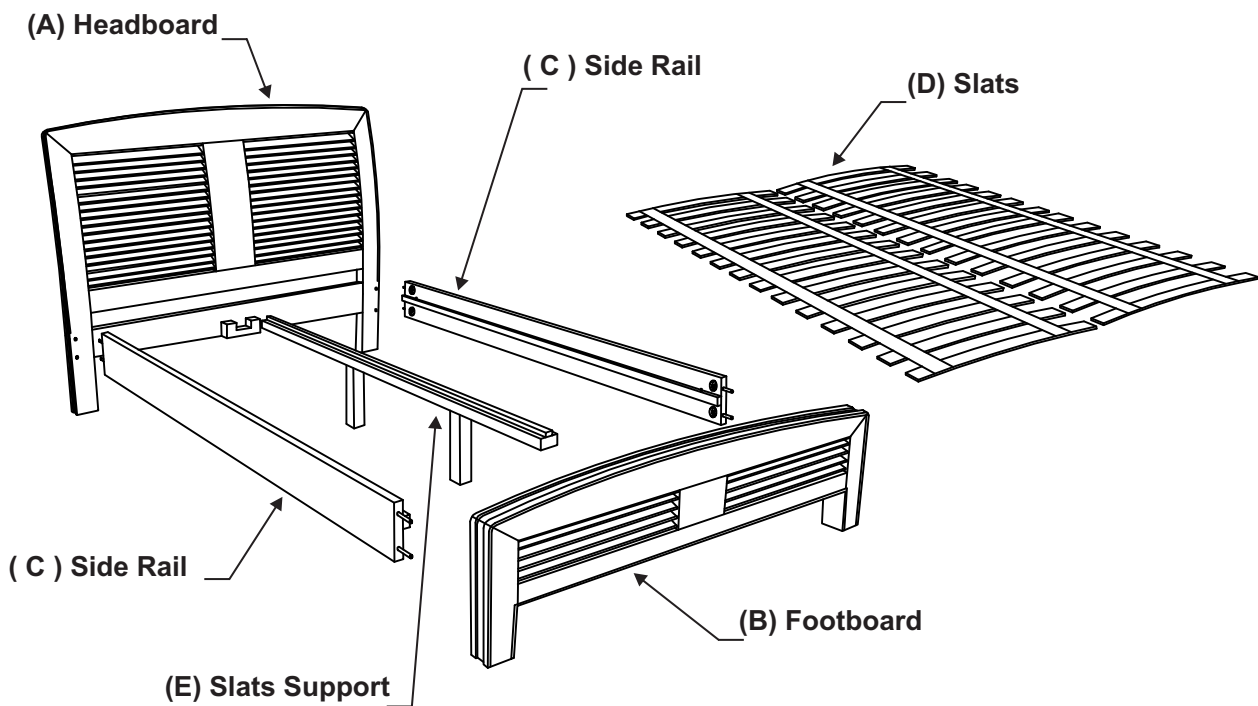
## Step By Step Assembly Instructions

---

### PRE-ASSEMBLY PREPARATION

1. Please check the pack contents before attempting to assemble this product.  
A full checklist of components is given in this leaflet. If any components are missing, please contact the retailer from whom you bought this product.
2. This product is **Heavy**, it should be assembled as near as possible to the point of use.  
**TAKE CARE WHEN LIFTING** to avoid personal injury and (or) damage to the product.
3. This product takes approximately **45 minutes** to assemble with 2 people.
4. This product already contains fitting which should be :  
“ **KEPT AWAY FROM YOUNG CHILDREN** “
5. Read this leaflet in full before commencing assembly.

# Montego Bed MG01 Assembly Instruction



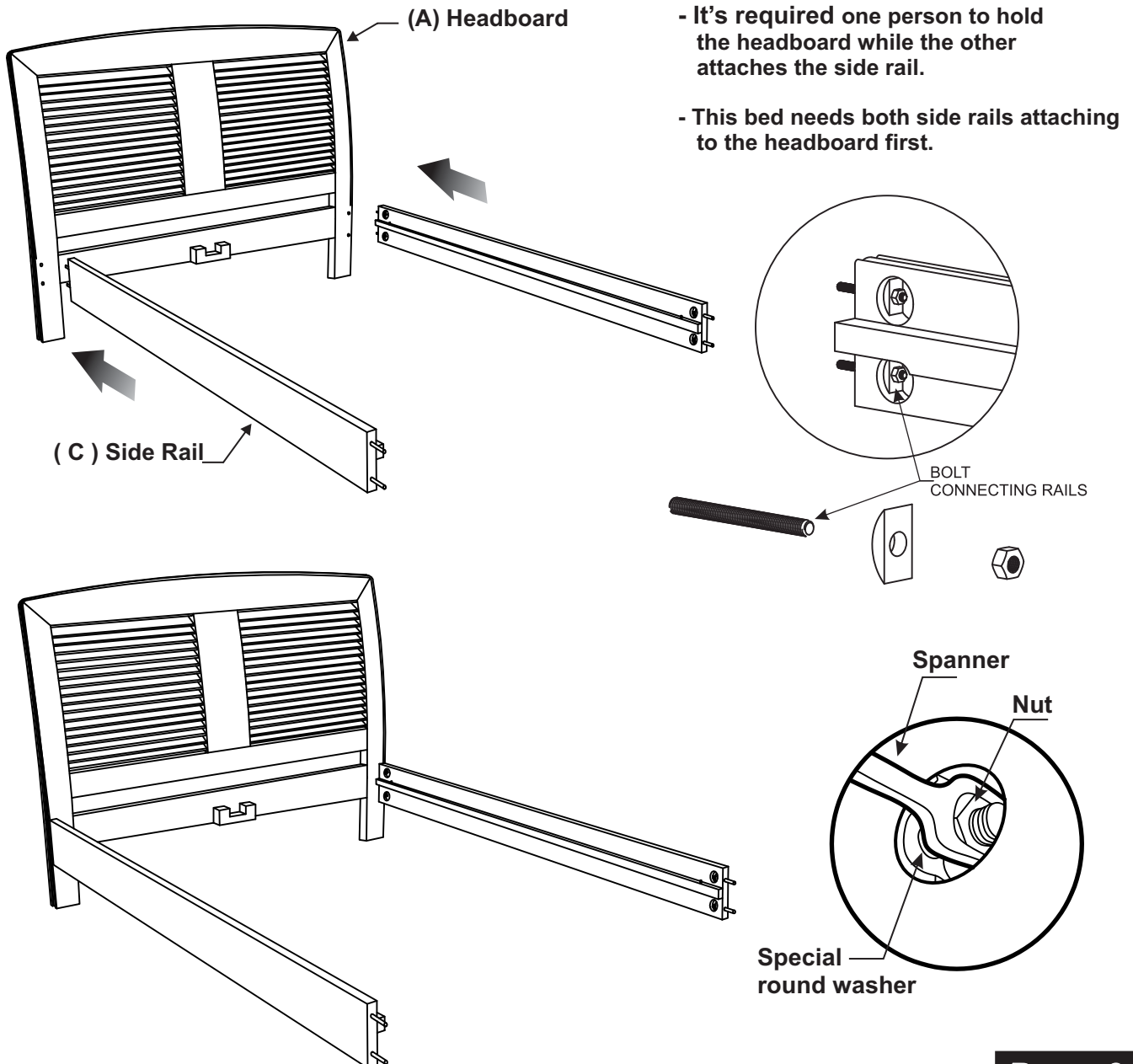
<b>HARDWARE IDENTIFICATION</b>		
ITEM	DESCRIPTION	Qty
A	HEADBOARD	1
B	FOOTBOARD	1
C	SIDE RAILS	2
D	SLATS ( Assembled )	2
E	SLATS SUPPORT / CENTRE RAIL	1
F	BOLT CONNECTING RAIL (Embedded in side rail)	8

# Montego Bed MG01 Assembly Instruction

## 1. HEADBOARD AND SIDE RAIL ASSEMBLY

### # Step 1

1. "Left / Right" marked on headboard must be matched with "Left/Right" marked on each side rail.
2. Remove bolt connecting rail from the Side Rail by hand
3. Screw the eight threaded bolt into the Headboard and Footboard then tighten by hand.
4. Locating the Side Rails onto the threaded bolt protruding from the Headboard, Locating round washer and nut onto the threaded bolt and secure by hand first, Tighten evenly using spanner (not provided)



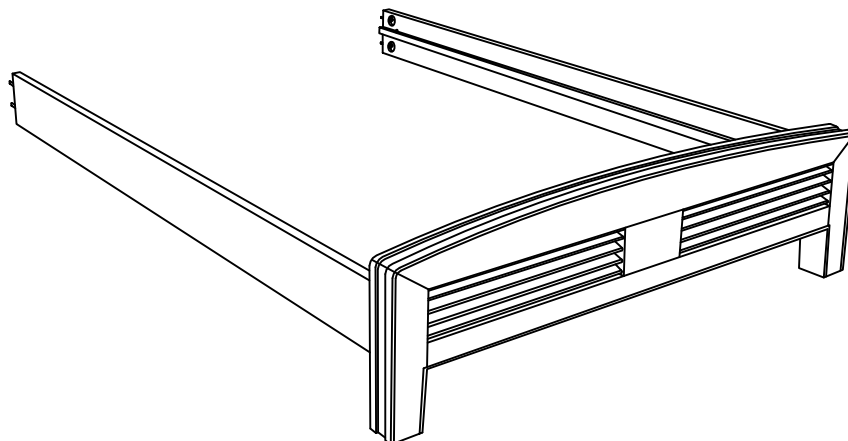
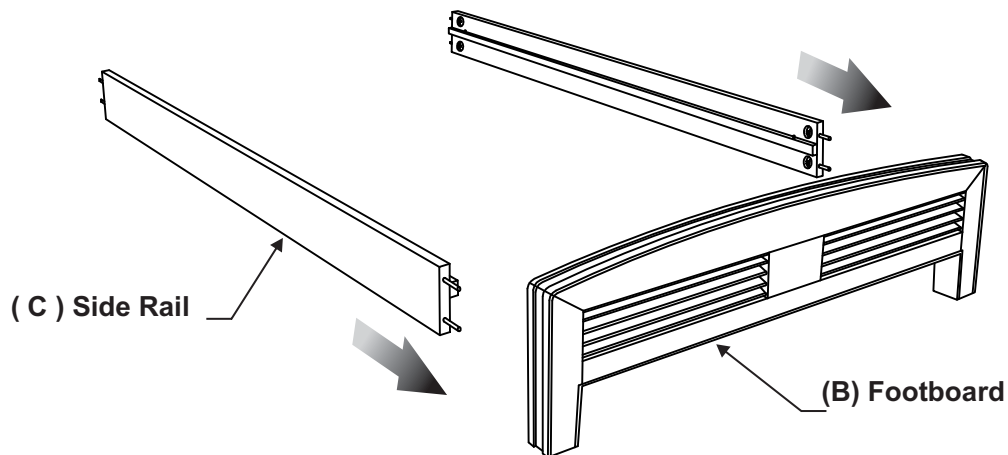
# Montego Bed MG01 Assembly Instruction

---

## 2. FOOTBOARD AND SIDE RAIL ASSEMBLY

### # Step 2

1. "Left / Right" marked on footboard must be matched with "Left/Right" marked on each side rail.
2. Locating the Side Rails onto the threaded bolt protruding from the Footboard, Locating round washer and nut onto the threaded bolt and secure by hand first, Tighten evenly using spanner (not provided)

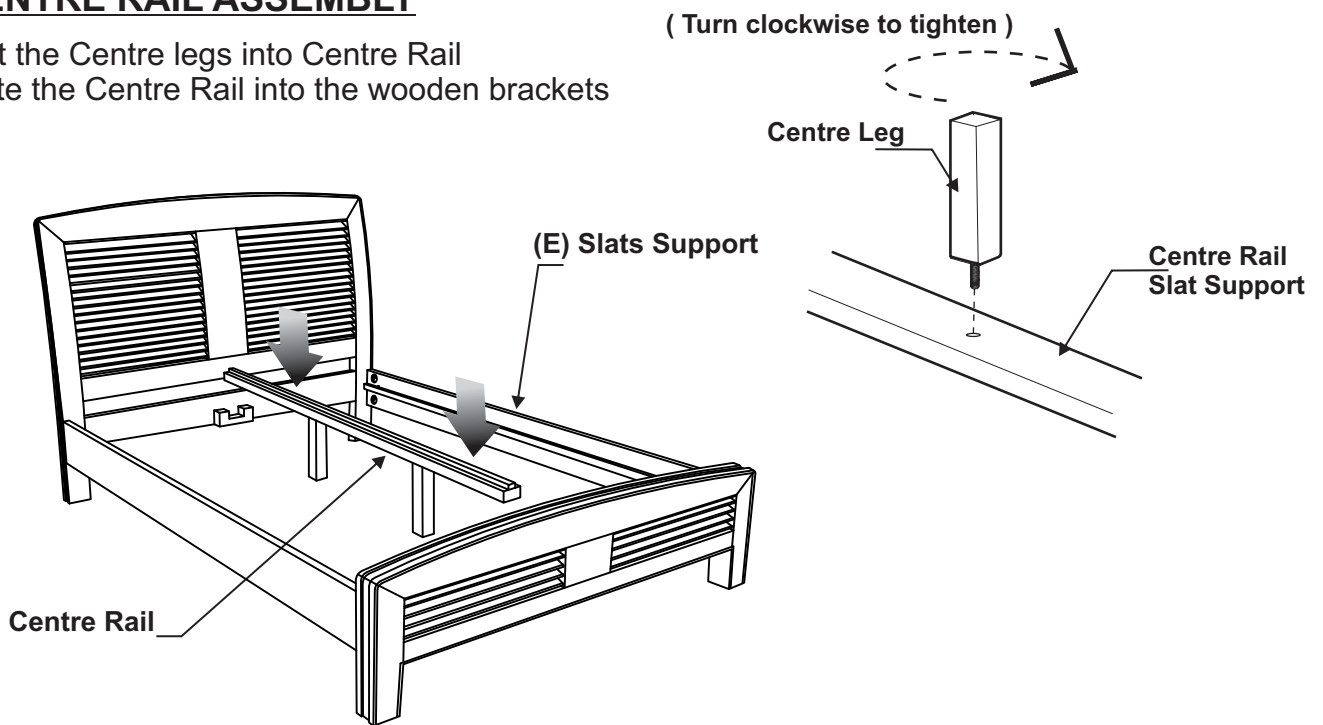


3. Once step 1 and step 2 are complete, side rail should be level with both the headboard and footboard. The bolt can be screwed well.

# Montego Bed MG01 Assembly Instruction

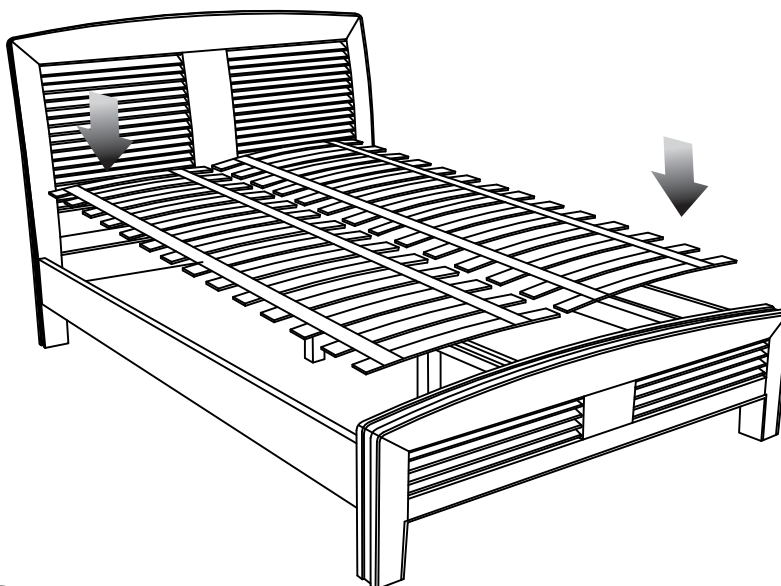
## 3. CENTRE RAIL ASSEMBLY

- Insert the Centre legs into Centre Rail
- Locate the Centre Rail into the wooden brackets



## 4. SLAT ASSEMBLY

- Insert the Slat into Centre Rail.



**DONE !**