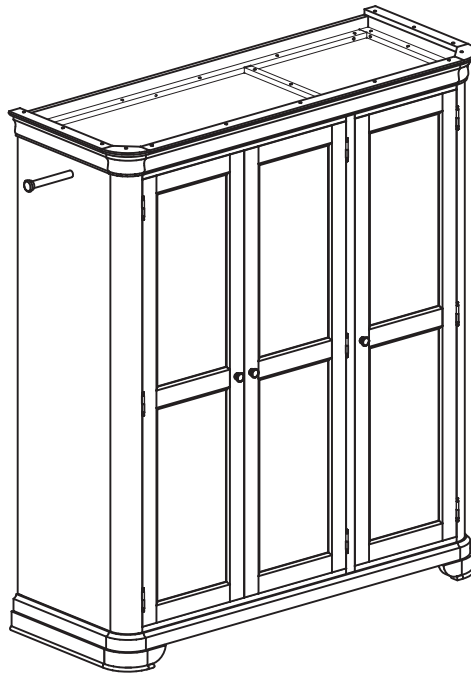


# Marseille 3 Door Wardrobe KD ( MB10 ) Assembly Instruction

*Thank you for buying our product*

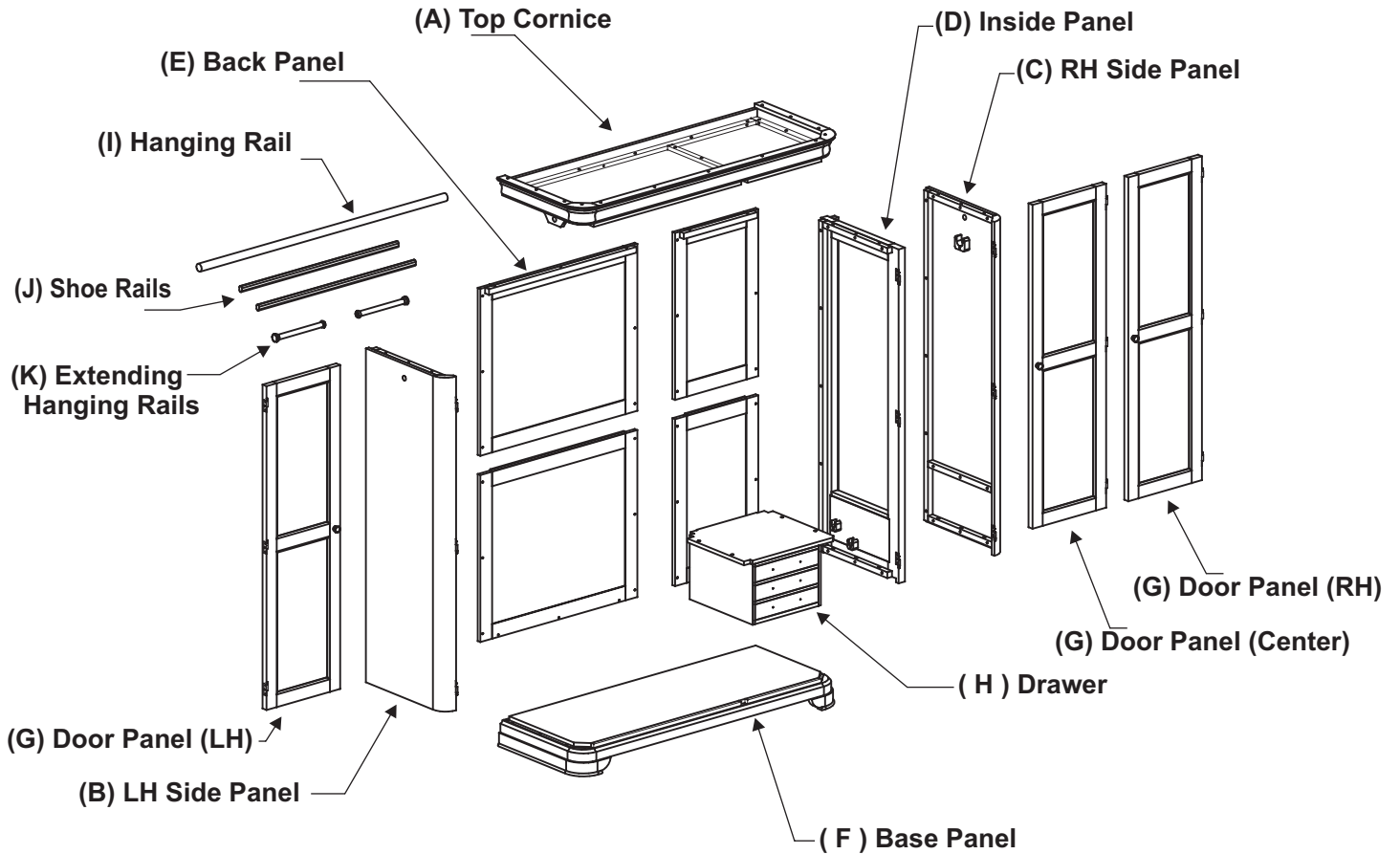


## Step By Step Assembly Instructions

### PRE-ASSEMBLY PREPARATION

1. Please check the pack contents before attempting this product.  
A full checklist of component is given in this leaflet. If any component are missing, please contact the retailer from whom you bought this product.
2. This product is **heavy**, it should be assembled as near as possible to the point of use.  
**TAKE CARE WITH LIFTING** to avoid personal injury and (or) damage to the product.
3. This product takes approximately 30 minutes to assemble with 2 people.
4. The fitting pack contains **small items** which should be :  
**KEPT AWAY FROM YOUNG CHILDREN.**
5. Read this leaflet in full before commencing assembly.
6. You will require a crosshead screwdriver and Allen key (provided) to assemble this product.
7. **WE RECOMMEND** that you lay a protective cloth on your carpet during assembly, **to prevent marking.**

# Marseille 3 Door Wardrobe KD ( MB10 ) Assembly Instruction



## Panel and Fitting Identification

Item	Description	Qty
A	Top Cornice	1
B	LH Side Panel	1
C	RH Side Panel	1
D	Inside Panel	1
E	Back Panel	4
F	Base Panel	1
G	Door Panel (LH, RH & Center)	3
H	Drawer	1

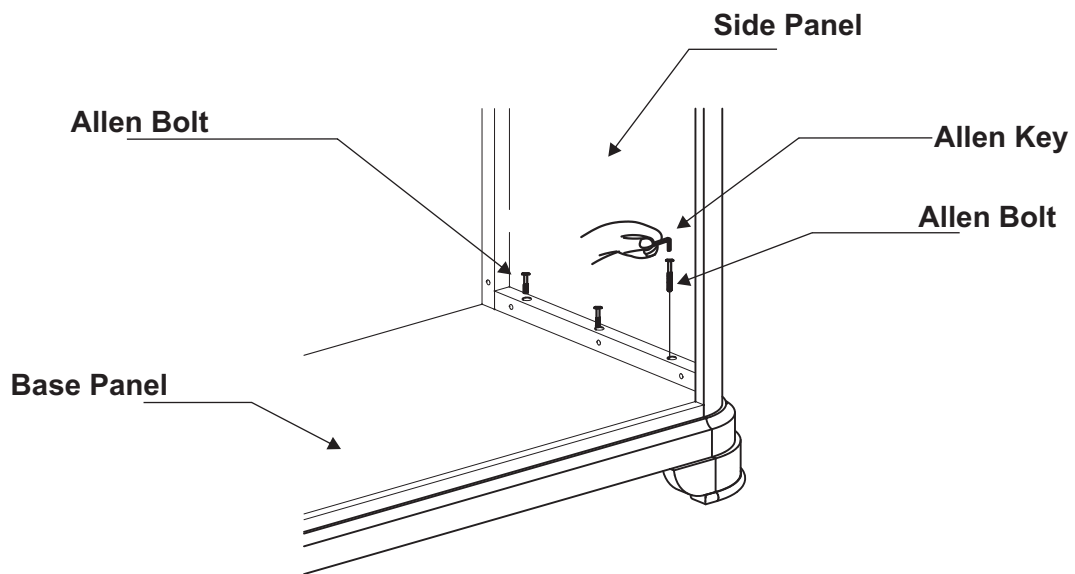
Item	Description	Qty
I	Hanging Rail	1
J	Shoe Rails	2
K	Extending Hanging Rails	2
L	Allen Bolt	20
M	Screw	25
N	Allen Key	1



# Marseille 3 Door Wardrobe KD ( MB10 ) Assembly Instruction

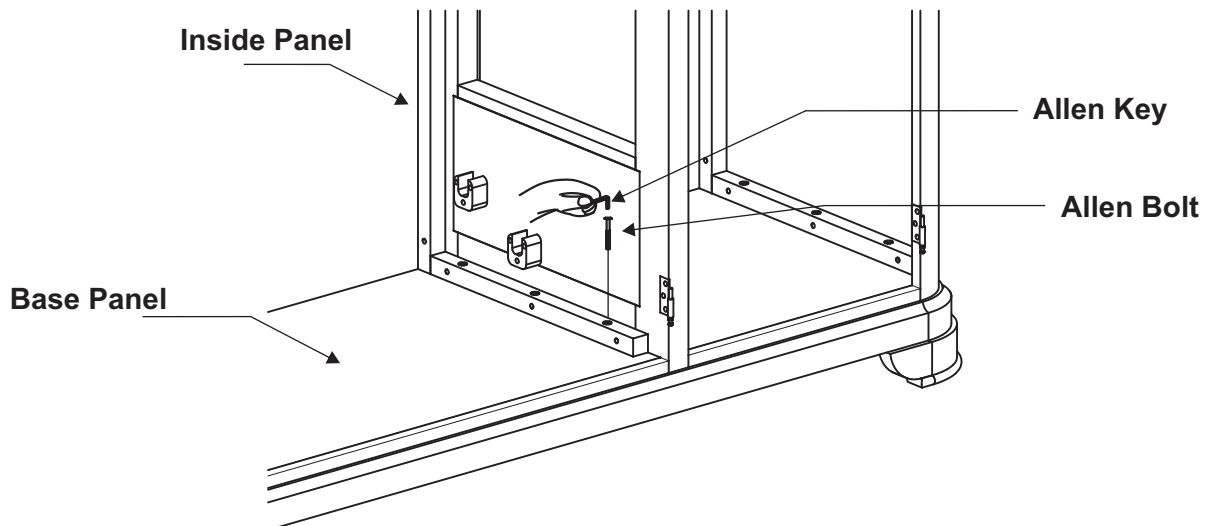
## Step 1. Side Panel & Base Panel Assembly

Fitting Allen Bolt M6 x 50 mm



## Step 2. Inside Panel & Base Panel Assembly

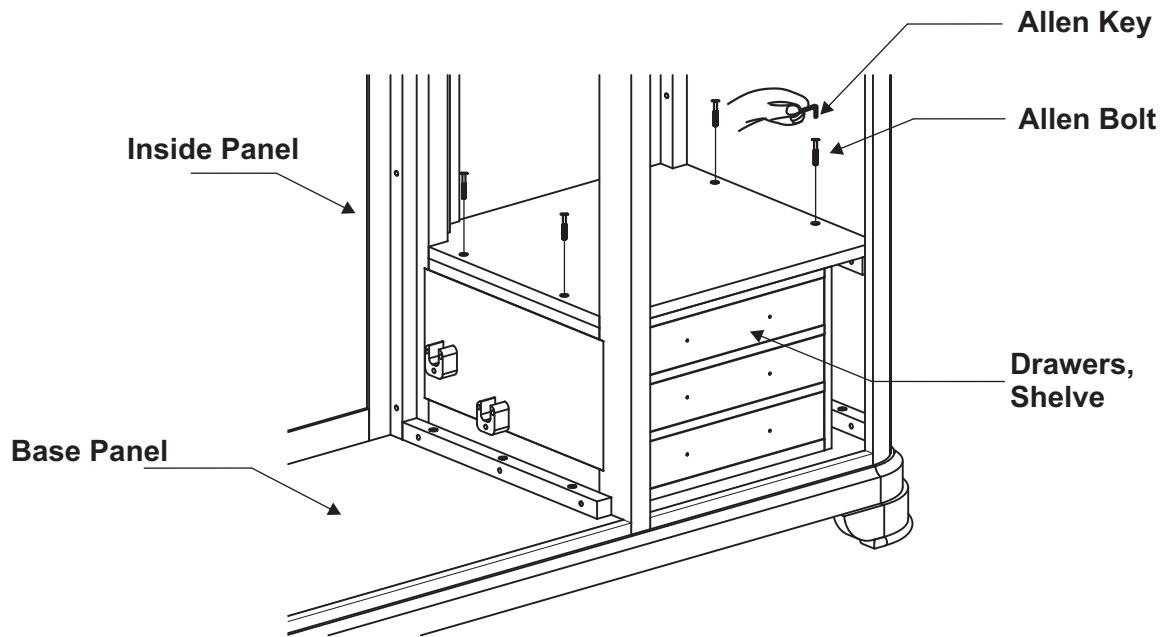
Fitting Allen Bolt M6 x 50 mm



# Marseille 3 Door Wardrobe KD ( MB10 ) Assembly Instruction

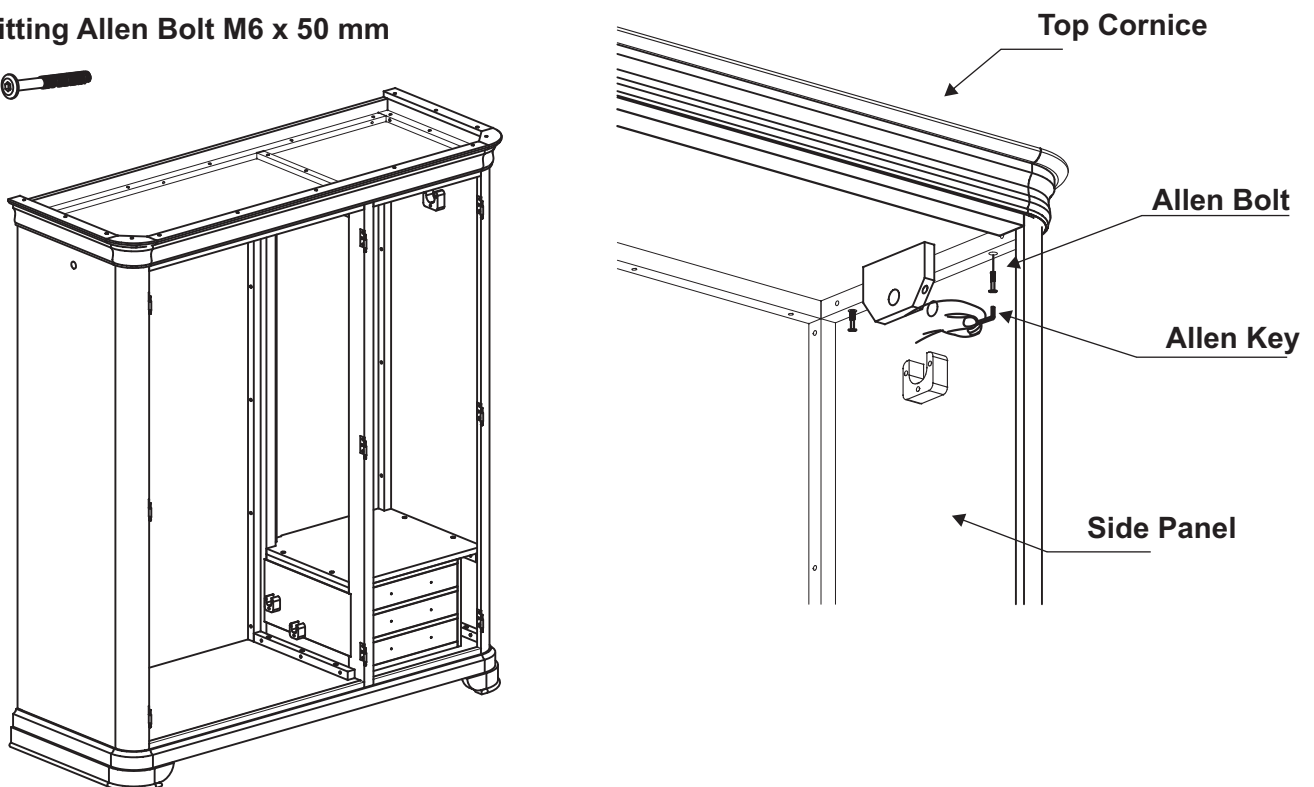
## Step 3. Drawers and Shelf Assembly

Fitting Allen Bolt M6 x 50 mm



## Step 5. Top Cornice Assembly

Fitting Allen Bolt M6 x 50 mm



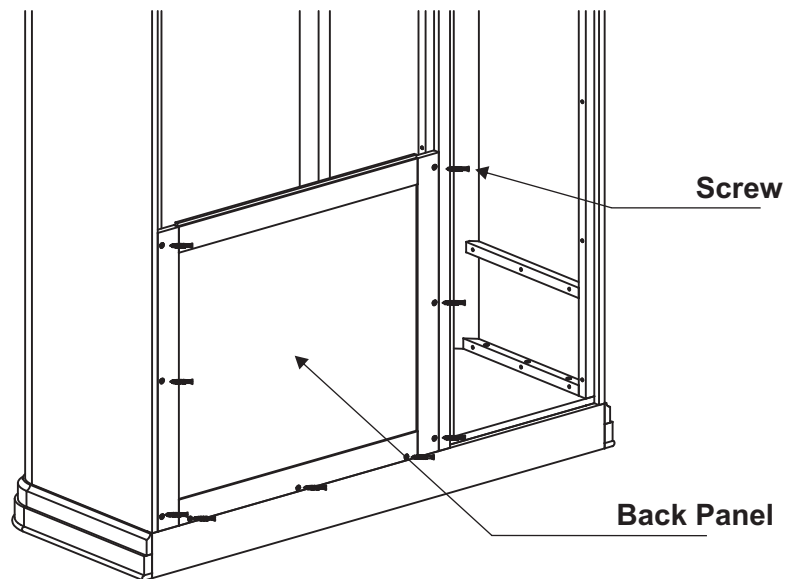
# Marseille 3 Door Wardrobe KD ( MB10 ) Assembly Instruction

## 6. Back Panel Assembly

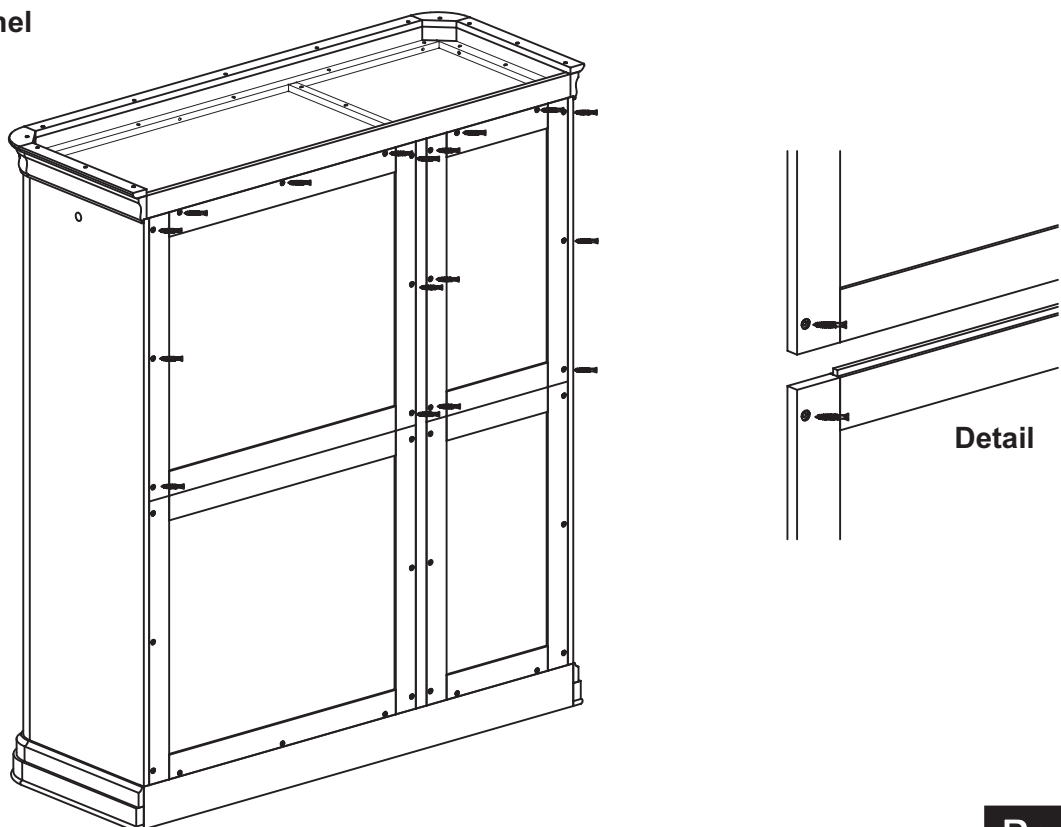
Fitting screw



a) Bottom of back panel

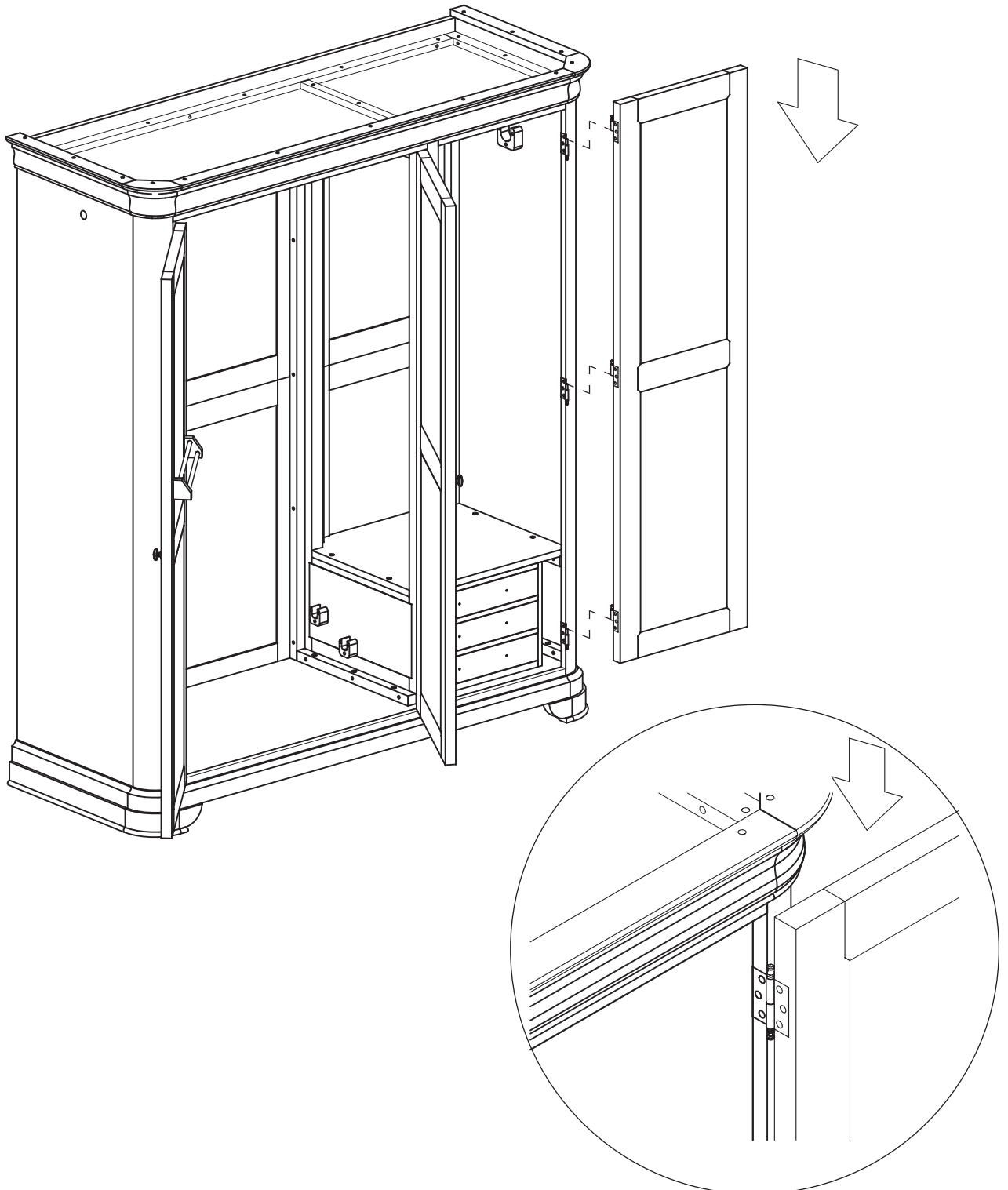


b) Top of back panel



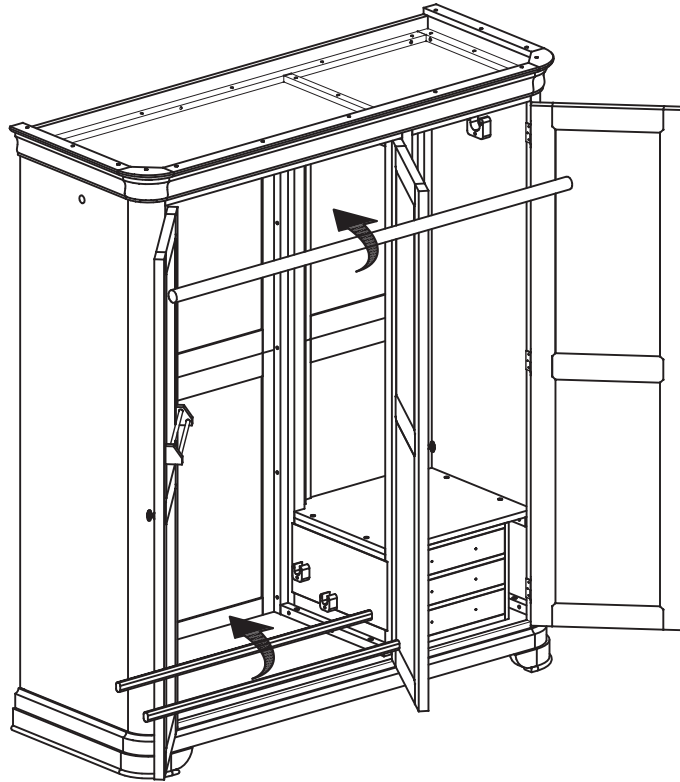
# Marseille 3 Door Wardrobe KD ( MB10 ) Assembly Instruction

## Step 7. Door Assembly

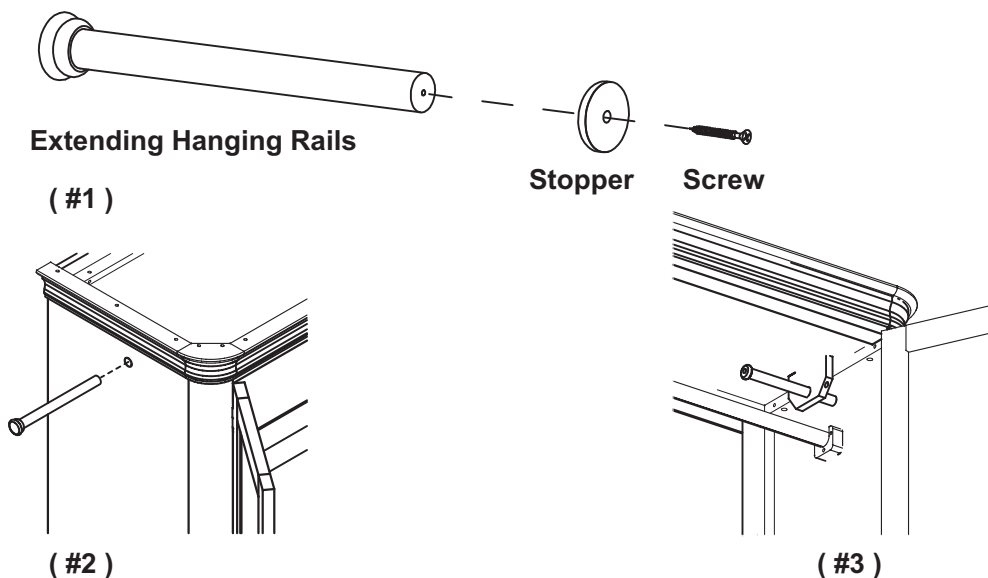


# Marseille 3 Door Wardrobe KD ( MB10 ) Assembly Instruction

- Step 8. - Locate the Hanging Rails ( I ) into the support**  
**- Locate the shoe Rails ( J ) into the support**



- Step 9. - Remove stopper screw from the extending hanging rail (see #1)**  
**- Insert extending hanging rail on to the hole of side panel (see #2)**  
**- Attach stopper to extending hanging rail using screw (see #3)**



# Marseille 3 Door Wardrobe KD ( MB10 ) Assembly Instruction

## Completed Assembly

