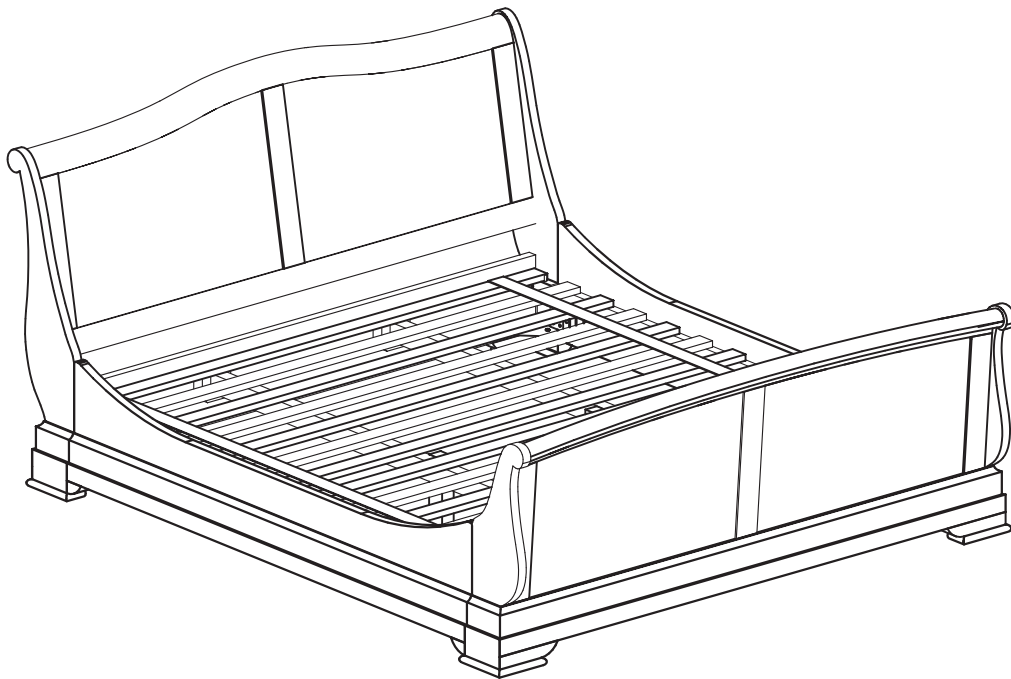


Marseille Bed 180 (MB01) Assembly Instruction

Thank you for buying our product

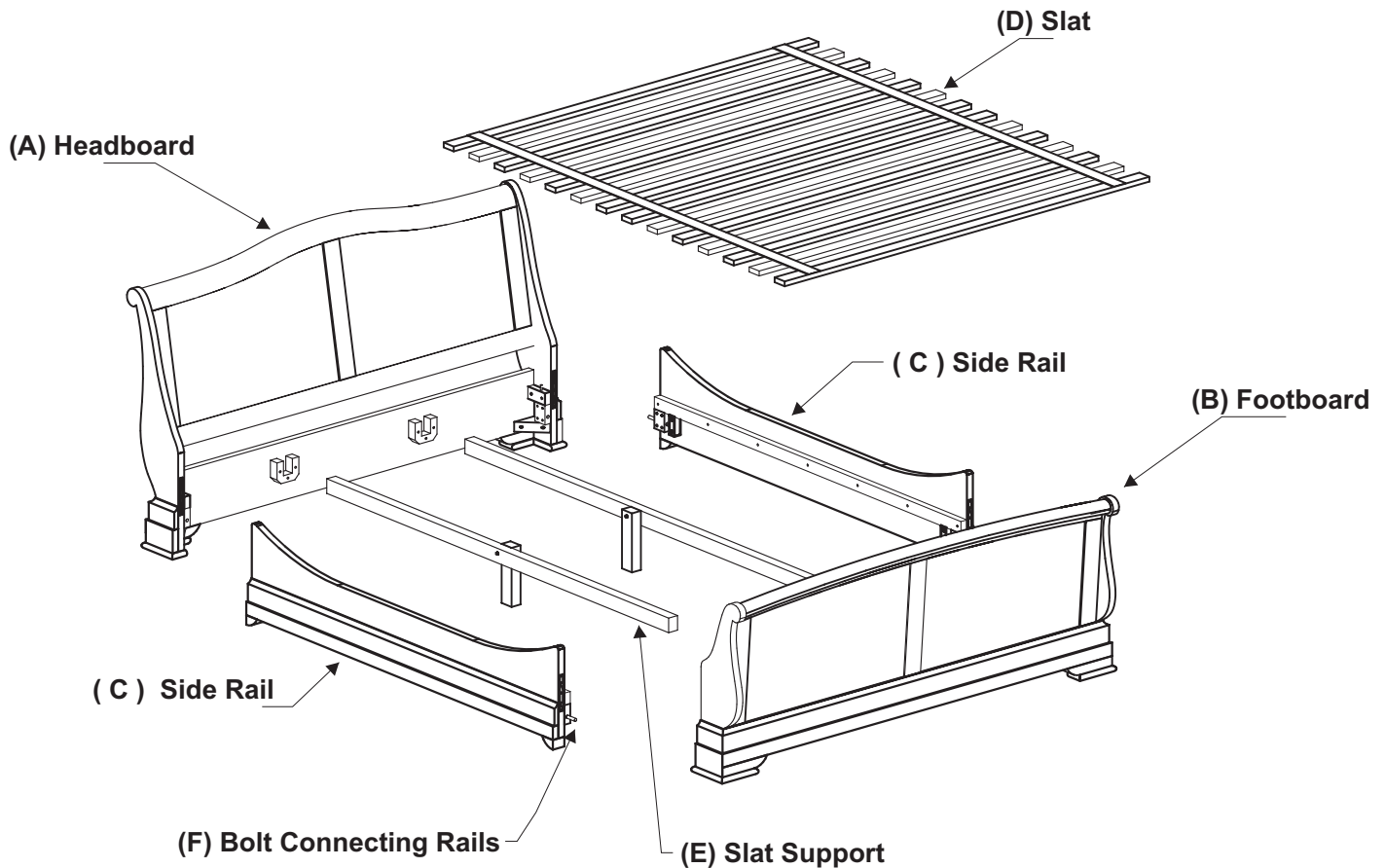


Step By Step Assembly Instructions

PRE-ASSEMBLY PREPARATION

1. Please check the pack contents before attempting this product.
A full checklist of component is given in this leaflet. If any component are missing, please contact the retailer from whom you bought this product.
2. This product is **heavy**, it should be assembled as near as possible to the point of use.
TAKE CARE WITH LIFTING to avoid personal injury and (or) damage to the product.
3. This product takes approximately 30 minutes to assemble with 2 people.
4. This product already contain fitting which should be :
" KEPT AWAY FROM YOUNG CHILDREN "
5. Read this leaflet in full before commencing assembly.

Marseille Bed 180 (MB01) Assembly Instruction



HARDWARE IDENTIFICATION

ITEM	DESCRIPTION	Qty
A	HEADBOARD	1
B	FOOTBOARD	1
C	SIDE RAILS	2
D	SLATS (Assembled)	1
E	SLATS SUPPORT	2
F	BOLT CONNECTING RAIL (Embedded in side rail)	4

Marseille Bed 180 (MB01) Assembly Instruction

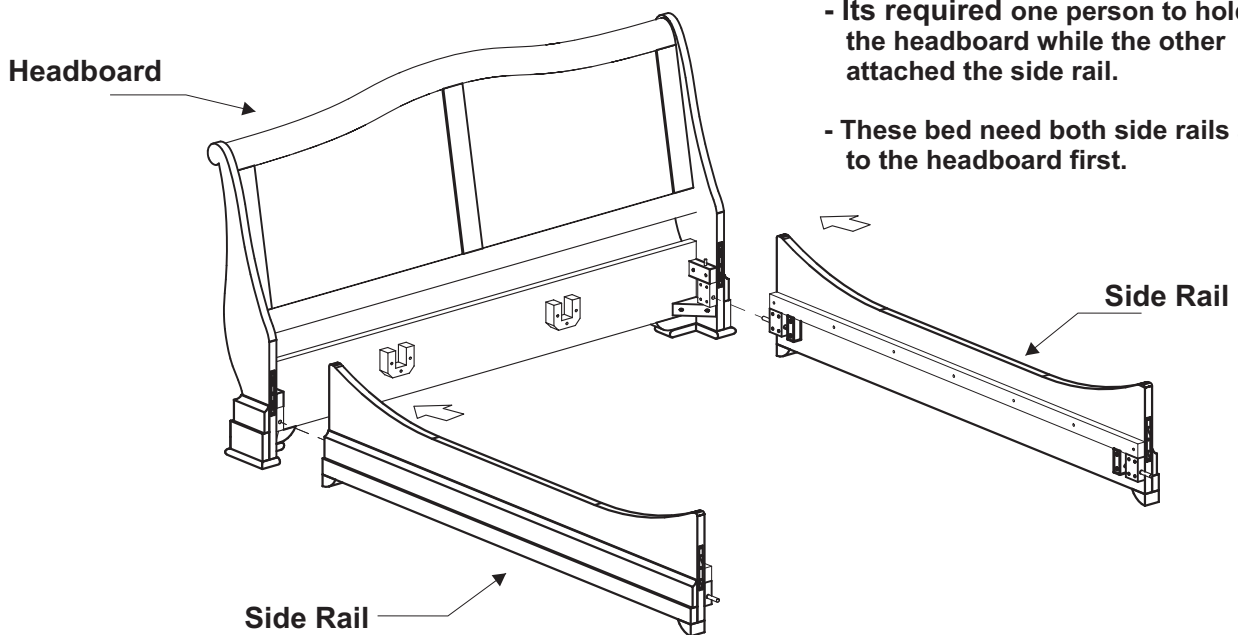
1. HEADBOARD AND SIDE RAIL ASSEMBLY

Step 1

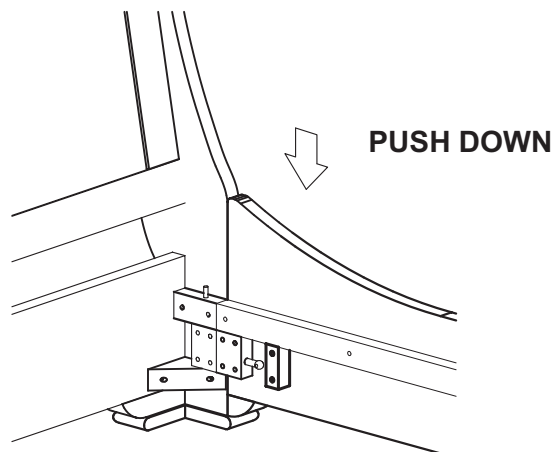
1. "Left / Right" marked on headboard must be matched with "Left/Right" marked on each side rail.

Note :

- Its required one person to hold the headboard while the other attached the side rail.
- These bed need both side rails attaching to the headboard first.



2. The side rail must be pushed down hardly to get in one level with headboard. Headboard must follow to be adjusted as well.

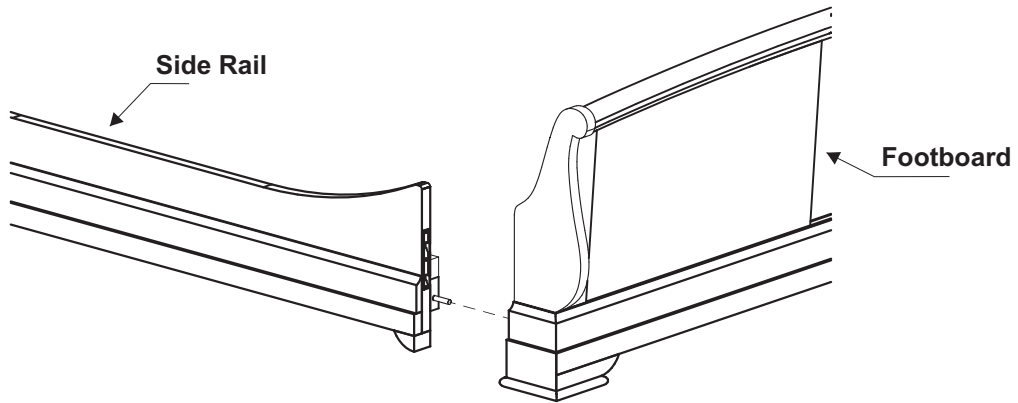


Marseille Bed 180 (MB01) Assembly Instruction

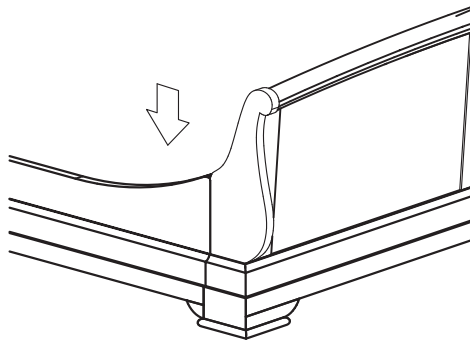
2. FOOTBOARD AND SIDE RAIL ASSEMBLY

Step 2

1. "Left / Right" marked on footboard must be matched with "Left/Right" marked on each side rail.

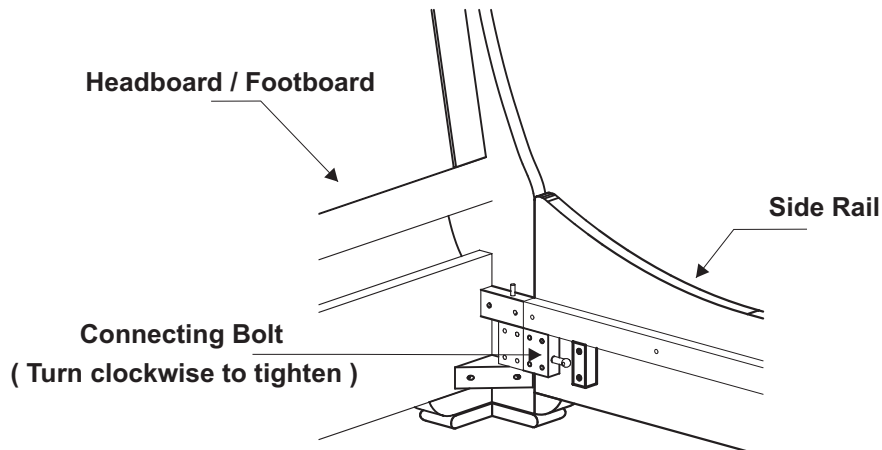


2. The side rail must be pushed down hardy to get in one level with footboard. Footboard must follow to be adjusted as well.



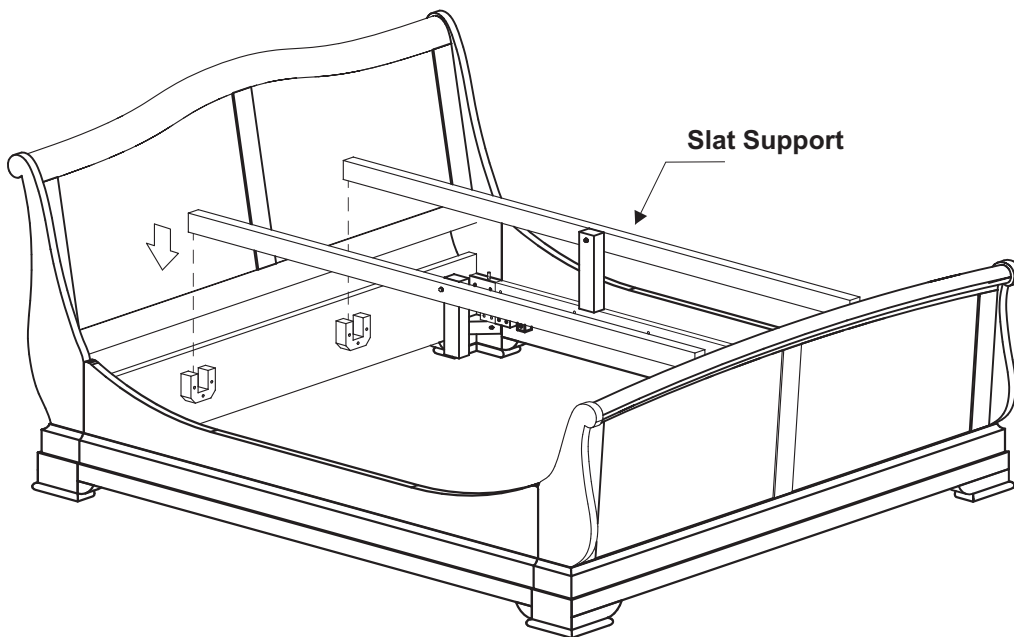
Step 3

- Once step 1 and step 2 are done, side rail can be one level with headboard or footboard. The bolt can be screwed well.



Marseille Bed 180 (MB01) Assembly Instruction

3. SLAT SUPPORT ASSEMBLY



4. SLAT ASSEMBLY

