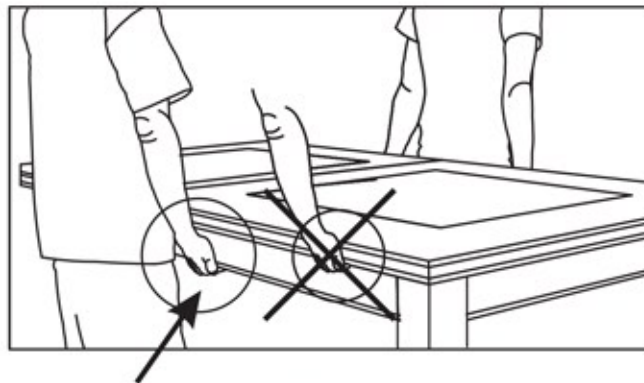
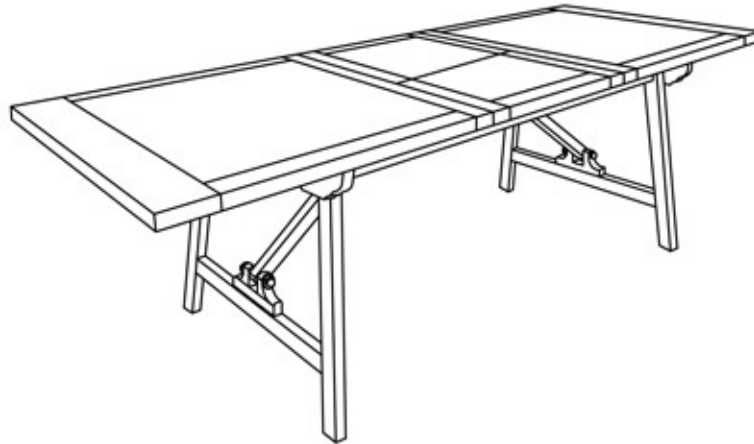


Thank you for buying our product



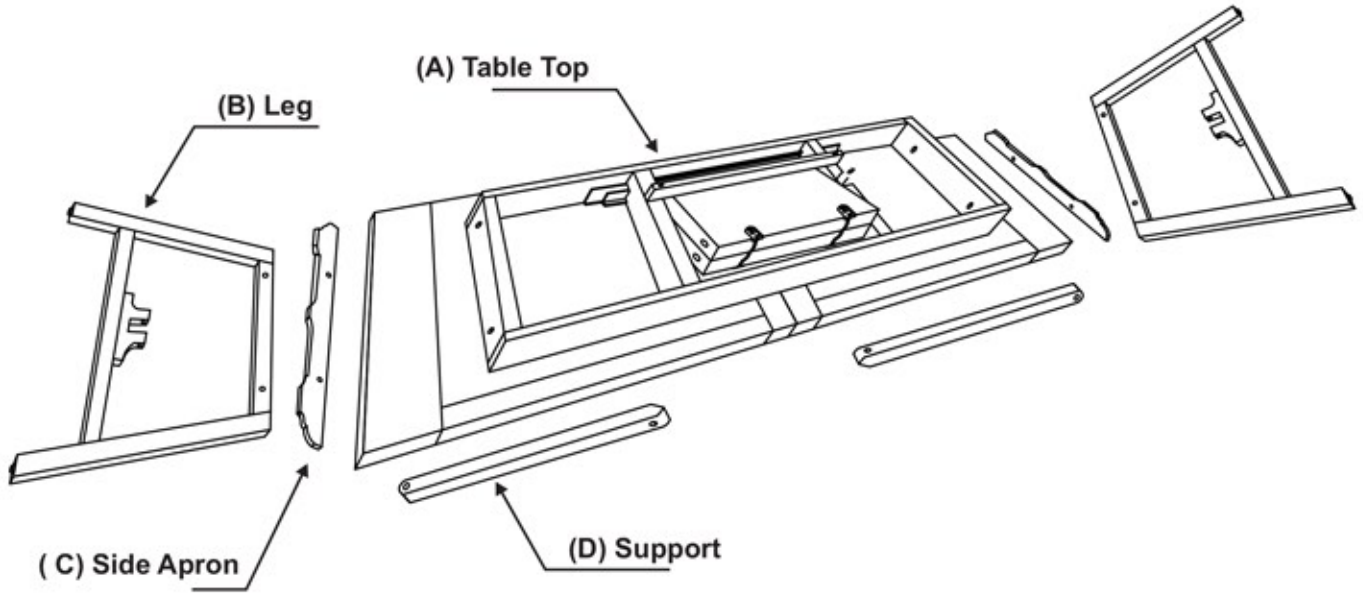
WARNING: MUST LIFT HERE

Step By Step Assembly Instructions

PRE-ASSEMBLY PREPARATION

1. Please check the pack contents before attempting to assemble this product.
A full checklist of components is given in this leaflet. If any components are missing, please contact the retailer from whom you bought this product.
2. This product is **VERY HEAVY**, It should be assembled as near as possible to the point of use. **TAKE CARE WHEN LIFTING** to avoid personal injury and (or) damage to the product.
3. This product takes approximately 60 minutes to assemble with 3 people.
4. The fitting pack contains **SMALL ITEMS** which should be :
"KEPT AWAY FROM YOUNG CHILDREN"
5. Read this leaflet in full before commencing assembly.
6. You will require a 28 mm spanner (not supplied).

IBD01
(IRON BRIDGE EXTENDING DINING TABLE)
ASSEMBLY INSTRUCTION



HARDWARE IDENTIFICATION

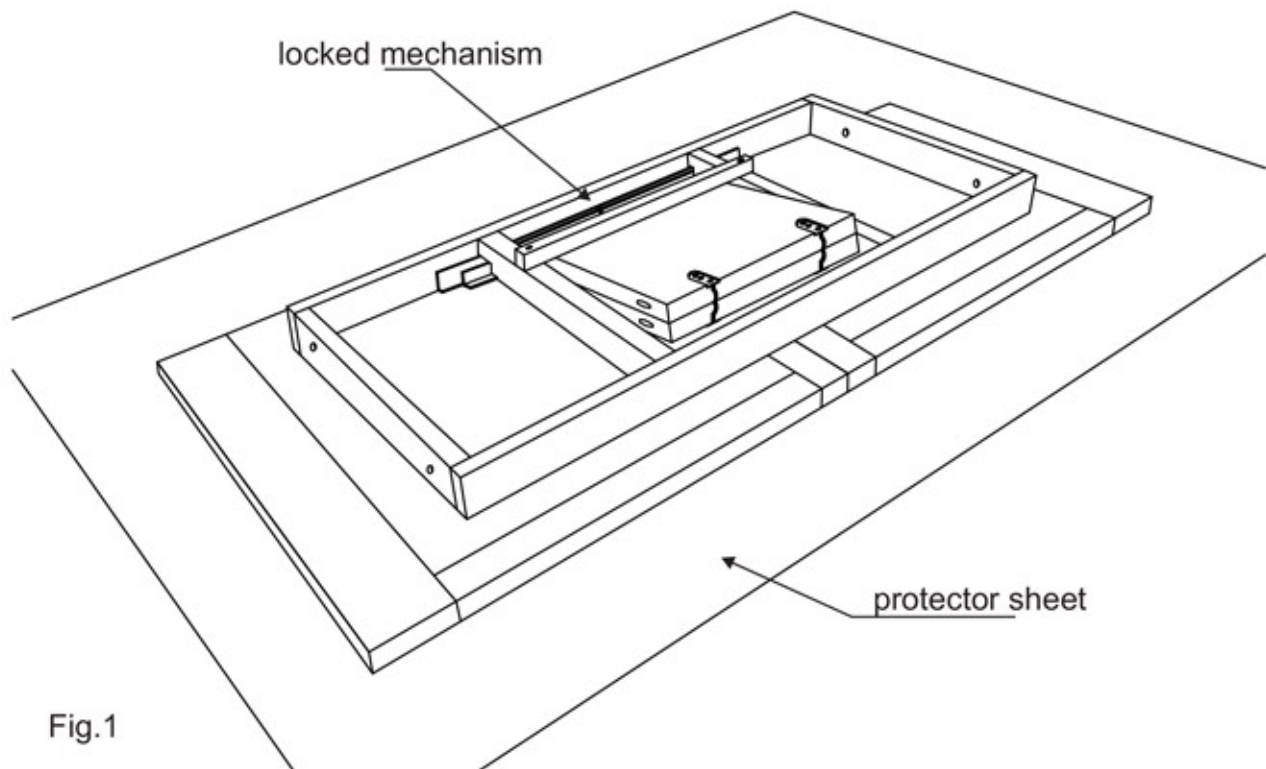
ITEM	DESCRIPTION	Qty
A	Table Top	1
B	Leg	2
C	Side Apron	2
D	Support	2
E	Bolt, Washer and Nut	6
F	Allen Bolt	2

Step 1

Place protective cardboard or blankets on the floor (make sure there is no debris) and place the top of the table upside down as per the diagram below (Fig.1)

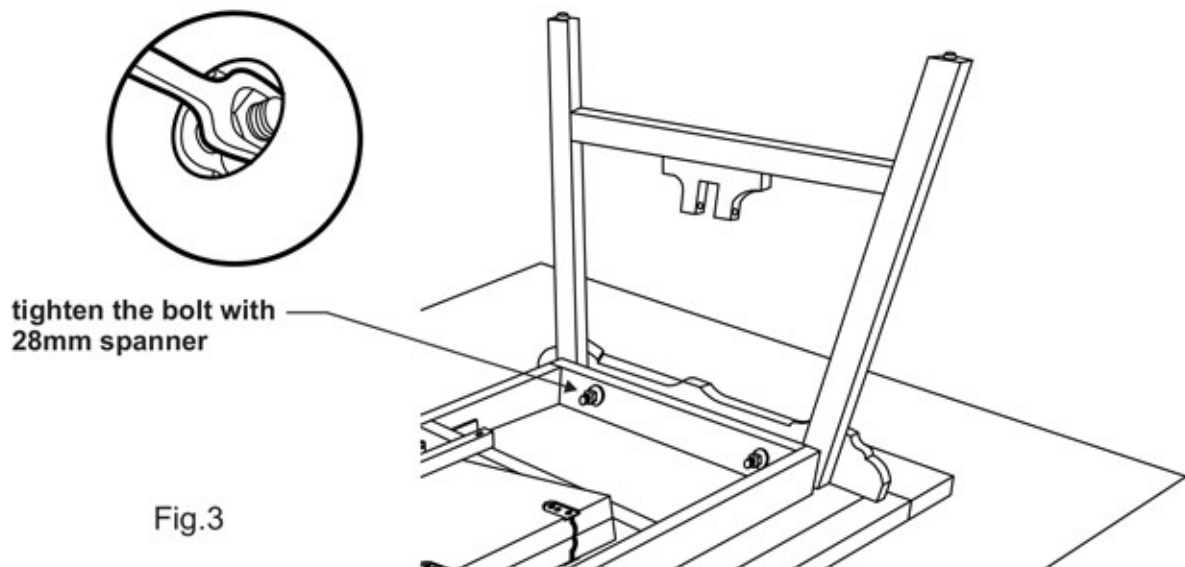
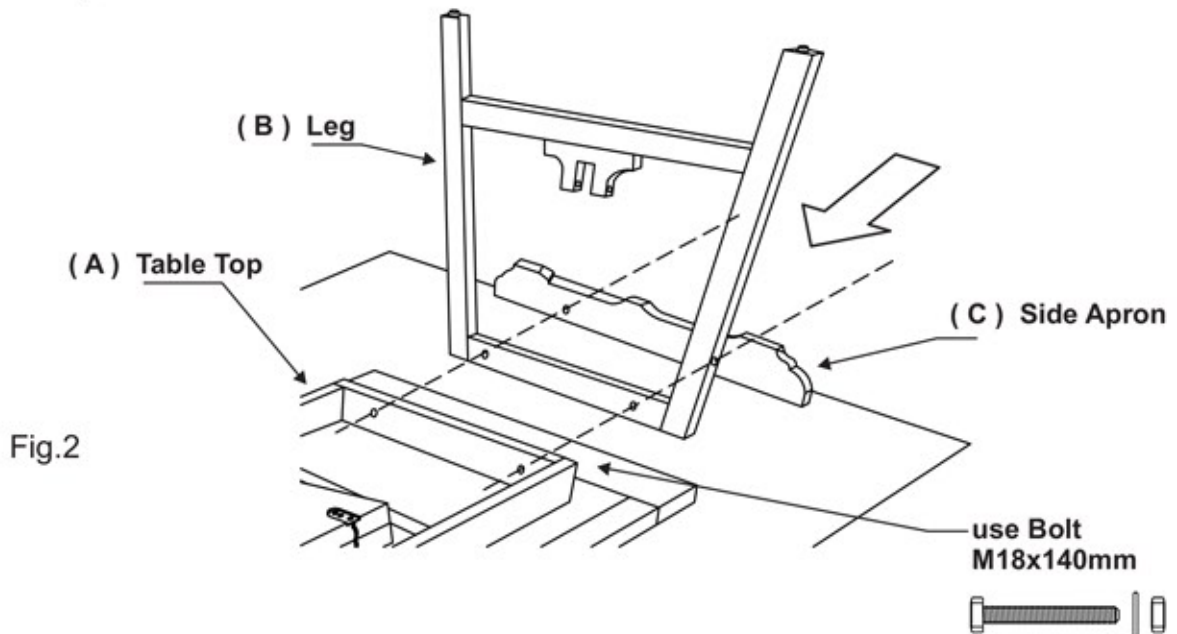
unlock the mechanism

Fig.1 (Shows the table upside down on the floor ready for assembling)



Step 2

There are 2 x table leg.
Fit the first table leg to underside of table and side apron tighten with bolts M18 x 140 mm and washer use 28mm spanner



IBD01 (IRON BRIDGE EXTENDING DINING TABLE) ASSEMBLY INSTRUCTION

Fit the support table leg to the table leg, tighten with bolts M18 x 140 mm,



Fit the support table leg to underside of table / middle apron, tighten with allen bolt M6 x 50mm

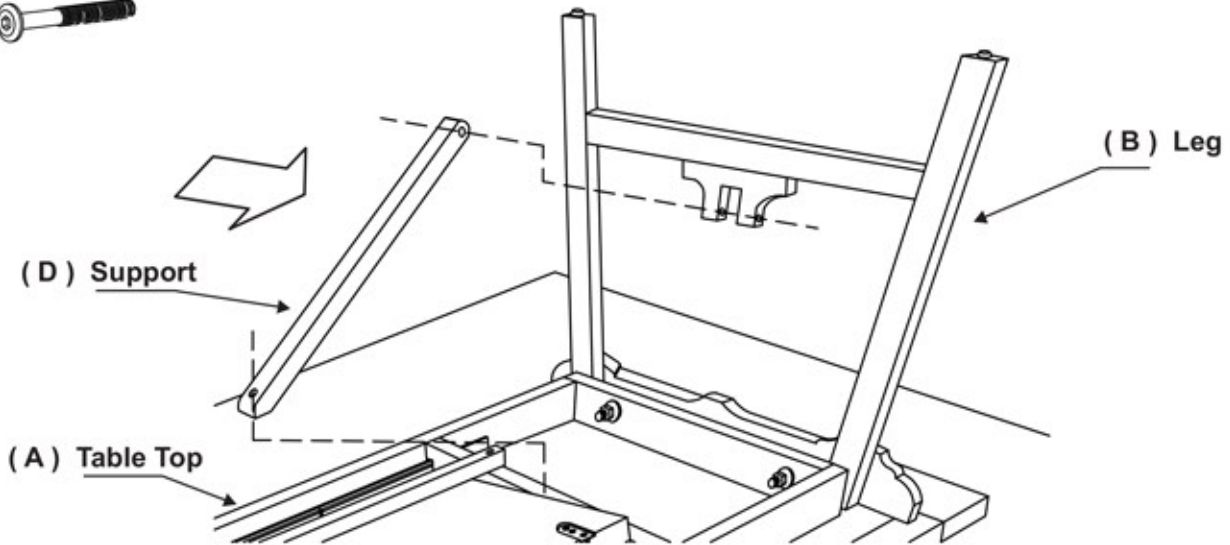


Fig.4

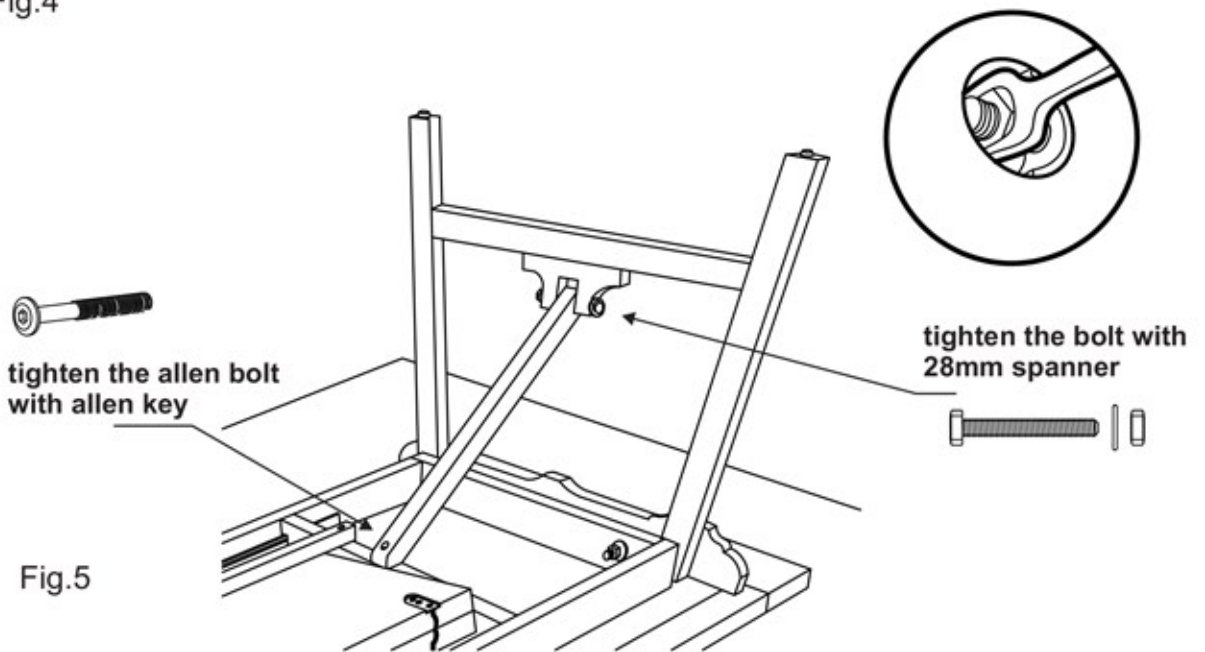


Fig.5 Shows the underside of the table with also show bolts, washer and nut.

And do the same with the second table leg and support

Fig.6 **Tighten the bolts firmly** (make sure the washer is on the outside of the apron)

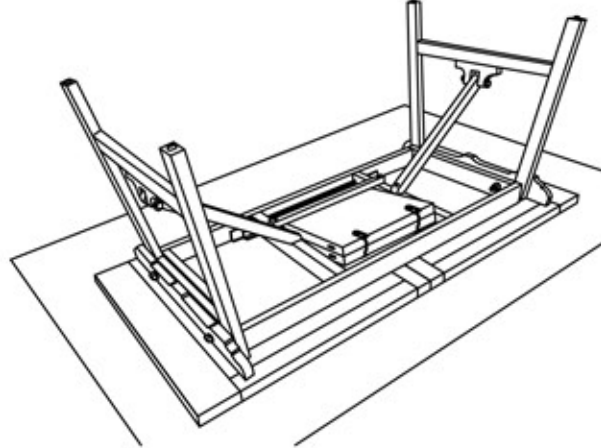
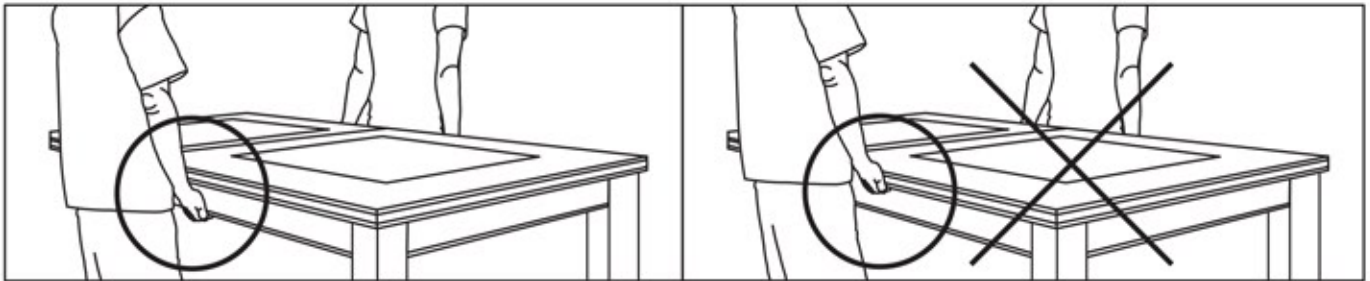


Fig.6

Step 3

Turn the table over. First on to one side then carefully using at least 2 men turn the table into its final operating position. **THIS PRODUCT IS HEAVY.**



**TABLE MUST BE LIFTED
BY THE FRAME**

**DO NOT LIFT TABLE
FROM BY TOP TABLE ONLY**

IMPORTANT NOTICE:

PLEASE ENSURE THAT TABLE IS LIFTED
AND TURNED BY HOLDING ON TO FRAME, NOT THE TABLE TOP PANEL ONLY

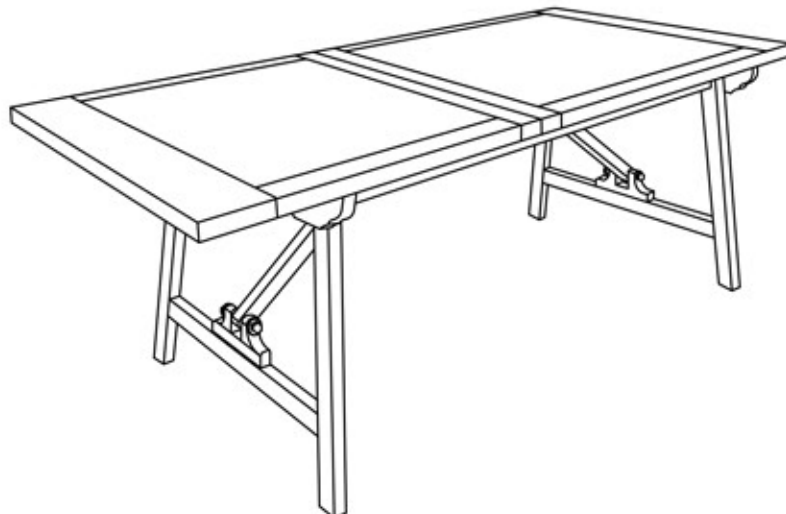


Fig.7

Finally re - tighten the 6 nuts and bolts from underneath.

Step 4

Unlock and open the table mechanism and you will find extension leaves.
Place one of the extension into the table noting the positions of the locating tenons.
Push the main leaves back together ensuring the pins locate into the holes.

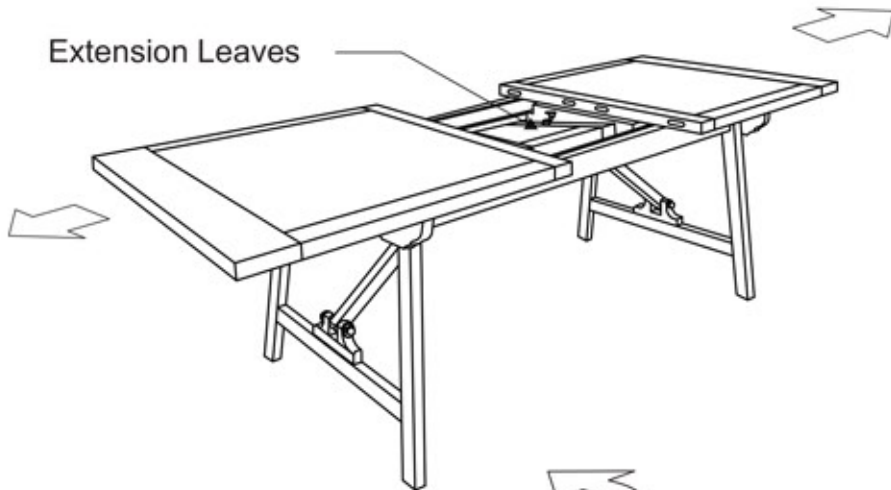


Fig.8

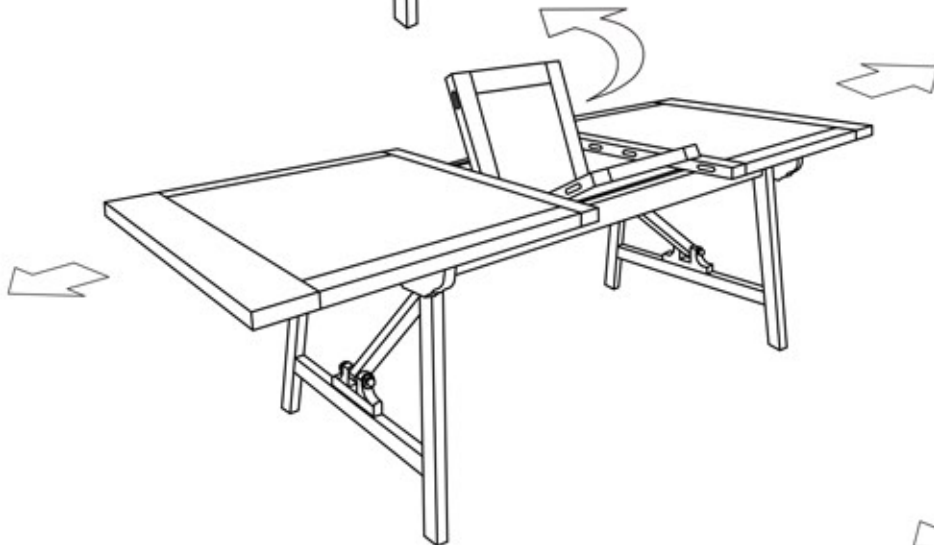


Fig.9

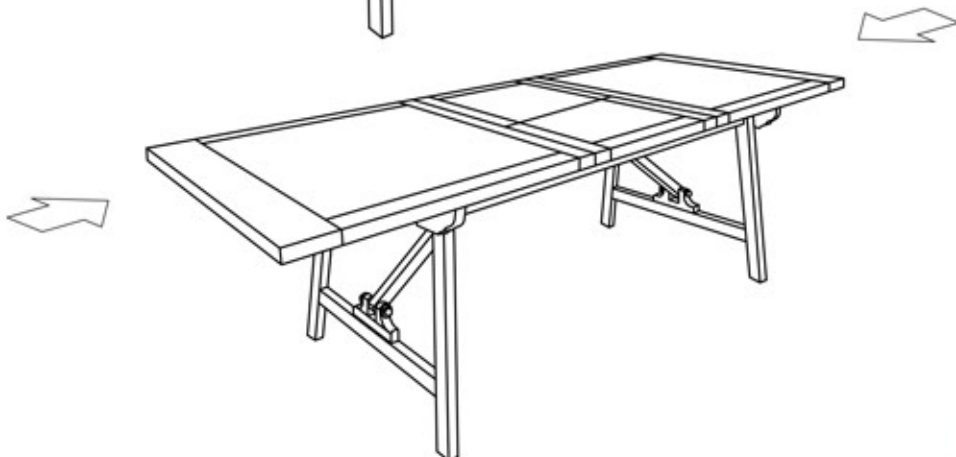


Fig.10