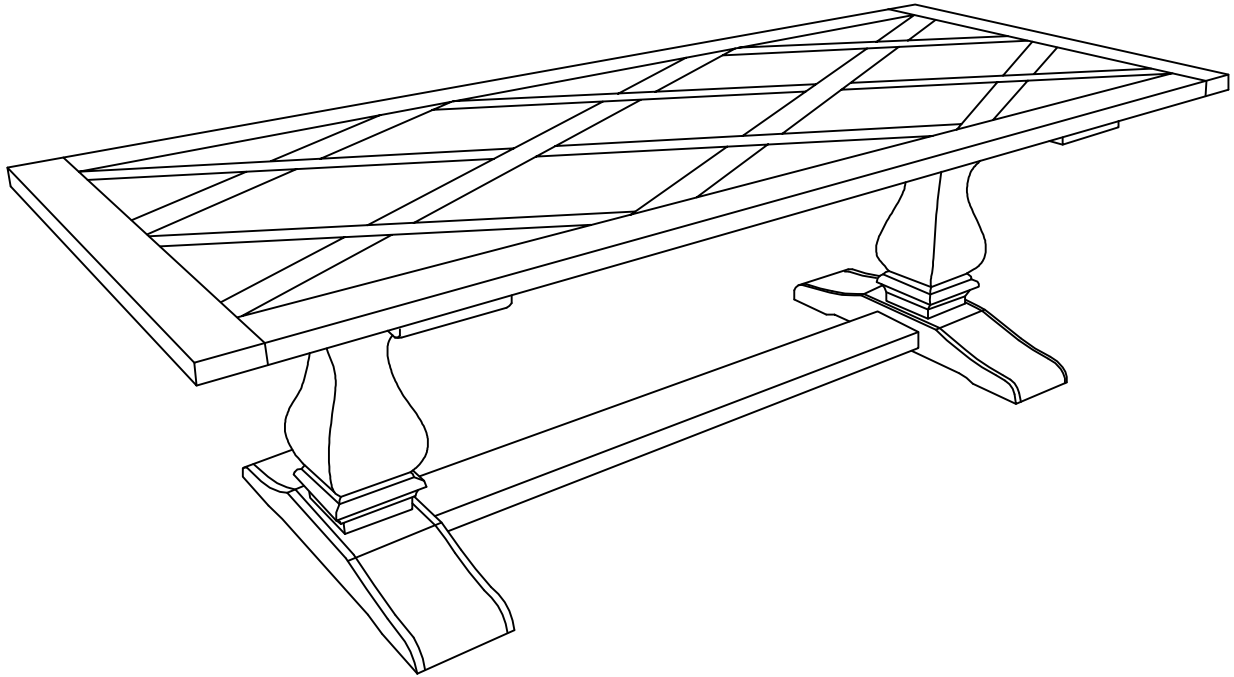


Hampton Dining Table HC01 Assembly Instruction

Thank you for buying our product

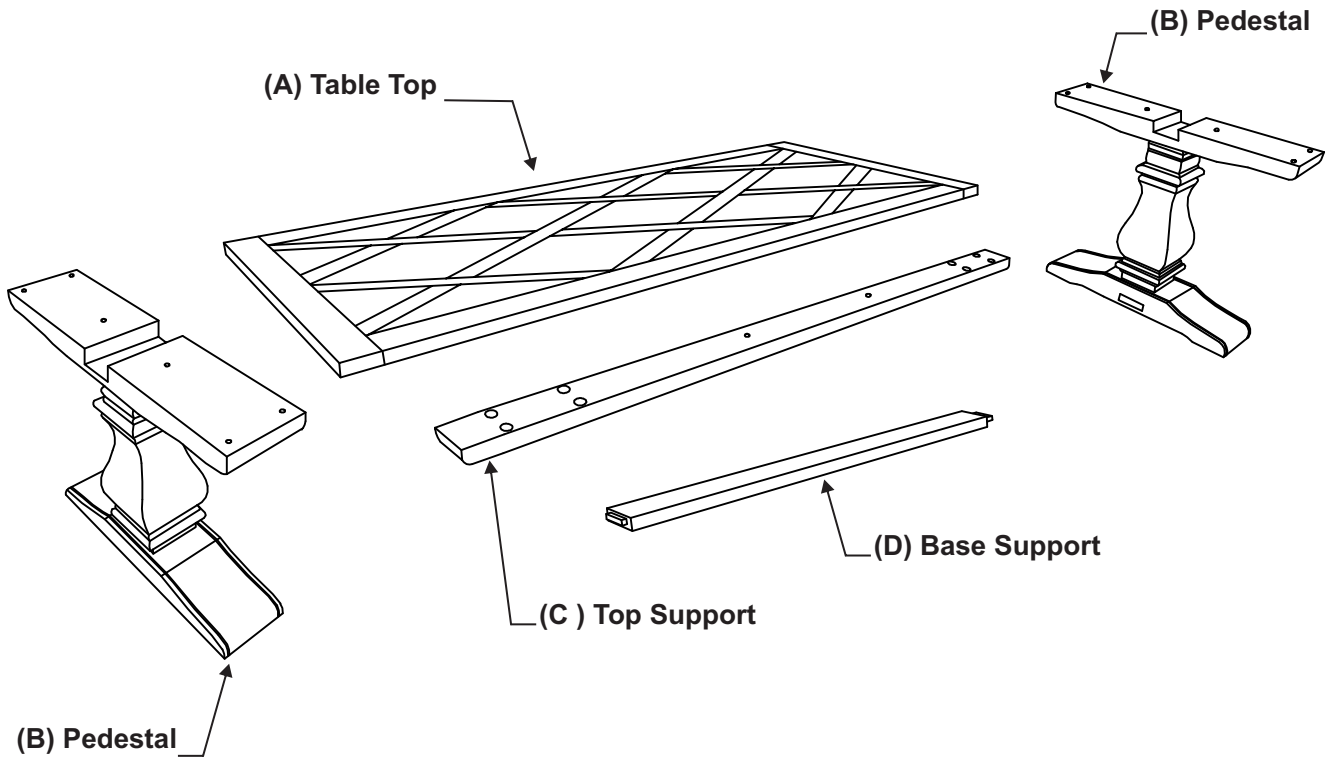


Step By Step Assembly Instructions

PRE-ASSEMBLY PREPARATION

1. Please check the pack contents before attempting to assemble this product.
A full checklist of components is given in this leaflet. If any components are missing, please contact the retailer from whom you bought this product.
2. This product is **VERY HEAVY**, It should be assembled as near as possible to the point of use. **TAKE CARE WHEN LIFTING** to avoid personal injury and (or) damage to the product.
3. This product takes approximately 60 minutes to assemble with 3 people.
4. The fitting pack contains **SMALL ITEMS** which should be :
"KEPT AWAY FROM YOUNG CHILDREN"
5. Read this leaflet in full before commencing assembly.
6. You will require a 12 and 13 mm spanner (not supplied).

Hampton Dining Table HC01 Assembly Instruction



HARDWARE IDENTIFICATION

| ITEM | DESCRIPTION | Qty |
|------|------------------------------------|-----|
| A | Table Top | 1 |
| B | Pedestal | 2 |
| C | Top Support | 1 |
| D | Base Support | 1 |
| E | Deck screw M6 x 90mm & Ring Washer | 4 |
| F | Deck screw M6 x 70mm & Ring Washer | 8 |
| G | Deck screw M6 x 60mm & Ring Washer | 2 |
| H | Bolt M8 x 70mm & Ring Washer | 8 |
| I | Nut & Special Washer | 2 |

Hampton Dining Table HC01 Assembly Instruction

Step 1

Place protective cardboard or blankets on the floor (make sure there is no debris) and place the Pedestal leg of the table upside down as per the diagram below (Fig.1) There are 2 x table leg marked clearly with white stickers (1 and 2). Underneath the table, there are corresponding marks (1 and 2).

Note : "1 or 2" marked on underside of table must be matched with "1 or 2" marked on each Pedestal leg and Base support.

1. Attach the Base support into the Pedestal leg (It's required one person to hold the base support while the other attach the Pedestal leg, locate special washer and nut onto the threaded bolt and tighten the nut using spanner (not provided).
2. Do the same way for the other Pedestal leg

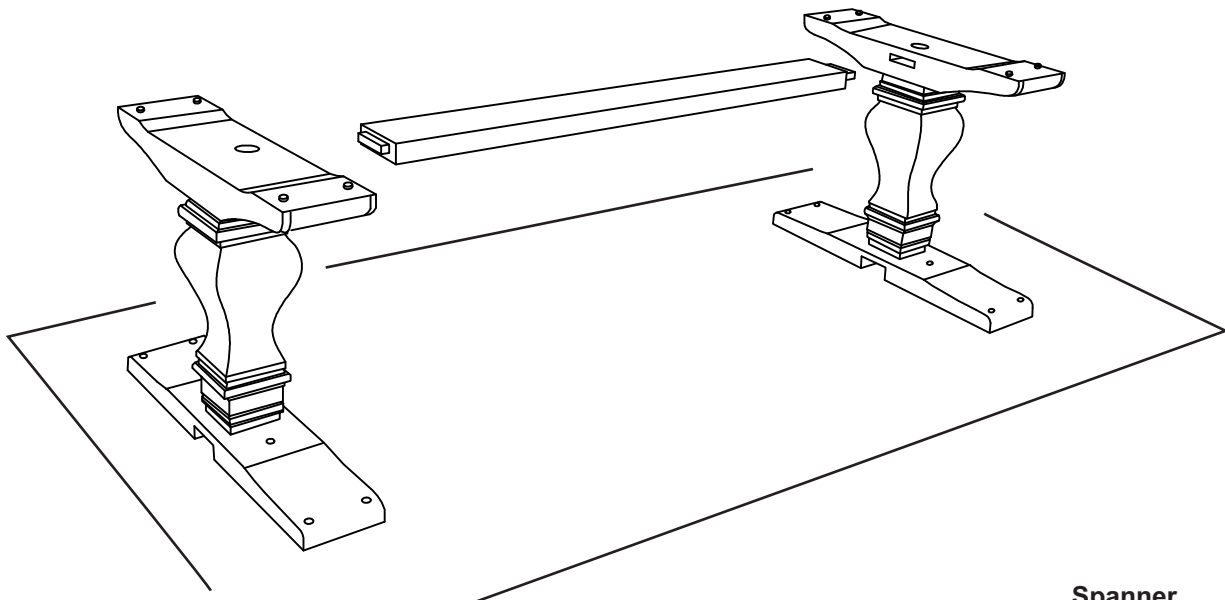
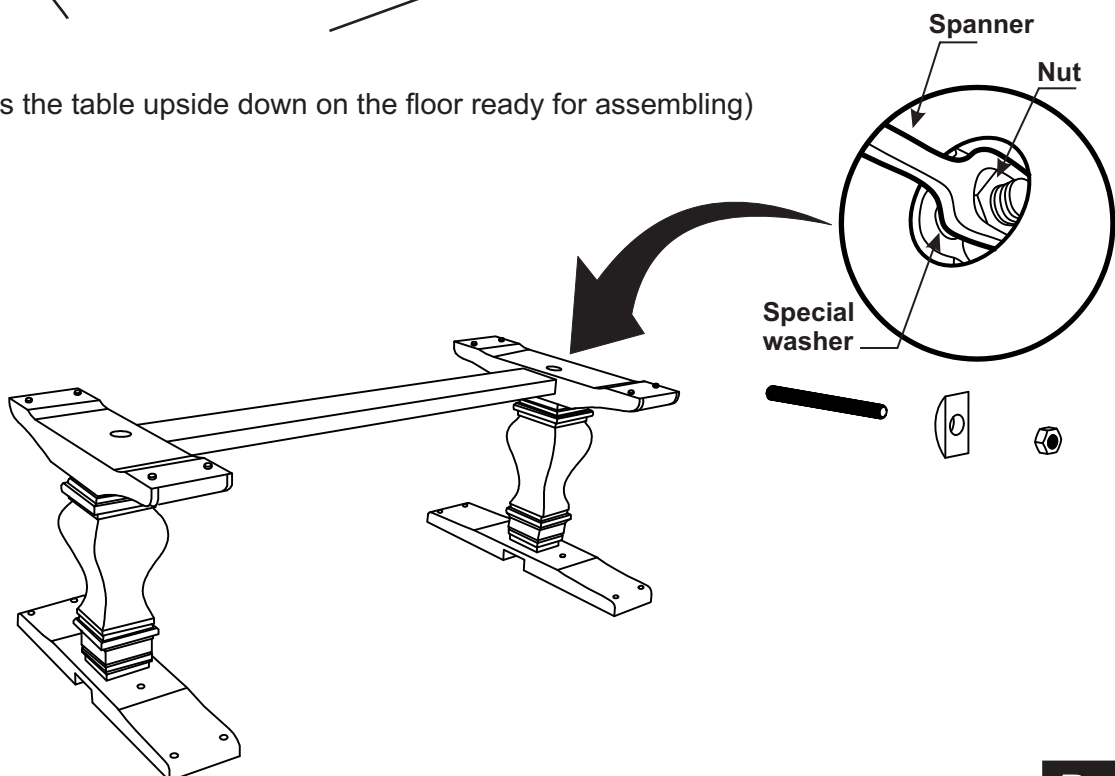


Fig.1 (Shows the table upside down on the floor ready for assembling)

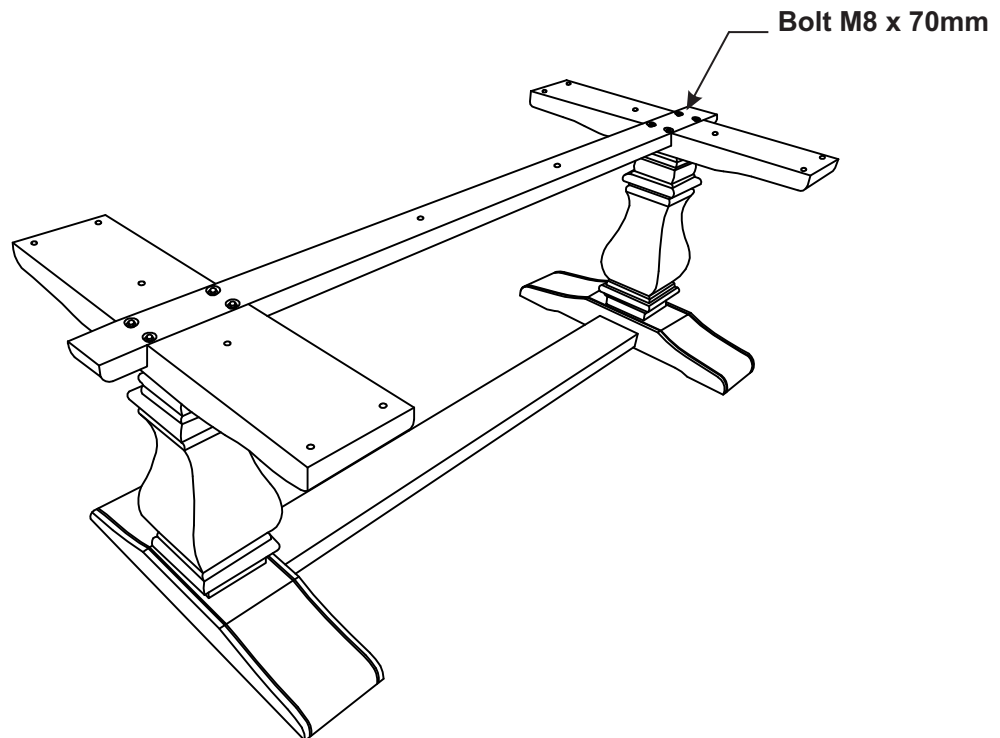
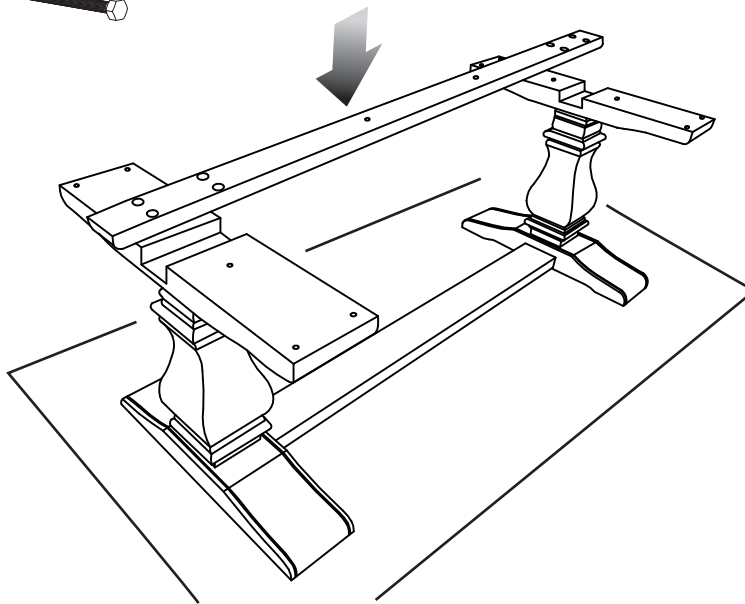


Hampton Dining Table HC01 Assembly Instruction

Step 2

1. Attach the top support into the Pedestal leg and used bolts and washer then tighten using spanner (not provided).
2. Do the same way for the other Pedestal leg

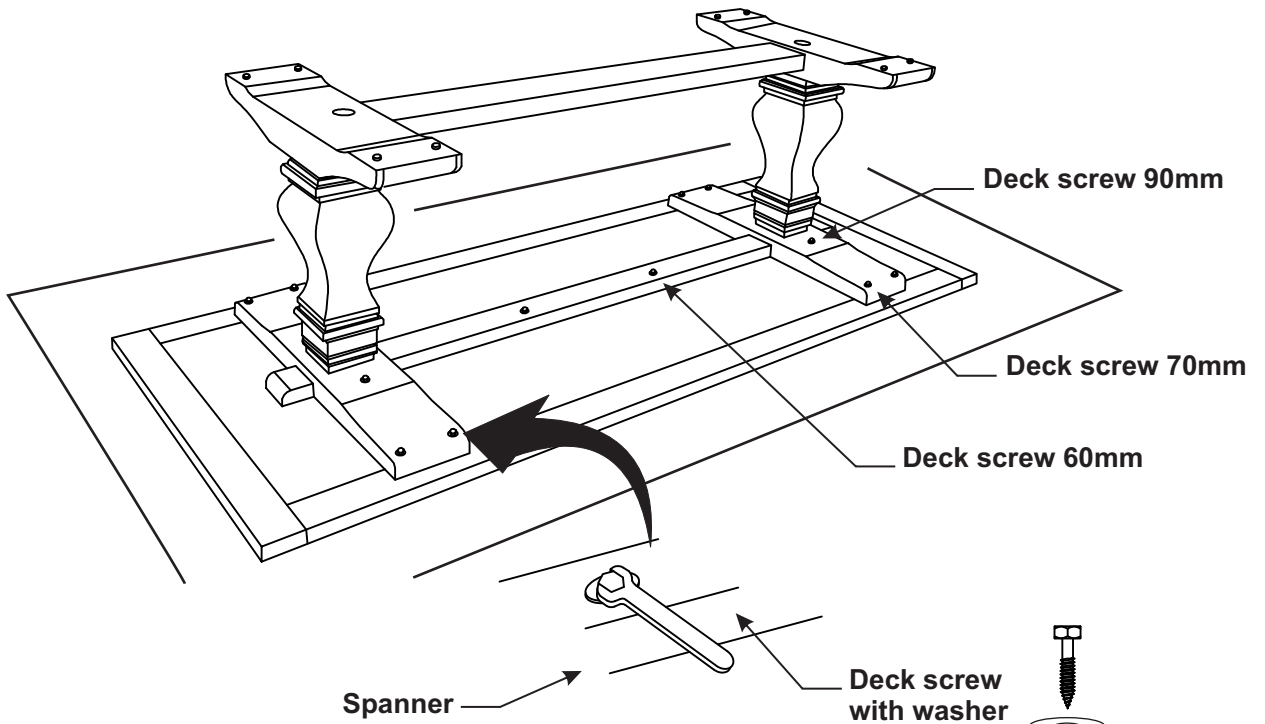
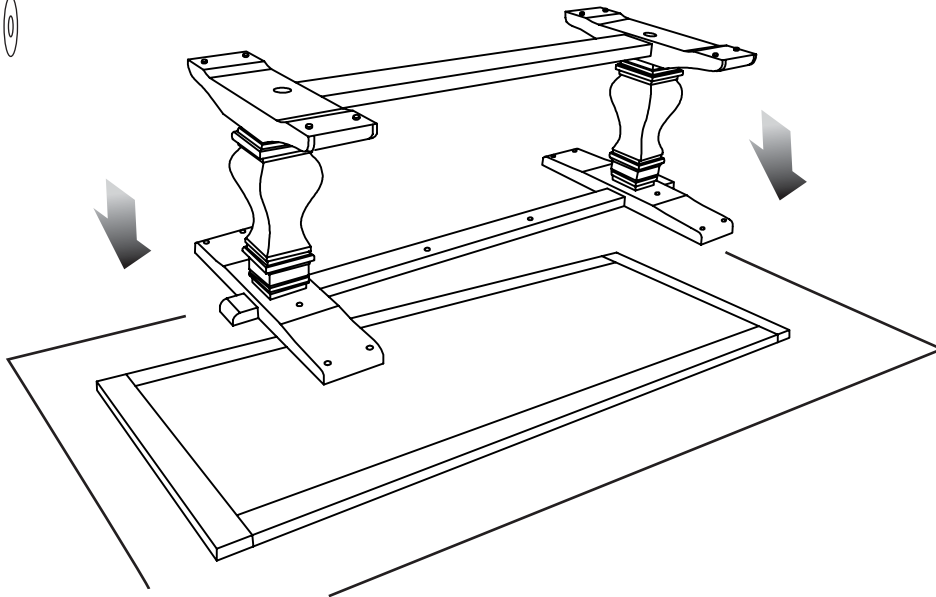
Bolt M8 x 70mm



Hampton Dining Table HC01 Assembly Instruction

Step 3

Attach the top support into the top table and used deckscrew and washer then tighten using spanner (not provided).



DONE !