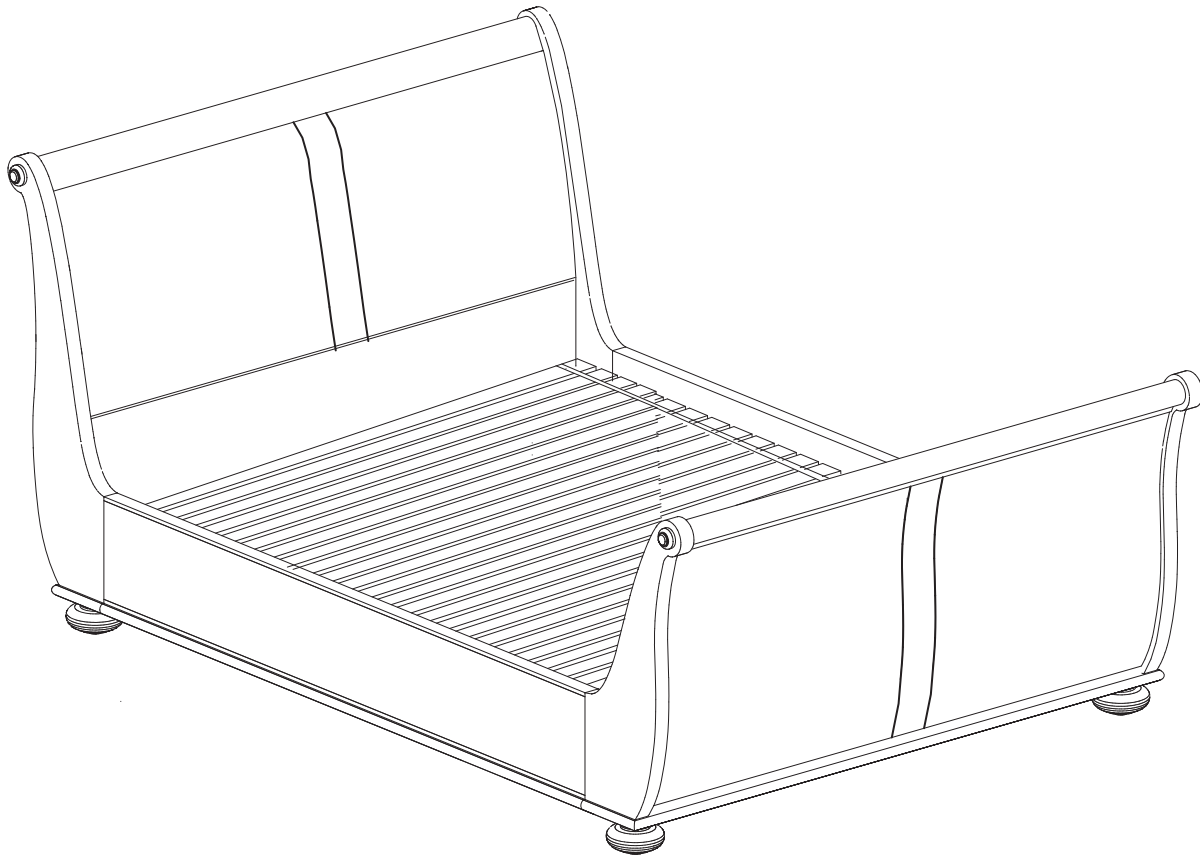


New Granada Bed Room GRB01 Assembly Instruction

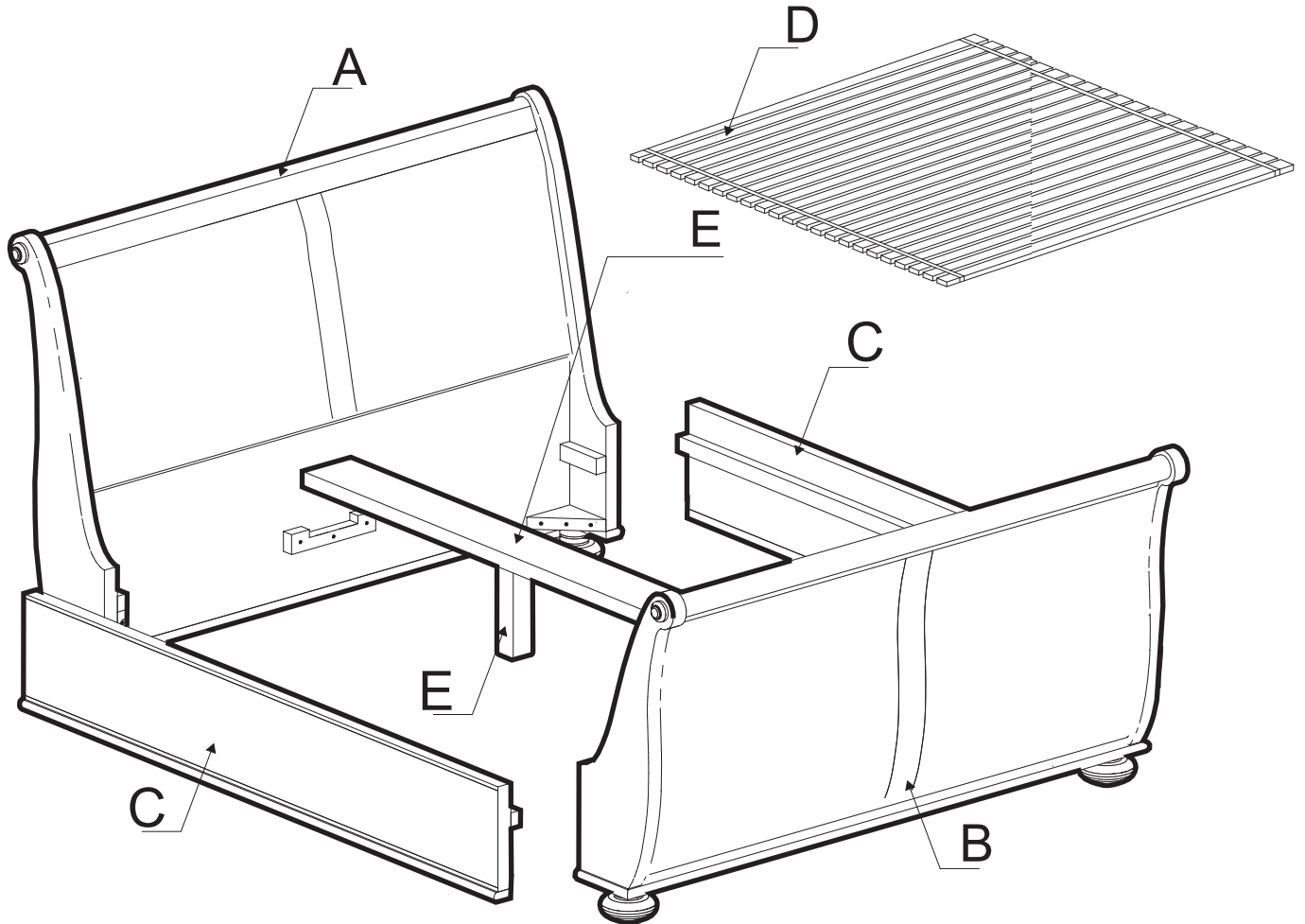


Step By Step Assembly Instructions

PRE-ASSEMBLY PREPARATION

1. Please check the pack contents before attempting to assemble this product.
A full checklist of components is given in this leaflet. If any components are missing, please contact the retailer from whom you bought this product.
2. This product is **Heavy**, it should be assembled as near as possible to the point of use.
TAKE CARE WHEN LIFTING to avoid personal injury and (or) damage to the product.
3. This product takes approximately **45 minutes** to assemble with 2 people.
4. This product already contains fitting which should be :
“ **KEPT AWAY FROM YOUNG CHILDREN** “
5. Read this leaflet in full before commencing assembly.

New Granada Bed Room GRB01 Assembly Instruction



HARDWARE IDENTIFICATION

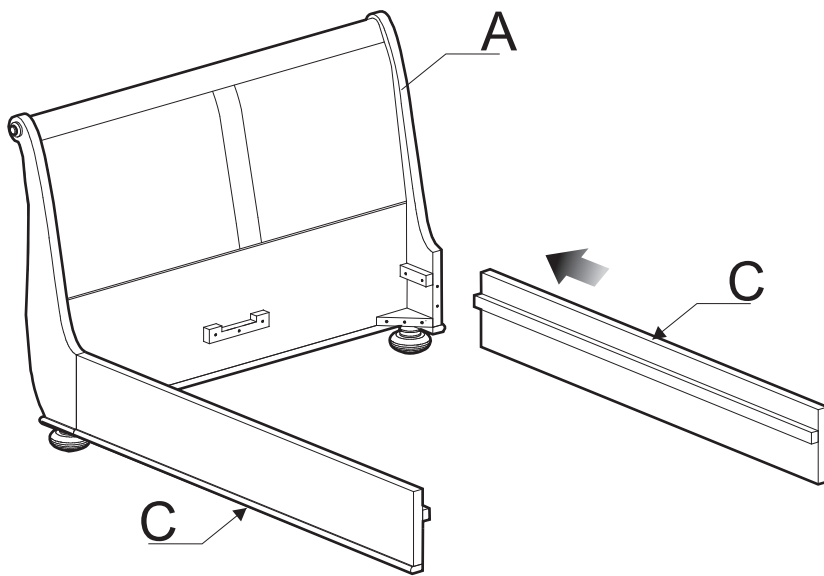
ITEM	DESCRIPTION	Qty
A	HEADBOARD	1
B	FOOTBOARD	1
C	SIDE RAILS	2
D	SLATS	16
E	SLATS SUPPORT	1
F	BOLT CONNECTING RAIL (Embedded in side rail)	8

New Granada Bed Room GRB01 Assembly Instruction

1. HEADBOARD AND SIDE RAIL ASSEMBLY

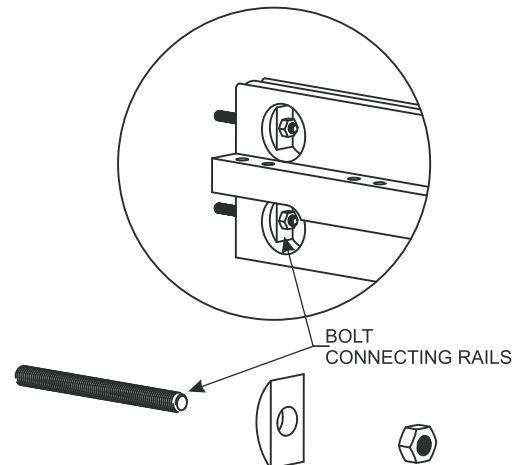
Step 1

1. "Left / Right" marked on headboard must be matched with "Left/Right" marked on each side rail.

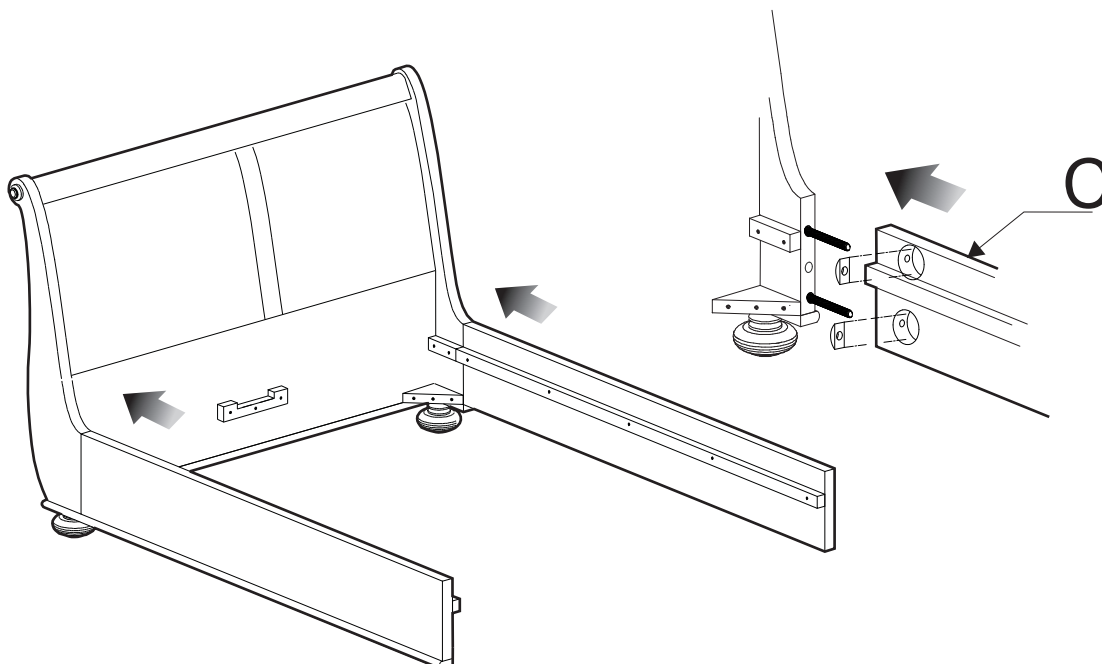


Note :

- It's required one person to hold the headboard while the other attaches the side rail.
- This bed needs both side rails attaching to the headboard first.



2. The side rail must be pushed down hard to get it level with headboard. Headboard may need to be adjusted as well.

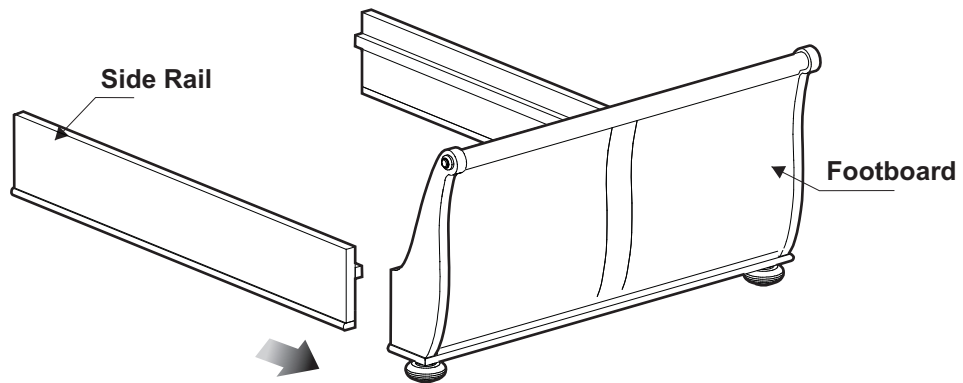


New Granada Bed Room GRB01 Assembly Instruction

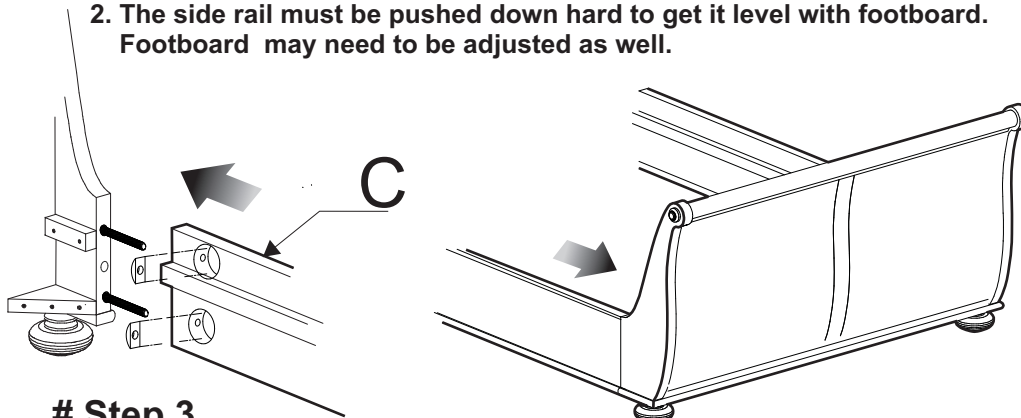
2. FOOTBOARD AND SIDE RAIL ASSEMBLY

Step 2

1. "Left / Right" marked on footboard must be matched with "Left/Right" marked on each side rail.



2. The side rail must be pushed down hard to get it level with footboard. Footboard may need to be adjusted as well.



Step 3

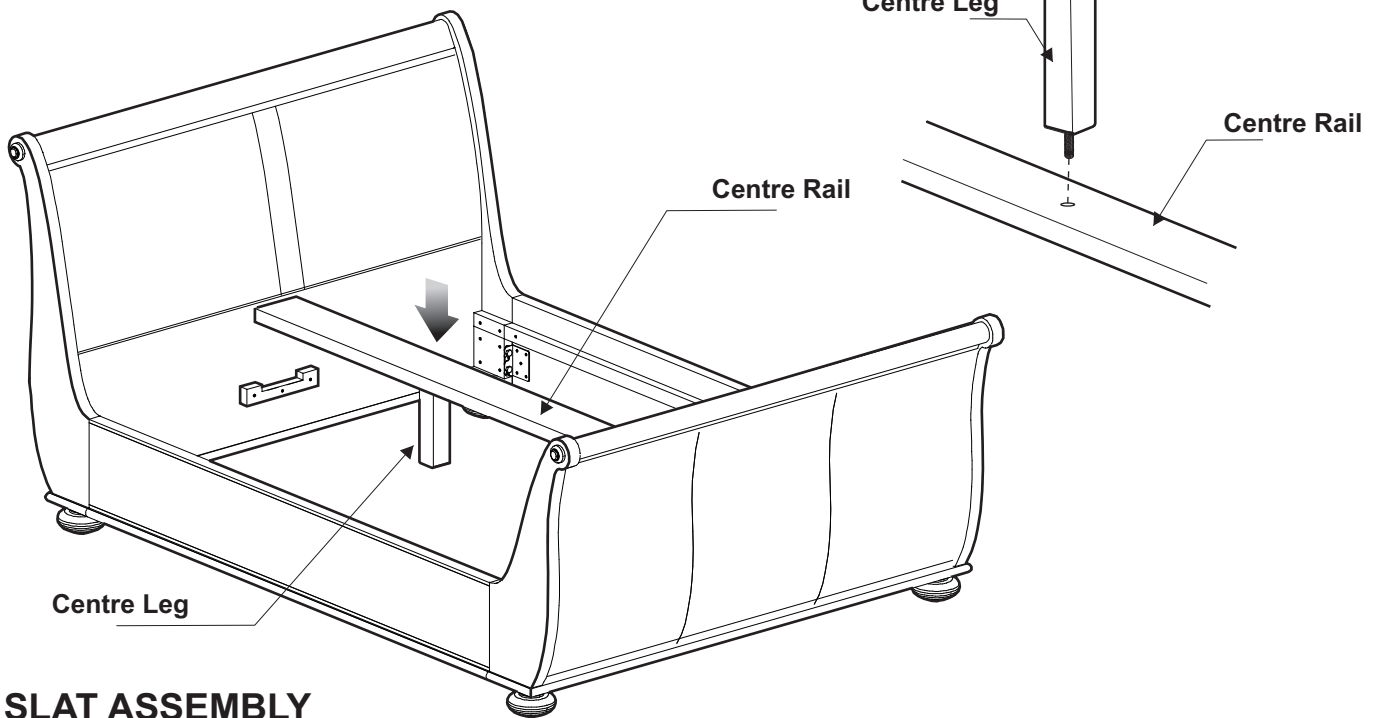
Once step 1 and step 2 are complete, side rail should be level with both the headboard and footboard. The bolt can be screwed well.

New Granada Bed Room GRB01 Assembly Instruction

3. CENTRE RAIL ASSEMBLY

- Insert the Centre legs into Centre Rail

(Turn clockwise to tighten)



4. SLAT ASSEMBLY

- Insert the Slat into Centre Rail and use screw on edge slat.

