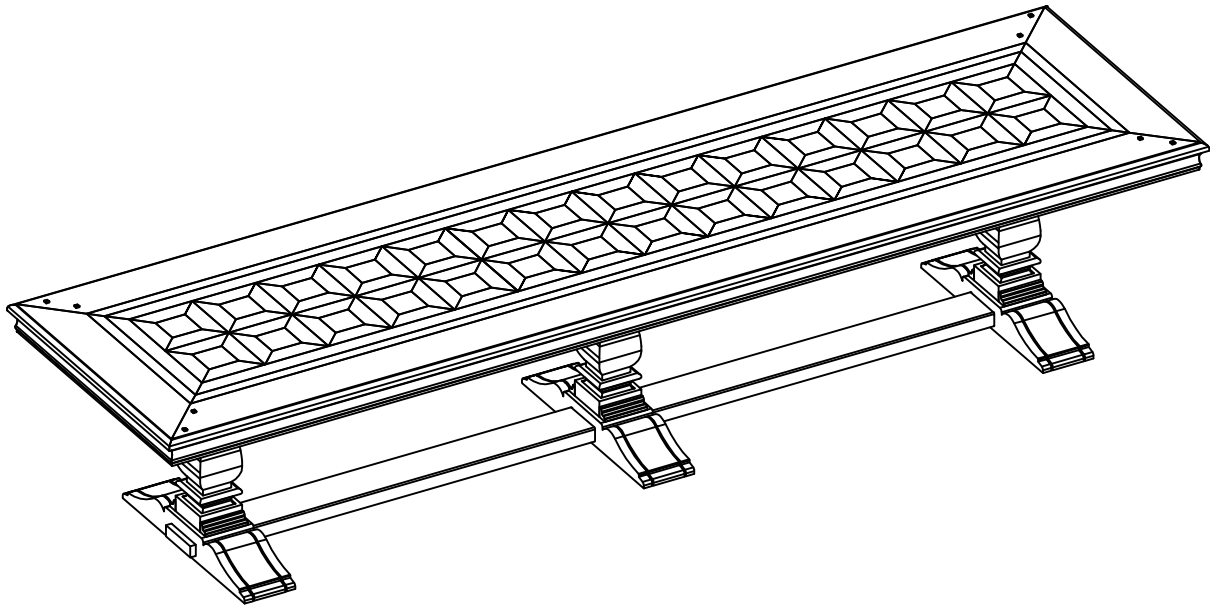


Centurian Dining Table DT06-A Assembly Instruction

Thank you for buying our product

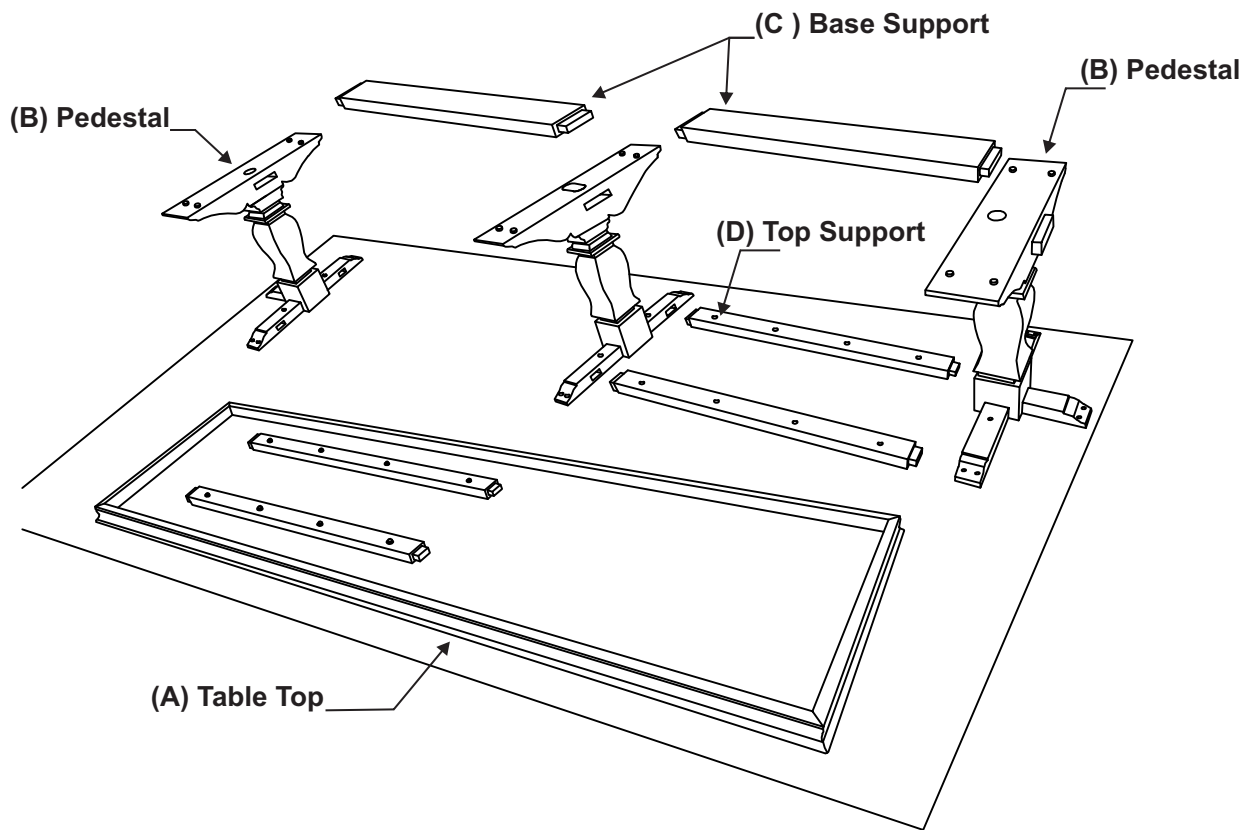


Step By Step Assembly Instructions

PRE-ASSEMBLY PREPARATION

1. Please check the pack contents before attempting to assemble this product.
A full checklist of components is given in this leaflet. If any components are missing, please contact the retailer from whom you bought this product.
2. This product is **VERY HEAVY**, It should be assembled as near as possible to the point of use. **TAKE CARE WHEN LIFTING** to avoid personal injury and (or) damage to the product.
3. This product takes approximately 60 minutes to assemble with 4 people.
4. The fitting pack contains **SMALL ITEMS** which should be :
“**KEPT AWAY FROM YOUNG CHILDREN**“
5. Read this leaflet in full before commencing assembly.
6. You will require a 12 and 13 mm spanner (not supplied).

Centurian Dining Table DT06-A Assembly Instruction



HARDWARE IDENTIFICATION

ITEM	DESCRIPTION	Qty
A	Table Top	1
B	Pedestal	3
C	Base Support	2
D	Top Support	2
E	Deck screw M6 x 75mm & Ring Washer	6
F	Deck screw M6 x 50mm & Ring Washer	24
G	Nut & Special Washer	4

Centurian Dining Table DT06-A Assembly Instruction

Step 1

Place protective cardboard or blankets on the floor (make sure there is no debris) and place the top of the table upside down as per the diagram below (Fig.1)
There are 3 x table leg marked clearly with white stickers (1, 2 and 3). Underneath the table, there are corresponding marks (1, 2 and 3).

Fit the pedestal table leg (1) to underside of table marked (1)
and do the same with pedestal leg (2) to underside of table (2)
and do the same with pedestal leg (3) to underside of table (3).
Important Notice : Ensure the bolts are inserted as below

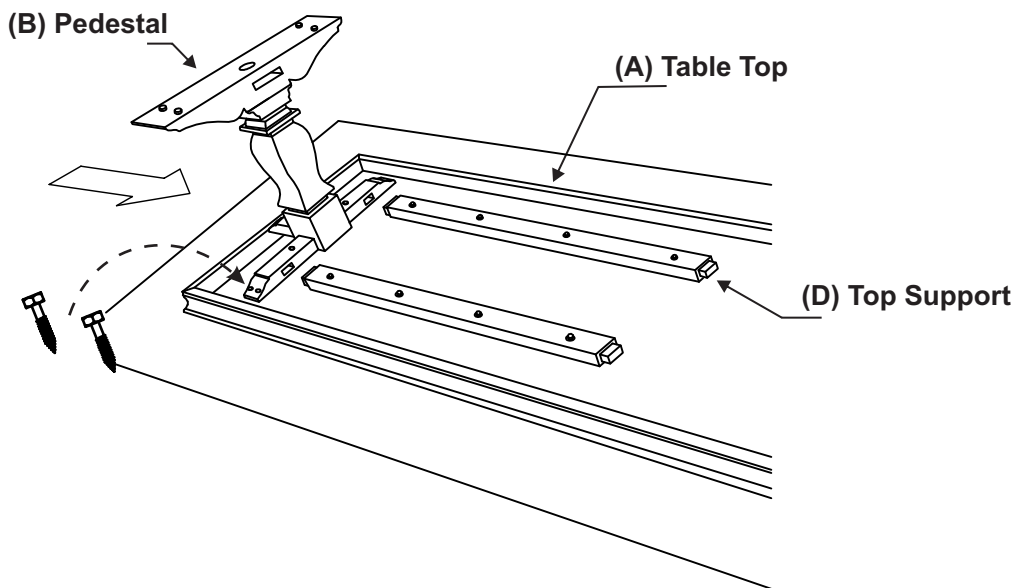


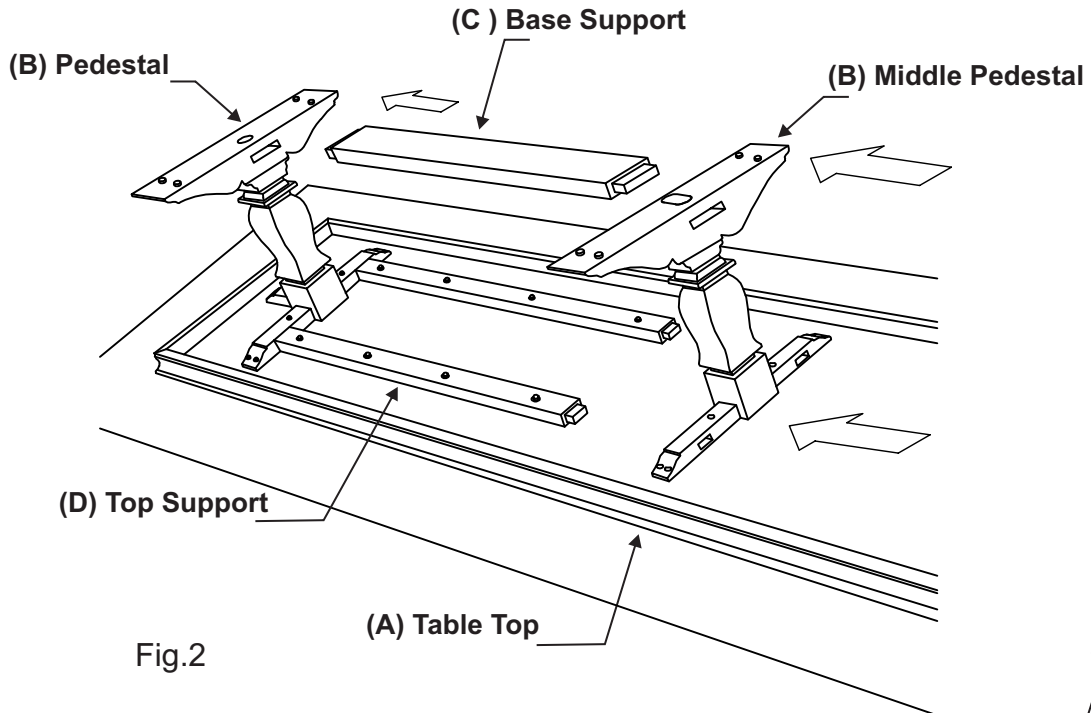
Fig.1 (Shows the table upside down on the floor ready for assembling)

Step 2

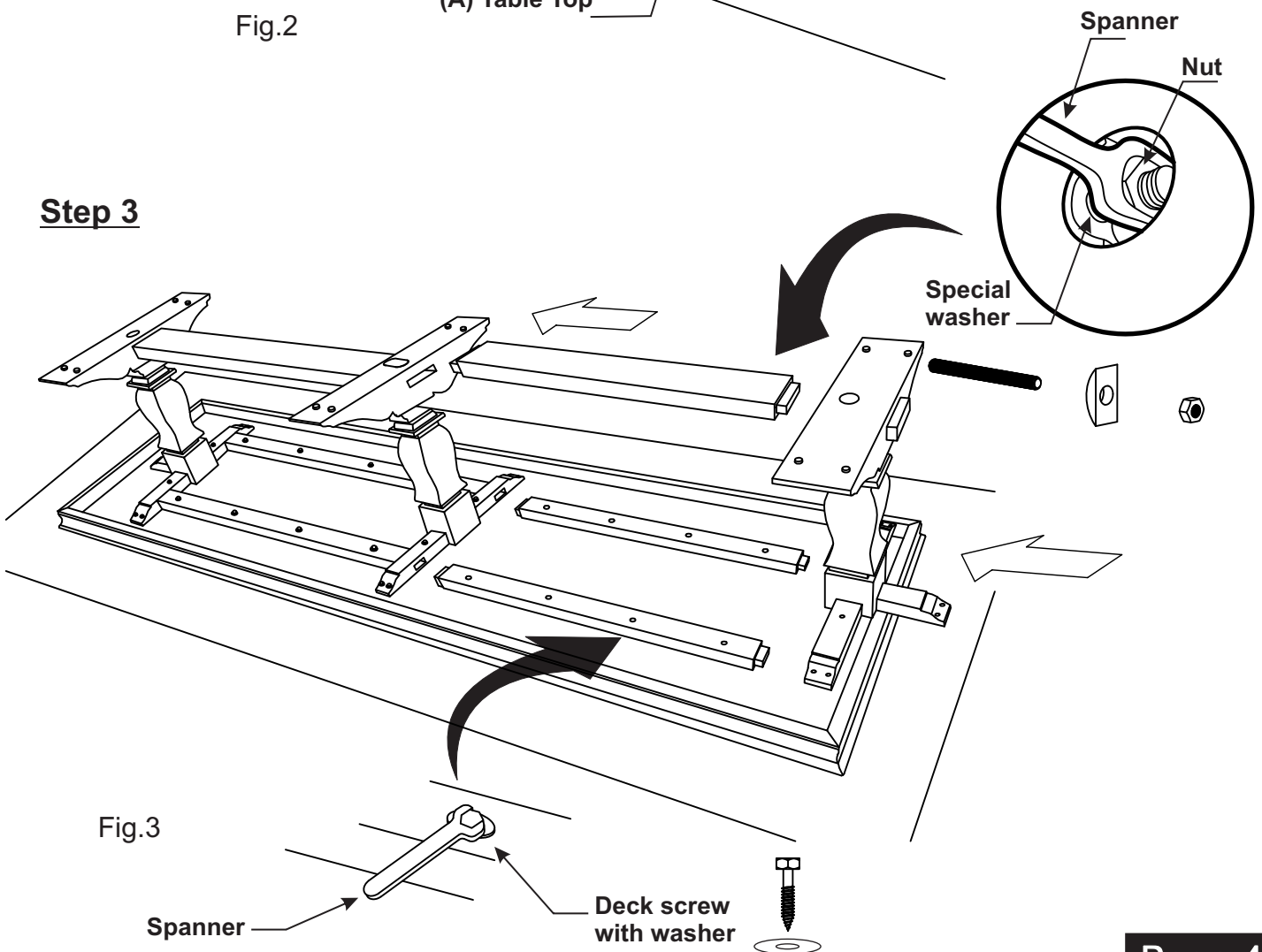
1. Attach the Pedestal leg into the Table Top with the positions of the locating tenons top support, Tighten the Deck screws firmly using spanner (make sure with the washer)
2. Attach the Base support into the Pedestal leg (It's required one person to hold the base support while the other attach the Middle Pedestal leg, locate special washer and nut onto the threaded bolt and tighten the nut using spanner (not provided).
3. Do the same way for the other Pedestal leg

Note : "1, 2 or 3" marked on underside of table must be matched with "1, 2 or 3" marked on each Pedestal leg and Base support.

Centurian Dining Table DT06-A Assembly Instruction



Step 3



Centurian Dining Table DT06-A Assembly Instruction

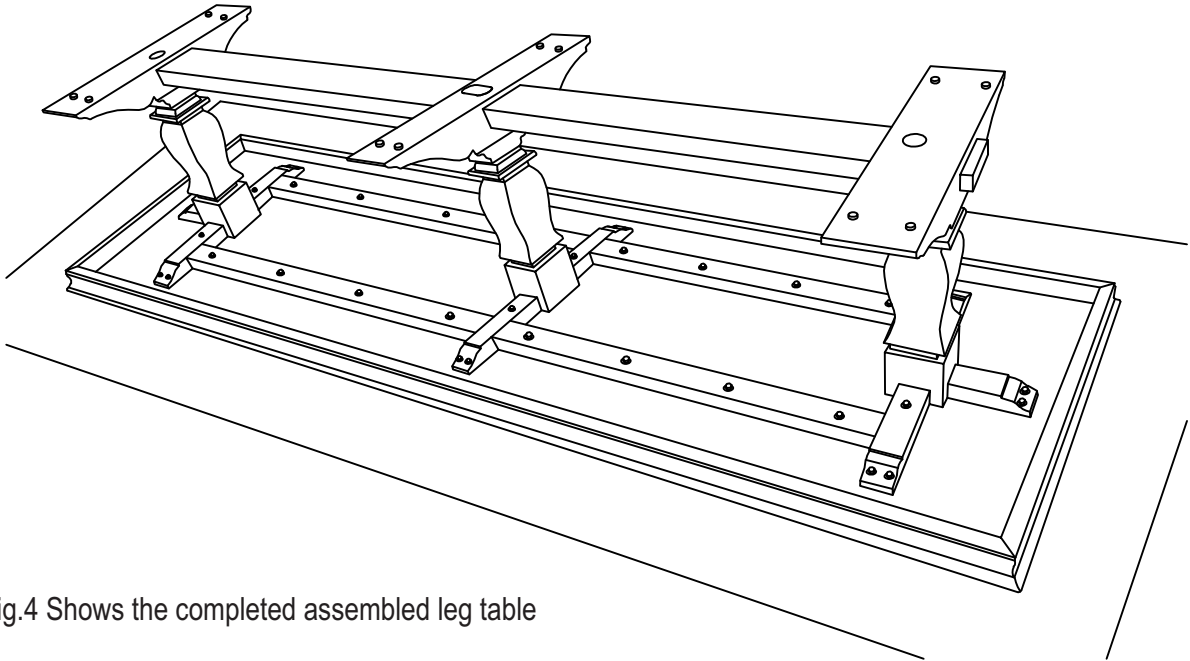
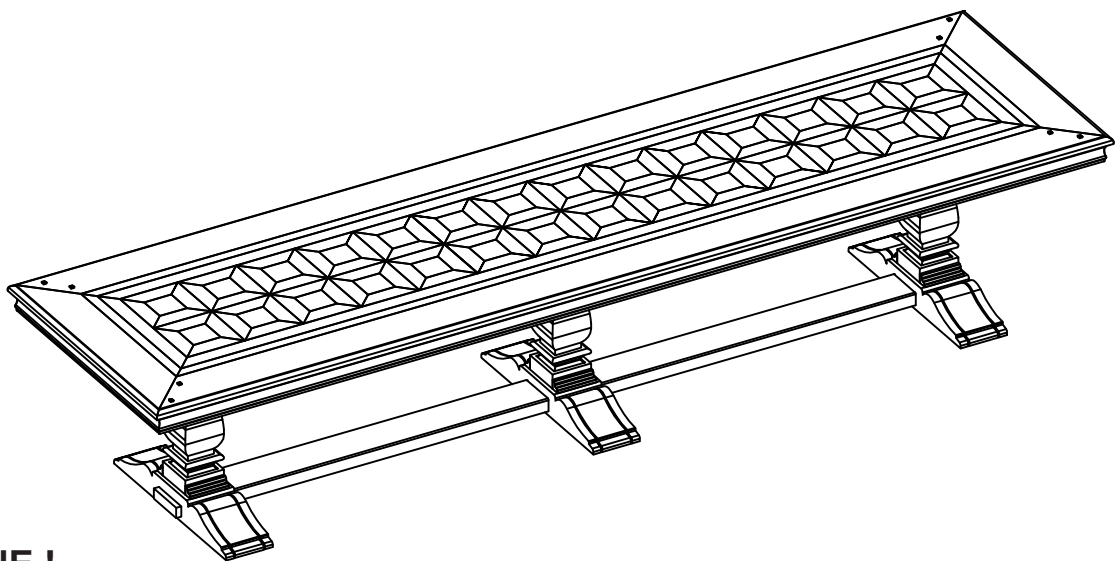


Fig.4 Shows the completed assembled leg table



DONE !