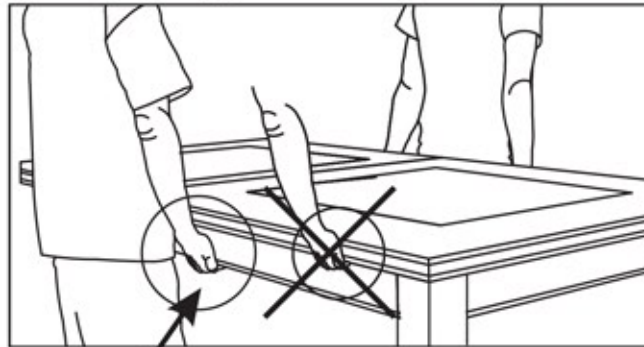
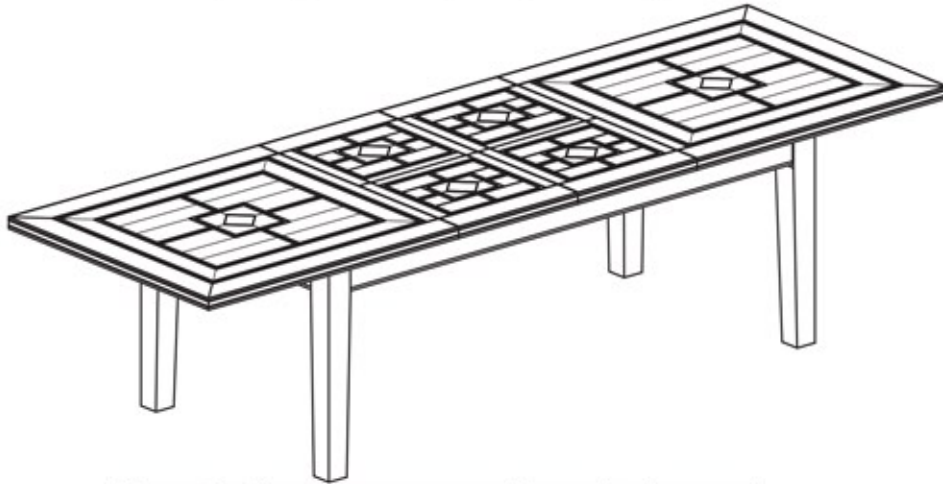


**DT02**  
**( EXTENDING BUTTERFLY 2 LEAVES**  
**PARQUET TABLE )**  
**ASSEMBLY INSTRUCTION**

*Thank you for buying our product*



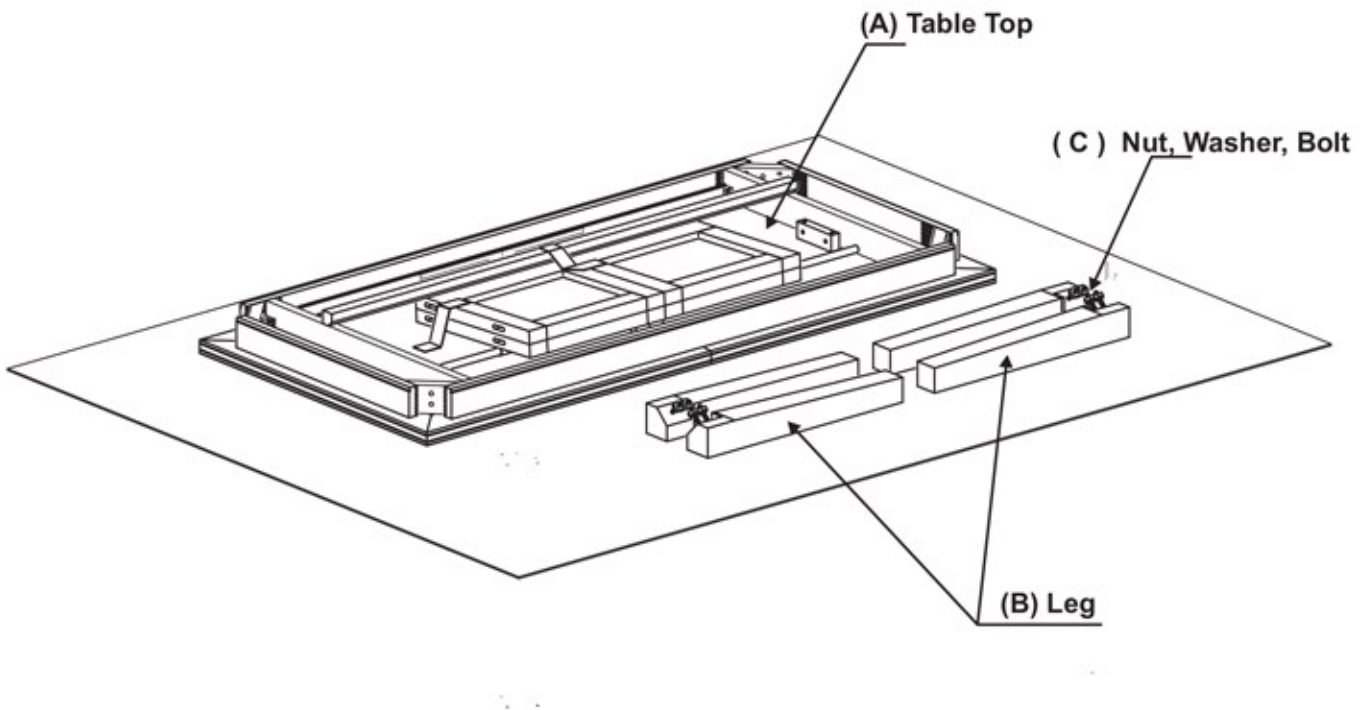
**WARNING: MUST LIFT HERE**

## Step By Step Assembly Instructions

### PRE-ASSEMBLY PREPARATION

1. Please check the pack contents before attempting to assemble this product.  
A full checklist of components is given in this leaflet. If any components are missing, please contact the retailer from whom you bought this product.
2. This product is **VERY HEAVY**, It should be assembled as near as possible to the point of use. **TAKE CARE WHEN LIFTING** to avoid personal injury and ( or ) damage to the product.
3. This product takes approximately 60 minutes to assemble with 3 people.
4. The fitting pack contains **SMALL ITEMS** which should be :  
**"KEPT AWAY FROM YOUNG CHILDREN"**
5. Read this leaflet in full before commencing assembly.
6. You will require a 17 mm spanner (not supplied).

**DT02**  
**( EXTENDING BUTTERFLY 2 LEAVES**  
**PARQUET TABLE )**  
**ASSEMBLY INSTRUCTION**



**HARDWARE IDENTIFICATION**

ITEM	DESCRIPTION	Qty
A	Table Top	1
B	Leg	4
C	Nut, Washer, Bolt	8

**DT02**  
**( EXTENDING BUTTERFLY 2 LEAVES**  
**PARQUET TABLE )**  
**ASSEMBLY INSTRUCTION**

**Step 1**

Place protective cardboard or blankets on the floor (make sure there is no debris) and place the top of the table upside down as per the diagram below (Fig.1)

Cut the webbing, unlock the mechanism and loose the wooden block

Fig.1 (Shows the table upside down on the floor ready for assembling)

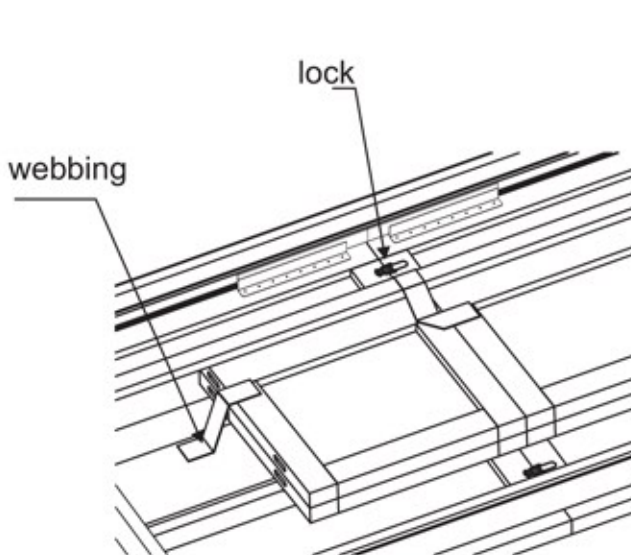
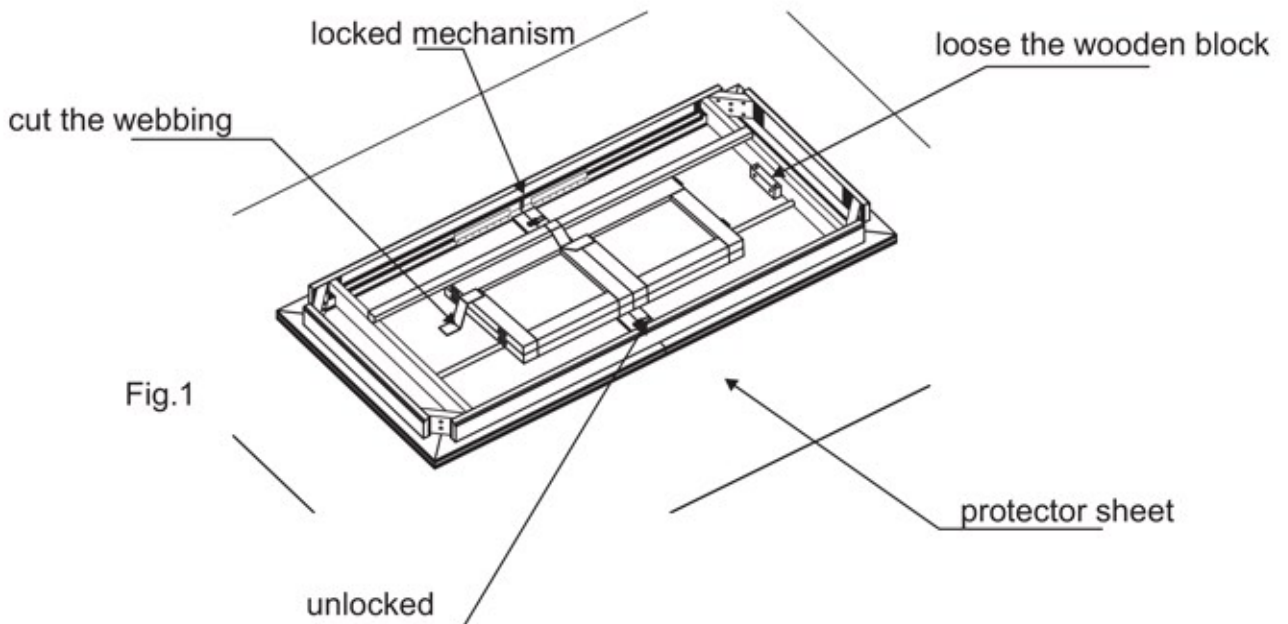


Fig.2

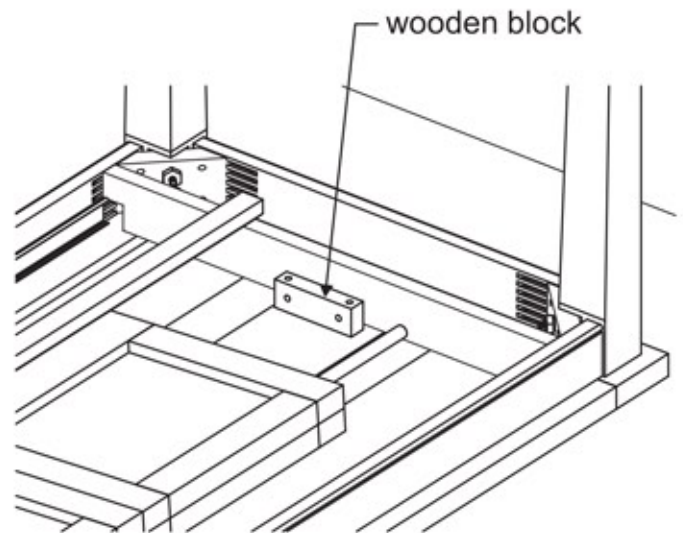


Fig.3

**DT02**  
**( EXTENDING BUTTERFLY 2 LEAVES**  
**PARQUET TABLE )**  
**ASSEMBLY INSTRUCTION**

**Step 2**

There are 4 x table leg marked clearly with white stickers ( 1, 2, 3 and 4 ). Underneath the table, there are corresponding marks ( 1, 2, 3 and 4 ).

Fit the table leg ( 1 ) to underside corner of table marked ( 1 )  
and do the same with leg ( 2 ) to underside corner of table ( 2 )  
and do the same with leg ( 3 ) to underside corner of table ( 3 )  
and do the same with leg ( 4 ) to underside corner of table ( 4 ).

Important Notice : Ensure the bolts are inserted as below

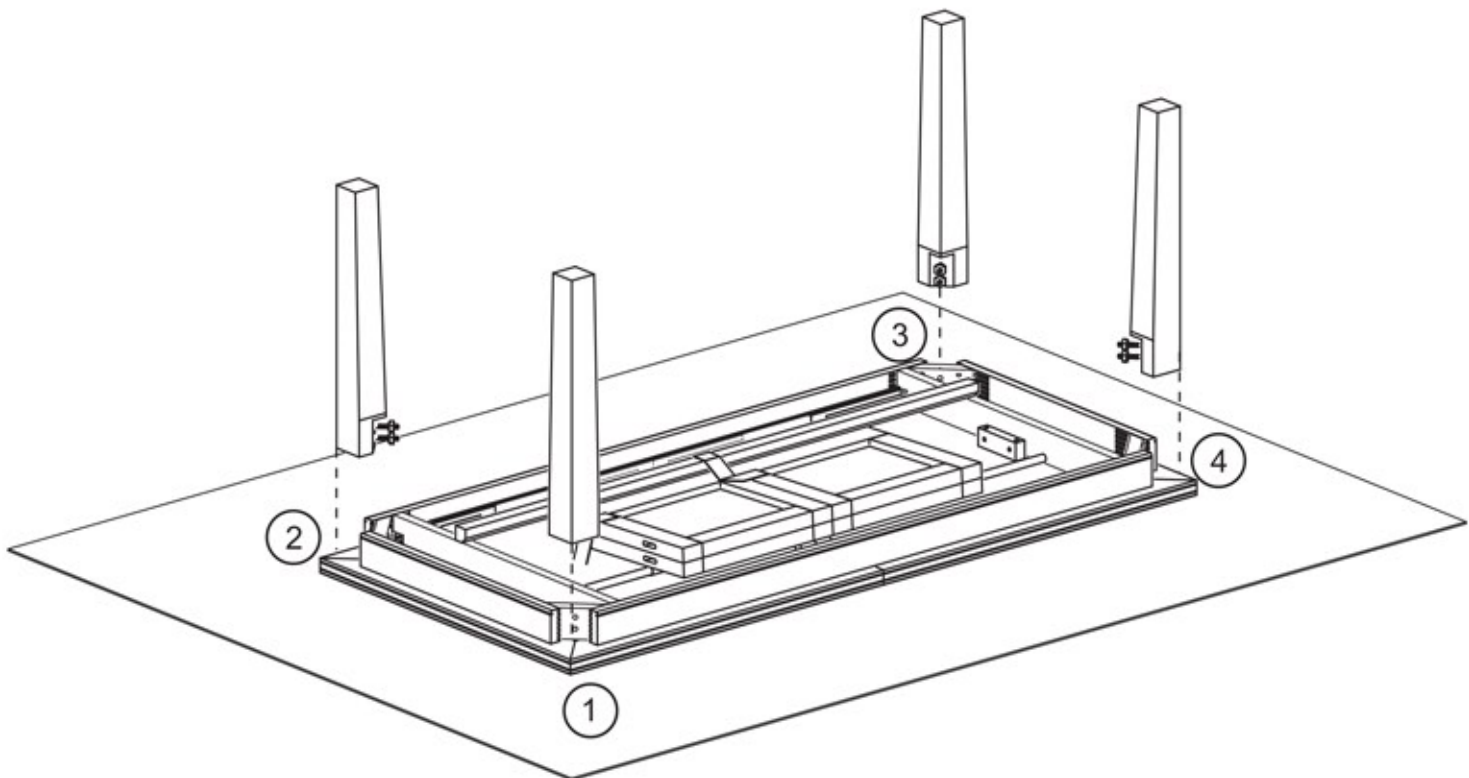


Fig.4



**DT02**  
**( EXTENDING BUTTERFLY 2 LEAVES**  
**PARQUET TABLE )**  
**ASSEMBLY INSTRUCTION**

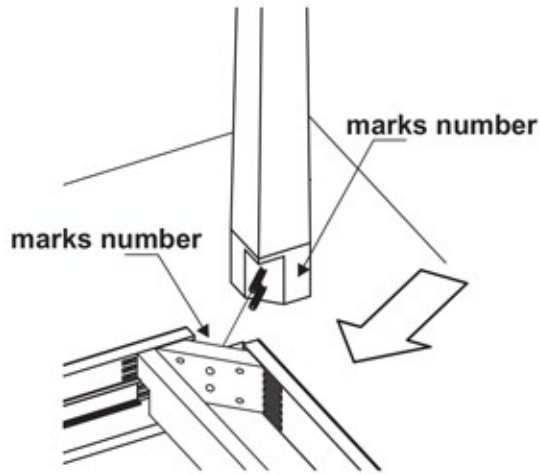


Fig.5

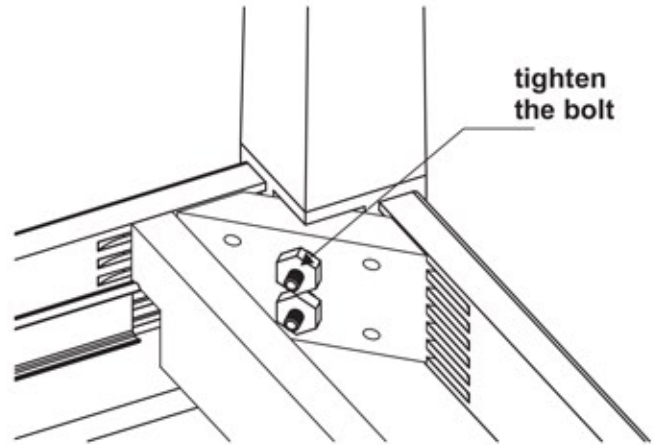


Fig.6

Fig.5 Shows the underside of the table with clear markings of 1 with 1, and 2 with 2, and 3 with 3, and 4 with 4, also show bolts nut and washer.

Fig.6 **Tighten the bolts firmly** ( make sure the washer is on the outside of the corner )

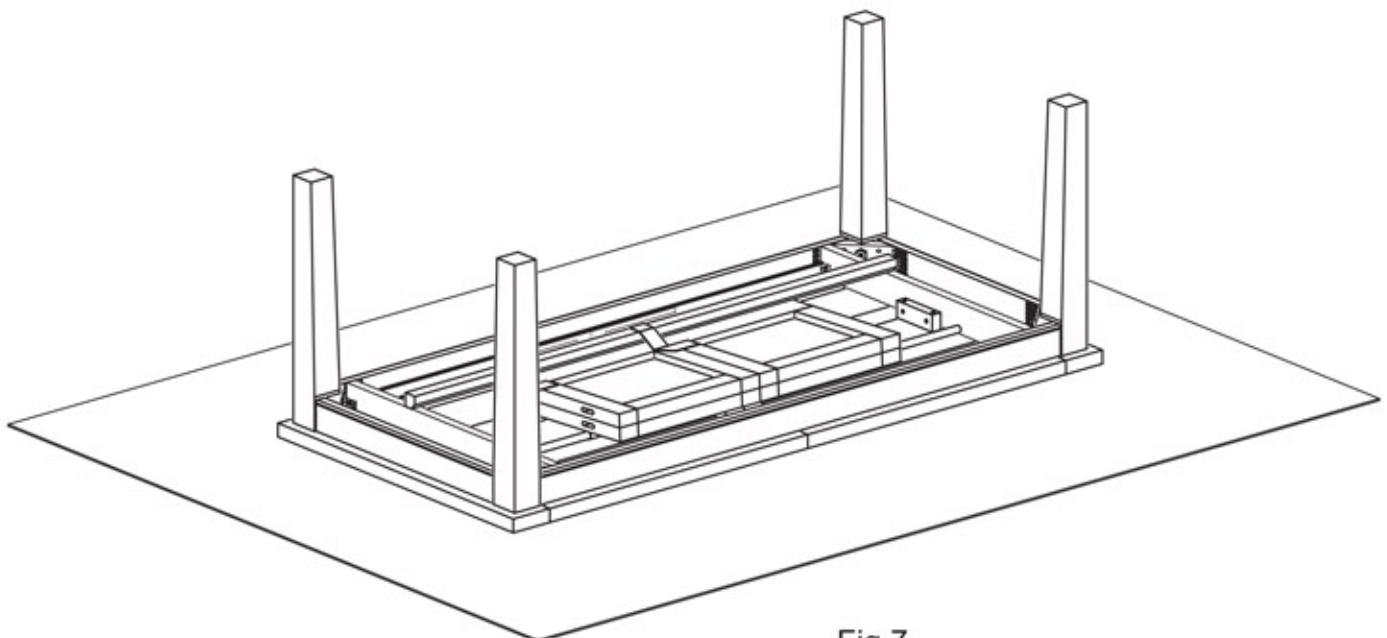


Fig.7

Fig. 7 Shows the completed assembled leg table

**DT02**  
**( EXTENDING BUTTERFLY 2 LEAVES**  
**PARQUET TABLE )**  
**ASSEMBLY INSTRUCTION**

**Step 3**

Turn the table over. First on to one side then carefully using at least 2 men turn the table into its final operating position. **THIS PRODUCT IS HEAVY.**

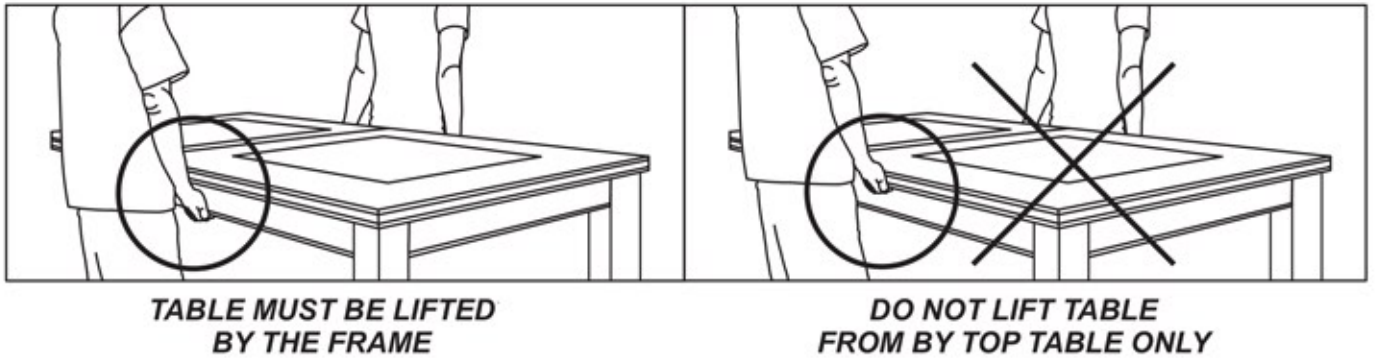


Fig.7

**IMPORTANT NOTICE:**

PLEASE ENSURE THAT TABLE IS LIFTED AND TURNED BY HOLDING ON TO FRAME, NOT THE TABLE TOP PANEL ONLY

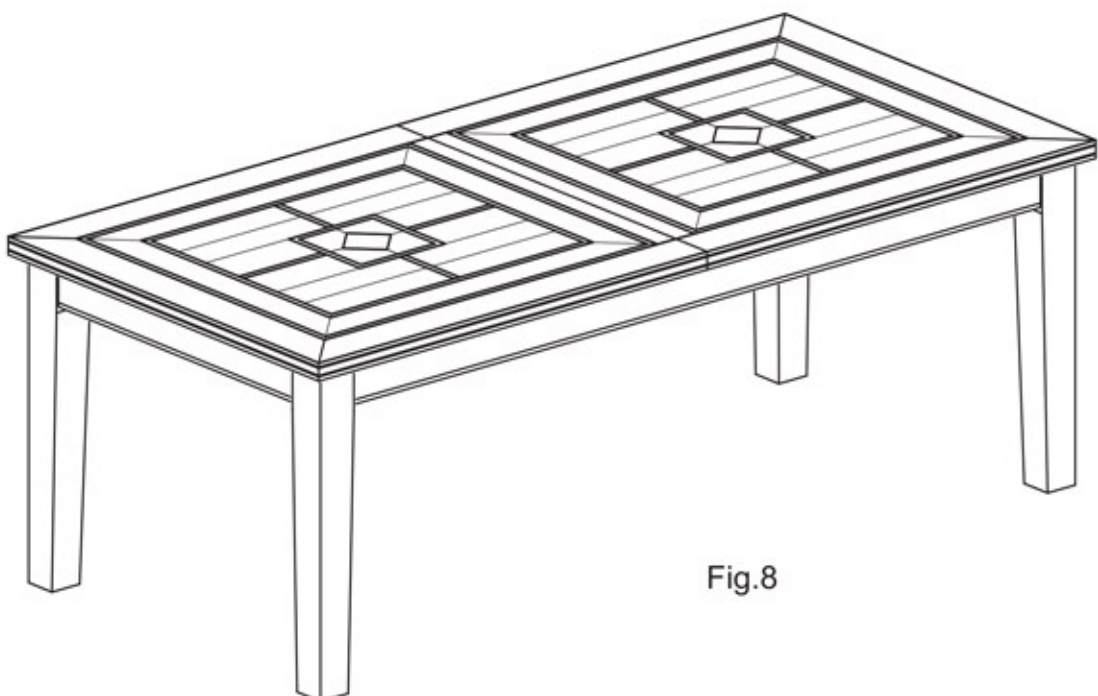


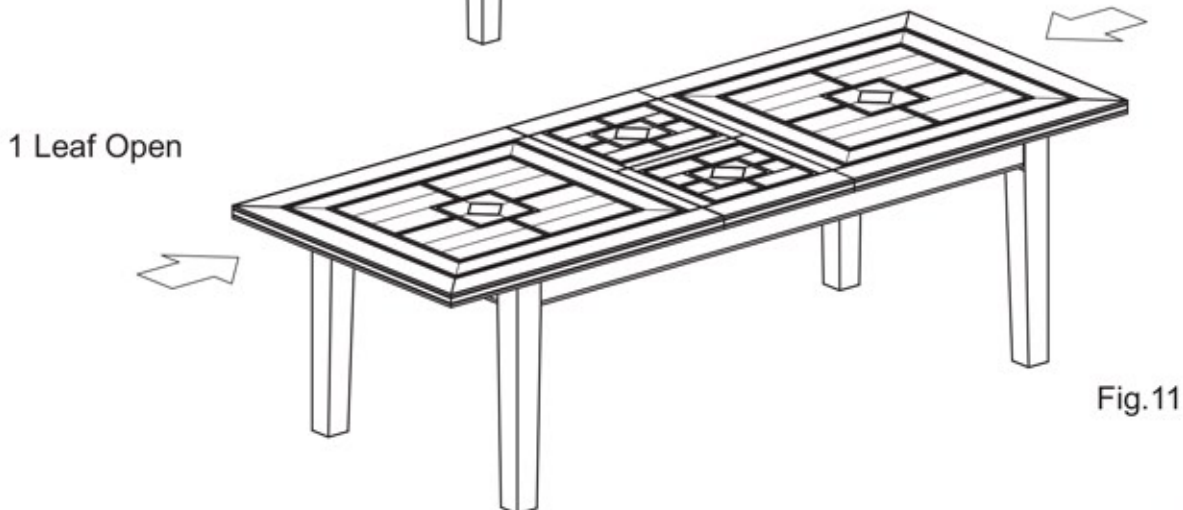
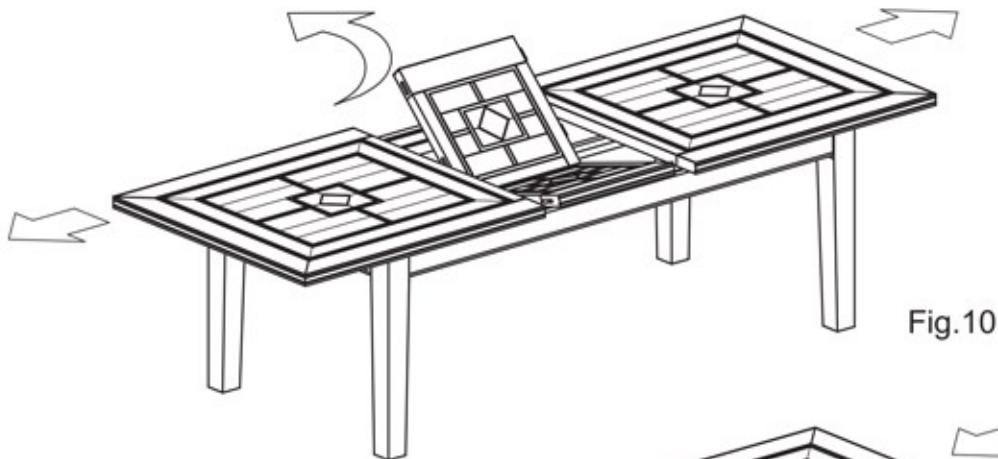
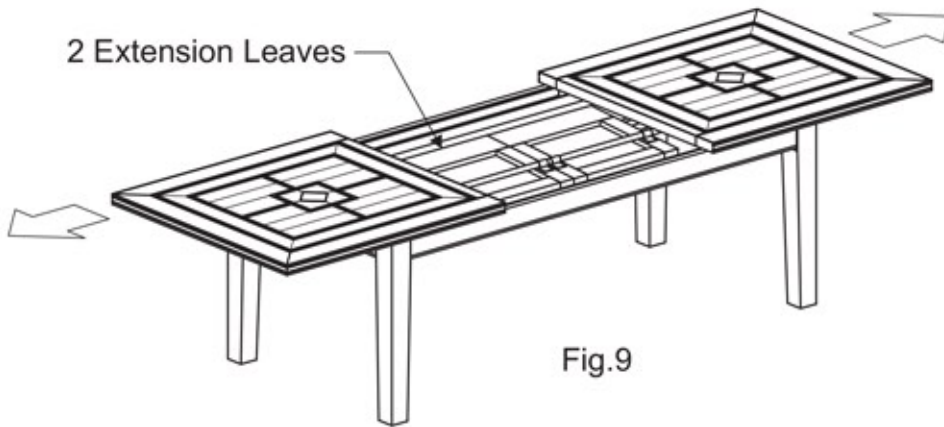
Fig.8

Finally re - tighten the 8 nuts and bolts from underneath.

**DT02**  
**( EXTENDING BUTTERFLY 2 LEAVES**  
**PARQUET TABLE )**  
**ASSEMBLY INSTRUCTION**

**Step 4 - (1 Leaf Open)**

Unlock and open the table mechanism and you will find 2 extension leaves.  
Place one of the extension into the table noting the positions of the locating tenons.  
Push the main leaves back together ensuring the pins locate into the holes.



**DT02**  
**( EXTENDING BUTTERFLY 2 LEAVES**  
**PARQUET TABLE )**  
**ASSEMBLY INSTRUCTION**

**Step 5 - (2 Leaf Open)**

Open the table mechanism and you will find 1 extension leaf.  
Place the extension into the table noting the positions of the locating tenons.  
Push the main leaves back together ensuring the pins locate into the holes.

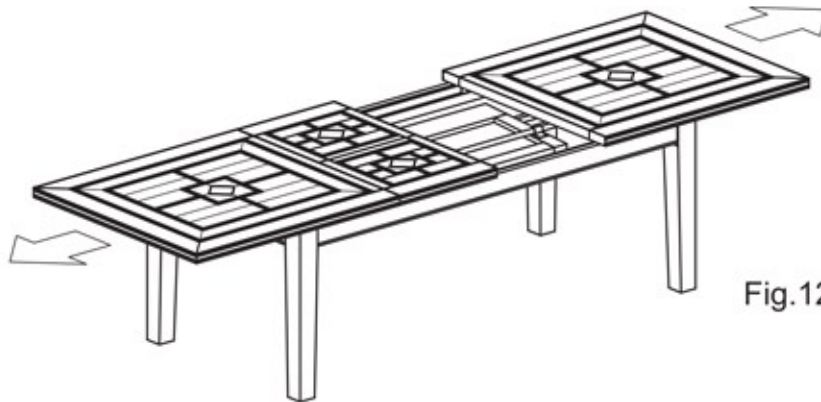


Fig.12

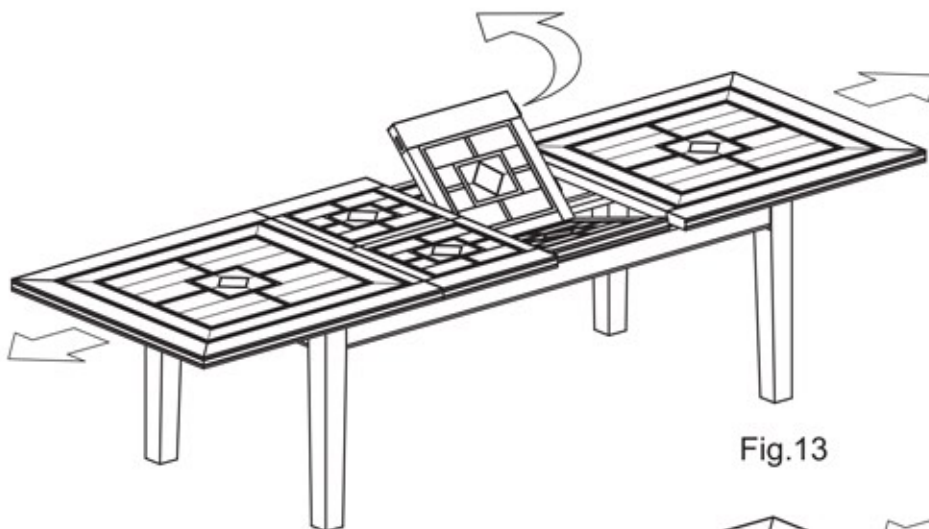


Fig.13

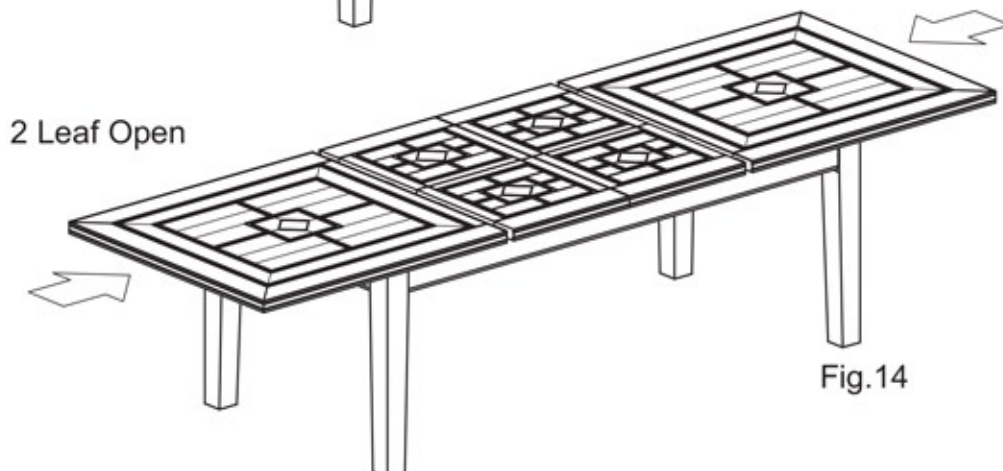


Fig.14