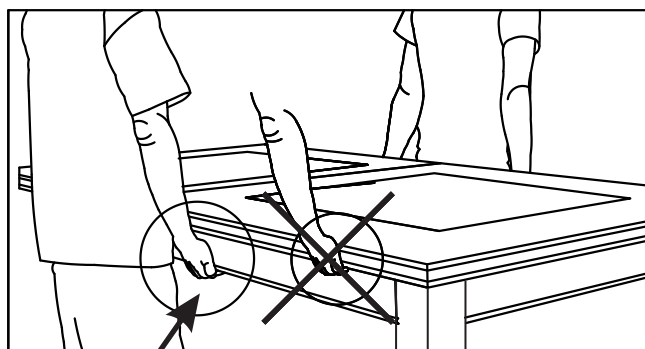
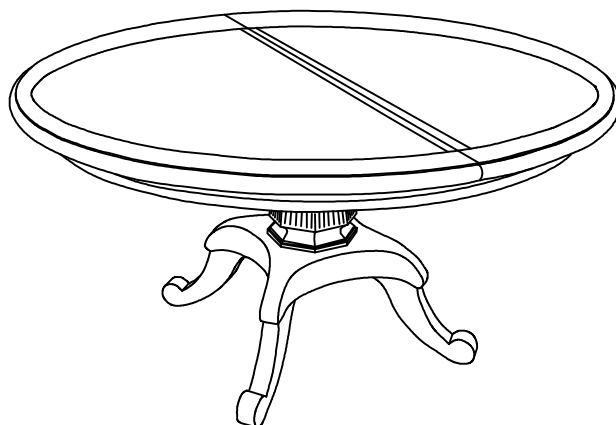


# Round Extending Butterfly Table Extending Inlay Table Assembly Instruction

---

*Thank you for buying our product*



**WARNING: MUST LIFT HERE**

---

## Step By Step Assembly Instructions

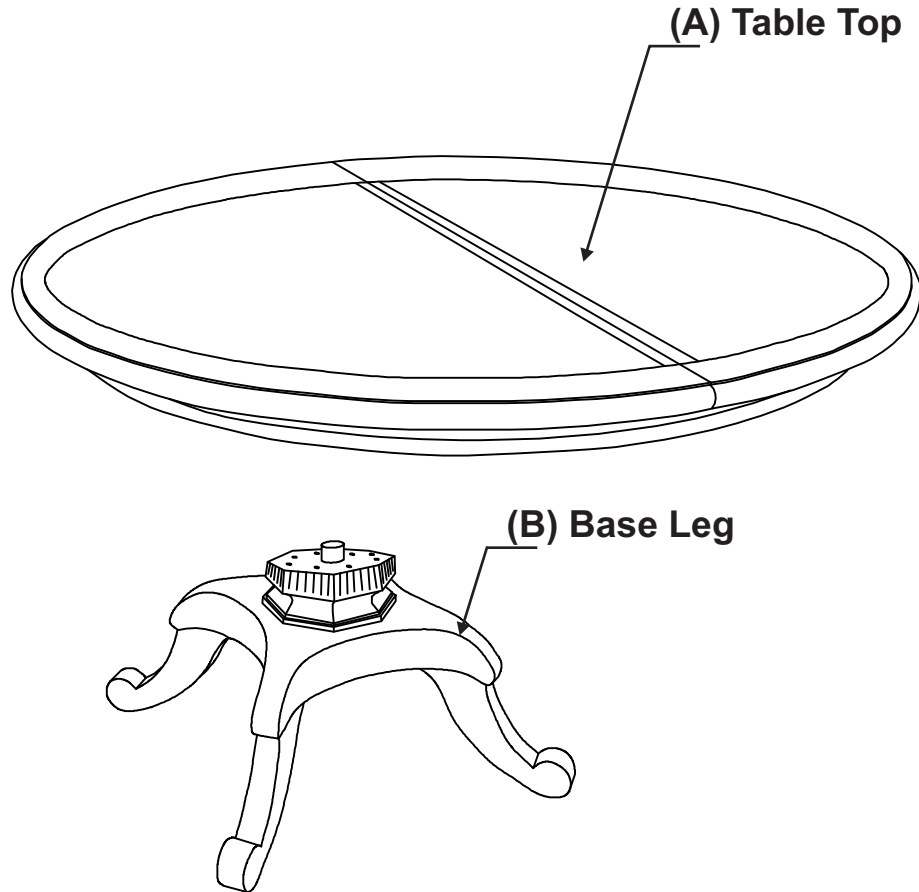
---

### PRE-ASSEMBLY PREPARATION

1. Please check the pack contents before attempting to assemble this product.  
A full checklist of components is given in this leaflet. If any components are missing, please contact the retailer from whom you bought this product.
2. This product is **VERY HEAVY**, It should be assembled as near as possible to the point of use. **TAKE CARE WHEN LIFTING** to avoid personal injury and ( or ) damage to the product.
3. This product takes approximately 60 minutes to assemble with 3 people.
4. The fitting pack contains **SMALL ITEMS** which should be :  
**"KEPT AWAY FROM YOUNG CHILDREN"**
5. Read this leaflet in full before commencing assembly.
6. You will require a 17 mm spanner (not supplied).

# Round Extending Butterfly Table Extending Inlay Table Assembly Instruction

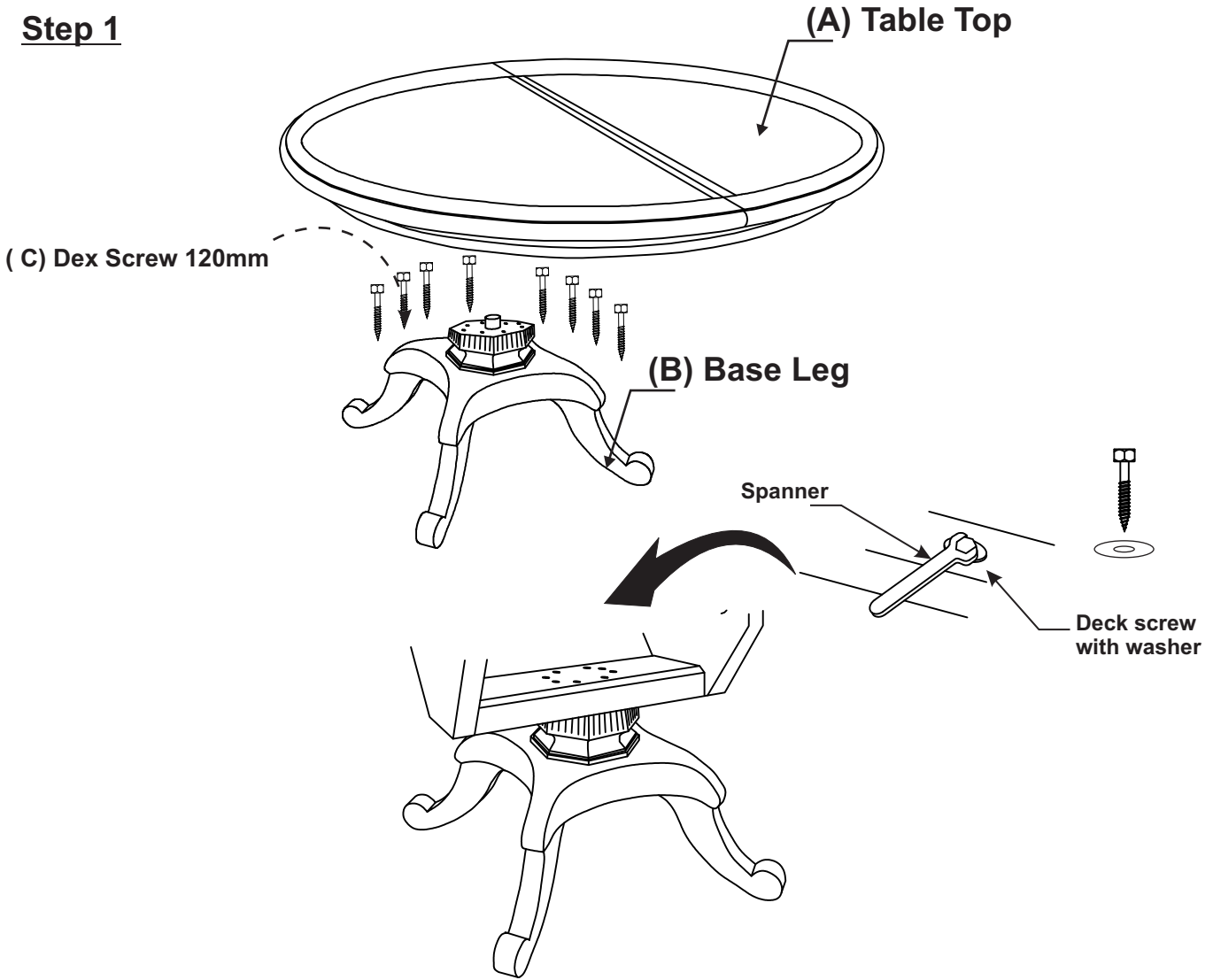
---



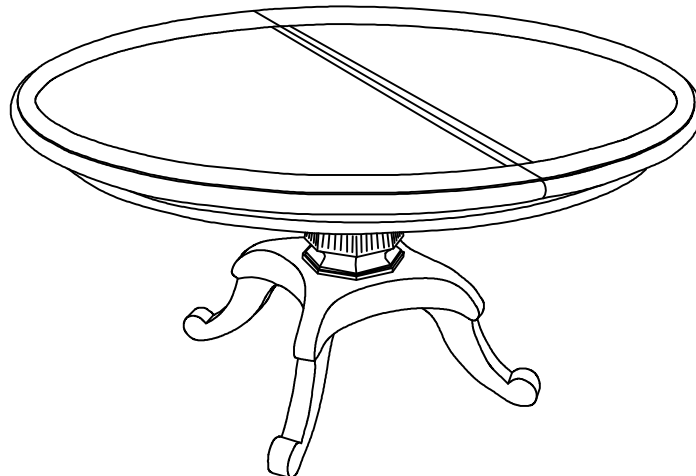
<b>HARDWARE IDENTIFICATION</b>		
ITEM	DESCRIPTION	Qty
A	Table Top	1
B	Base Leg	1
C	Dex Screw 120mm & Ring Washer	8

# Round Extending Butterfly Table Extending Inlay Table Assembly Instruction

## Step 1



**DONE!**



# Round Extending Butterfly Table Extending Inlay Table Assembly Instruction

---

## Step 3

