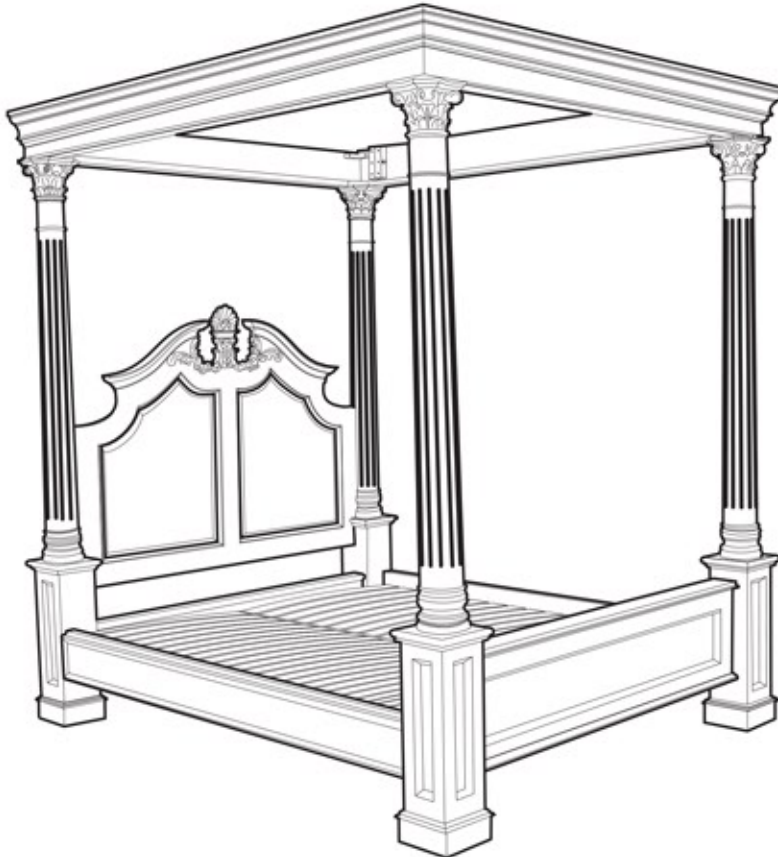


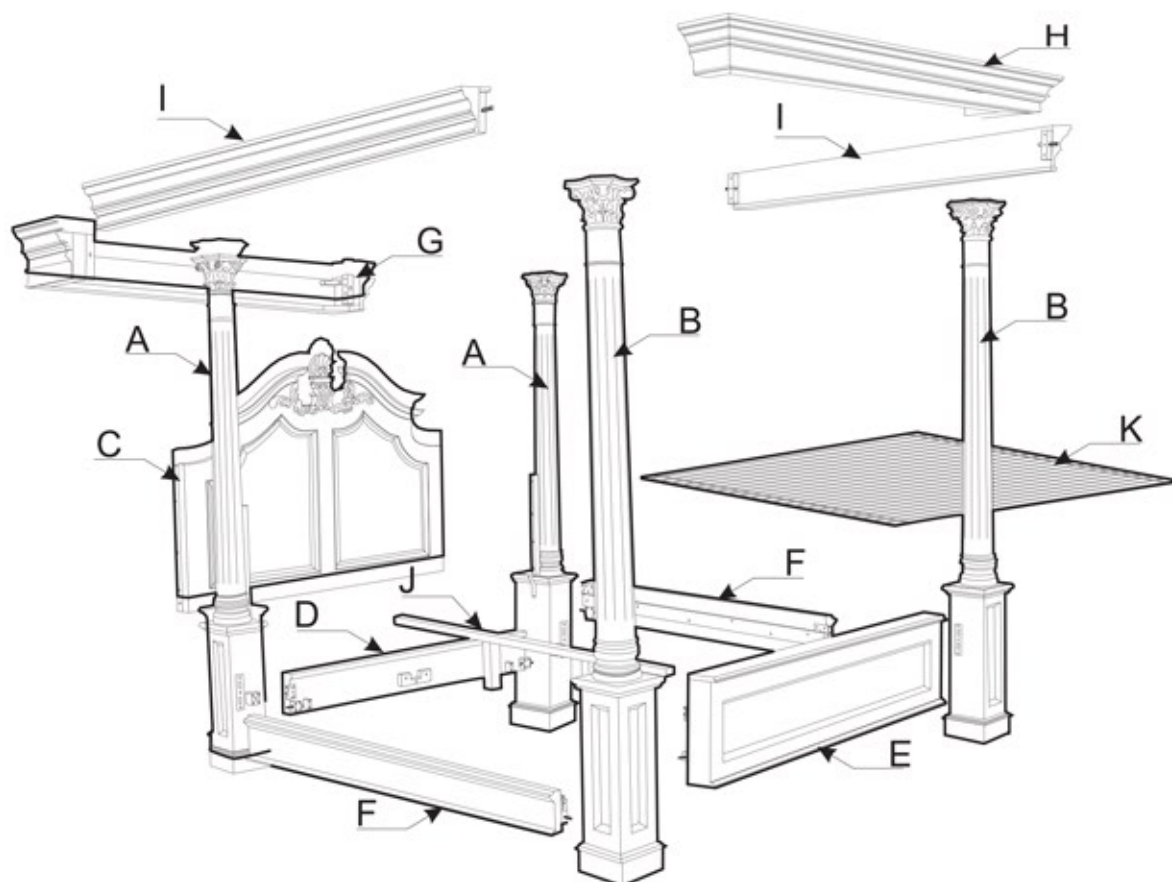
Thank you for buying our product




Step By Step Assembly Instructions

PRE-ASSEMBLY PREPARATION

1. Please check the pack contents before attempting to assemble this product.
A full checklist of components is given in this leaflet. If any components are missing, please contact the retailer from whom you bought this product.
2. This product is **Heavy**, it should be assembled as near as possible to the point of use.
TAKE CARE WHEN LIFTING to avoid personal injury and (or) damage to the product.
3. This product takes approximately **45 minutes** to assemble with 2 people.
4. This product already contains fitting which should be :
“ **KEPT AWAY FROM YOUNG CHILDREN** “
5. Read this leaflet in full before commencing assembly.

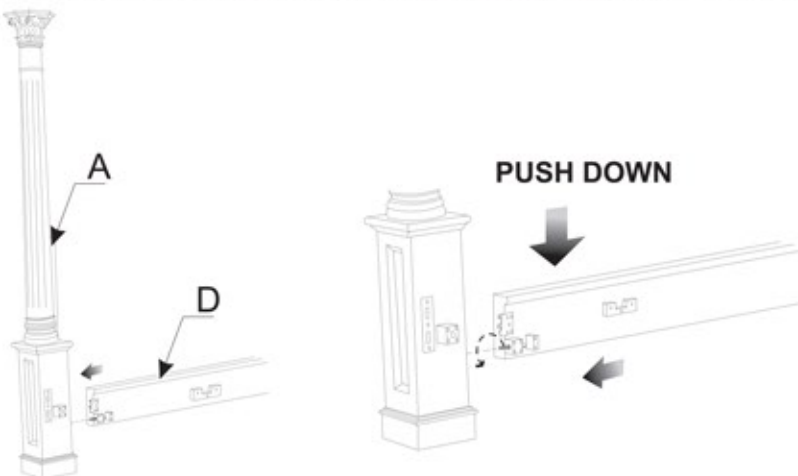


Panel and Fitting Identification

Item	Description	Qty
A	Pole Head Board (Left and Right)	2
B	Pole Foot Board (Left and Right)	2
C	Head Board Panel	1
D	Rail Support (Head Board)	1
E	Foot Board Panel	1
F	Side Rail	2
G	Cornice Canopy (Head Board)	1
H	Cornice Canopy (Foot Board)	1
I	Side Rail Canopy	2
J	Centre Rail	1
K	Slat	1
L	Allen Bolt 	14

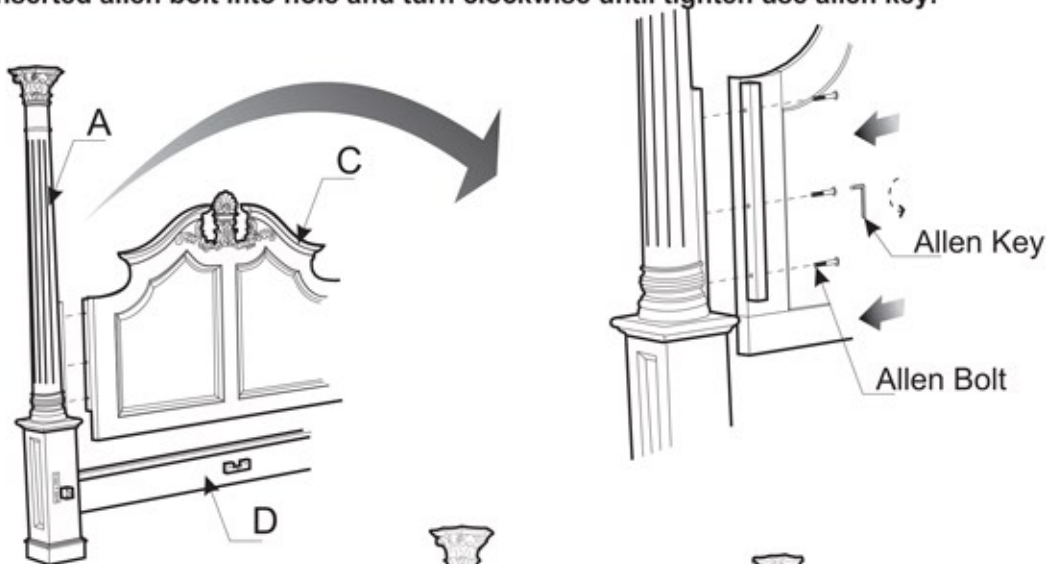
1. RAIL SUPPORT HEADBOARD AND POLE ASSEMBLY

1. The rail support headboard must be pushed down hard to get it level with pole. and Headboard must need to be adjusted as well.

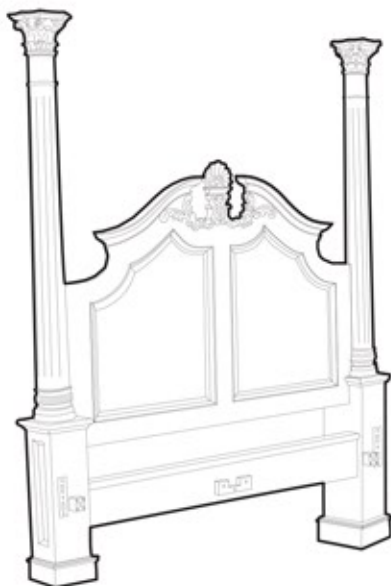


2. PANEL HEADBOARD AND POLE ASSEMBLY

1. Inserted allen bolt into hole and turn clockwise until tighten use allen key.

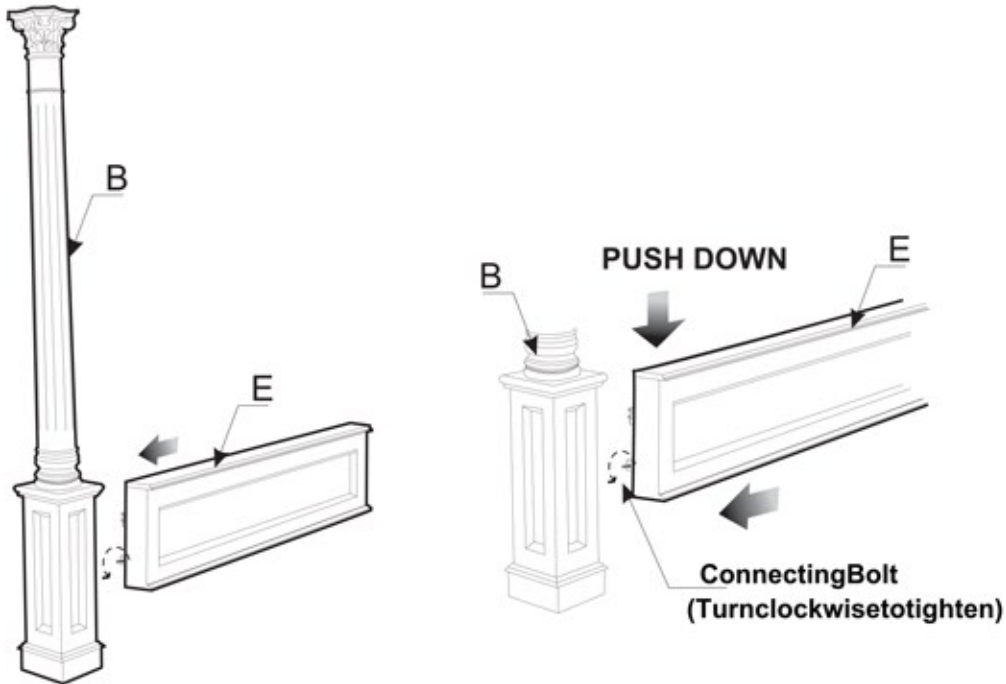


3. DONE !



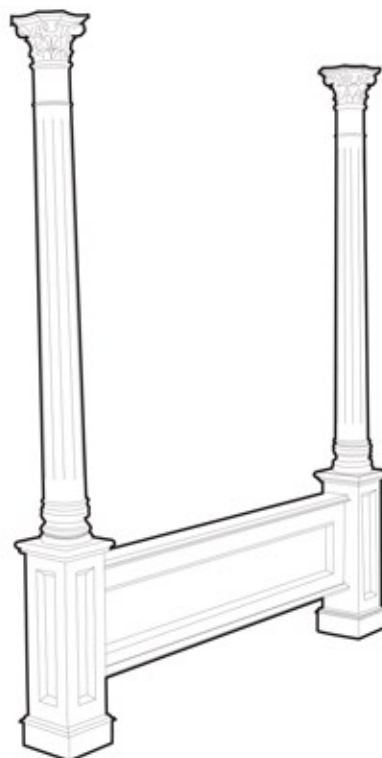
1. PANEL FOOTBOARD AND POLE ASSEMBLY

- 1.The Footboard must be pushed down hard to get it level with pole.and Footboard must need to be adjusted as well.
- 2.Connecting bolt Turn clockwise until tighten. And Footboard strongly



Once step 1 and step 2 are complete, footboard.
The bolt can be screwed well.

2. DONE !



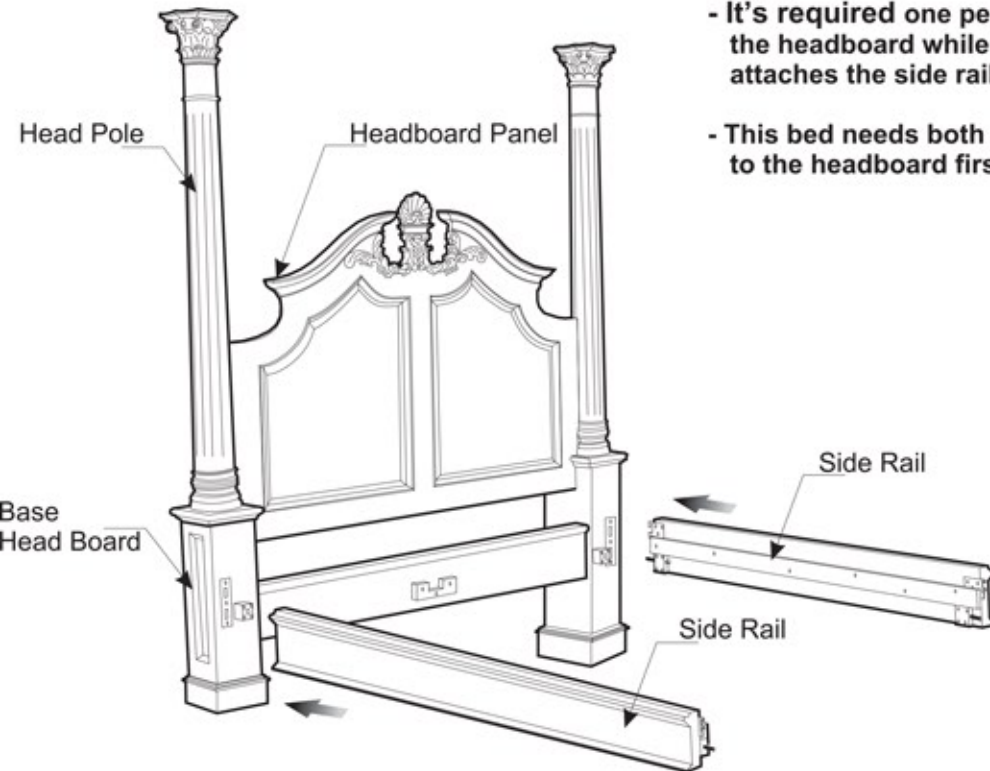
1. HEADBOARD AND SIDE RAIL ASSEMBLY

1. "Left / Right" marked on headboard must be matched with "Left/Right" marked on each side rail.

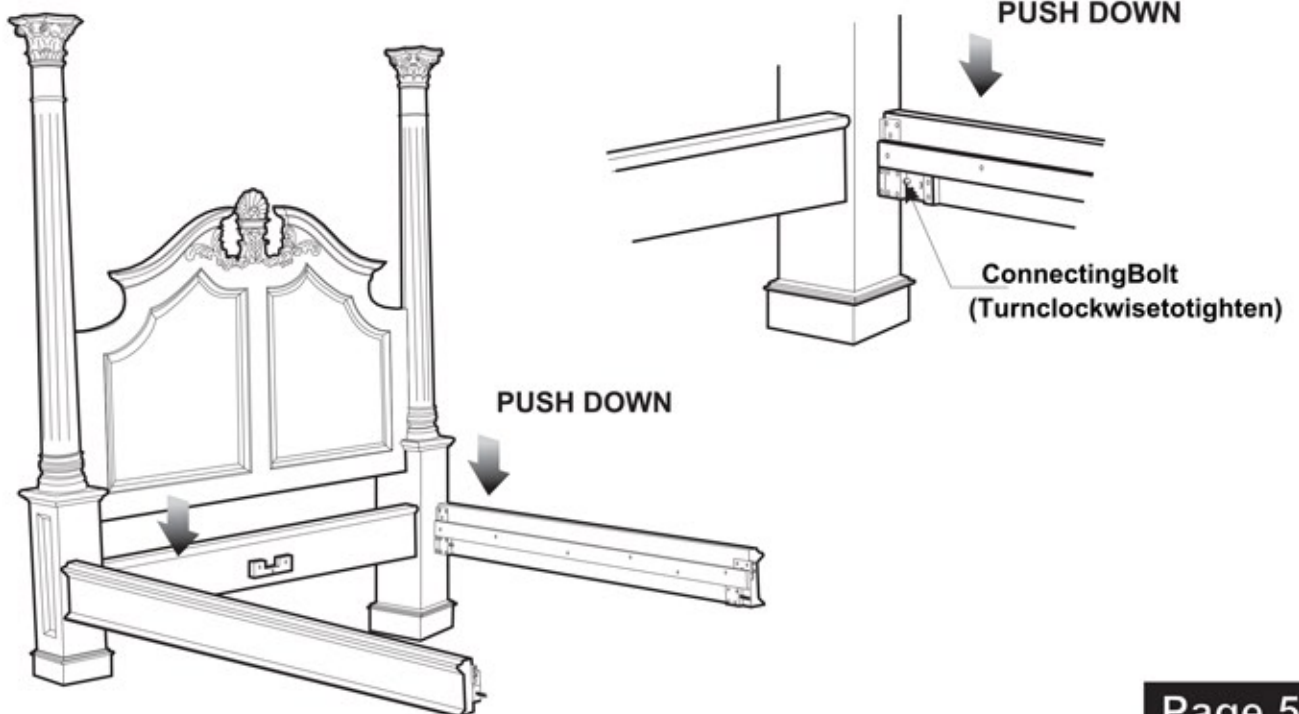
Step 1

Note :

- It's required one person to hold the headboard while the other attaches the side rail.
- This bed needs both side rails attaching to the headboard first.



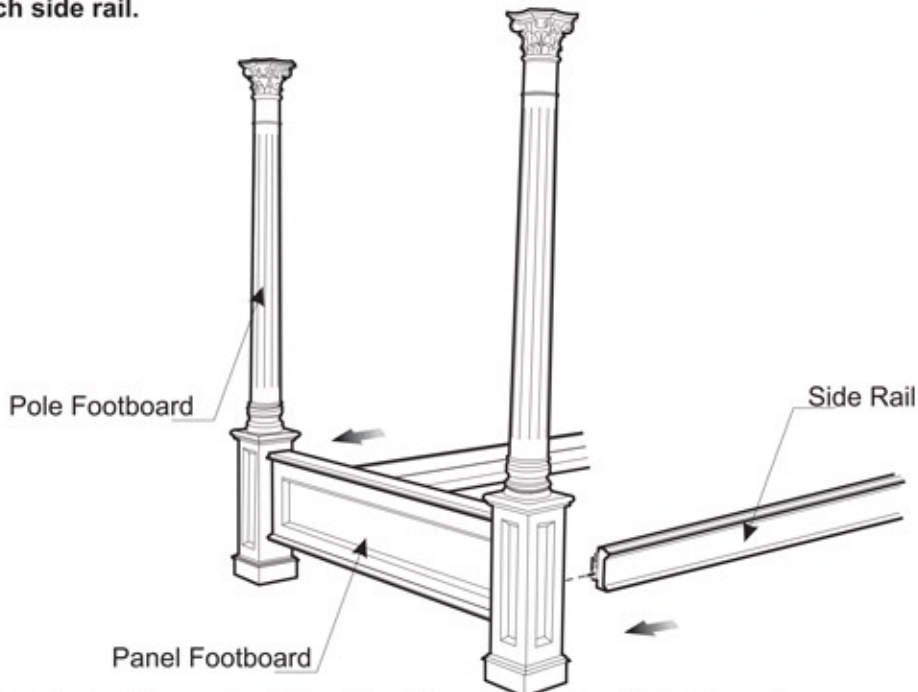
2. The side rail must be pushed down hard to get it level with headboard. Headboard may need to be adjusted as well.



2. FOOTBOARD AND SIDE RAIL ASSEMBLY

Step 2

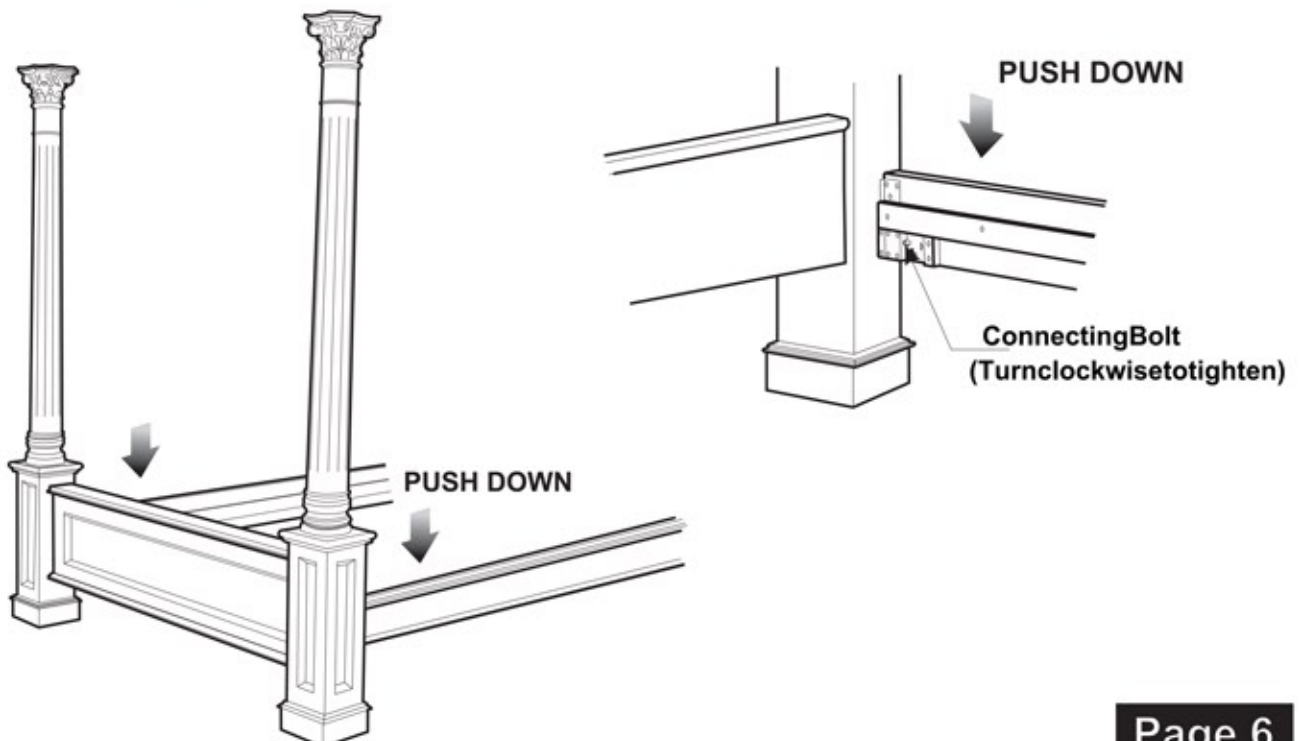
1. "Left / Right" marked on footboard must be matched with "Left/Right" marked on each side rail.



2. The side rail must be pushed down hard to get it level with footboard. Footboard may need to be adjusted as well.

Step 3

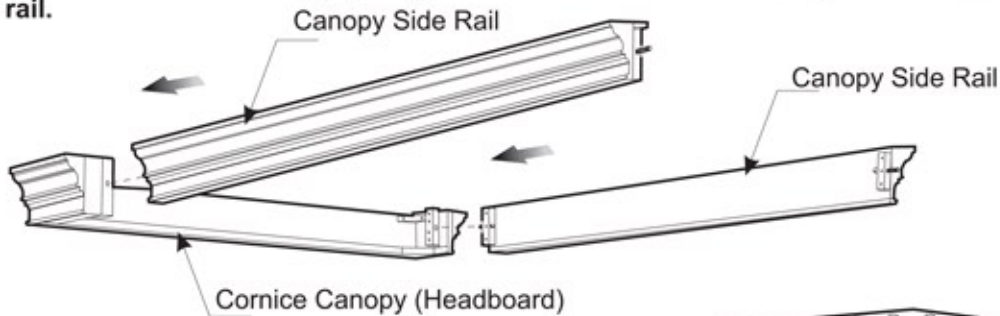
Once step 1 and step 2 are complete, side rail should be level with both the headboard and footboard. The bolt can be screwed well.



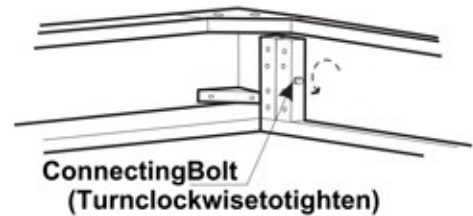
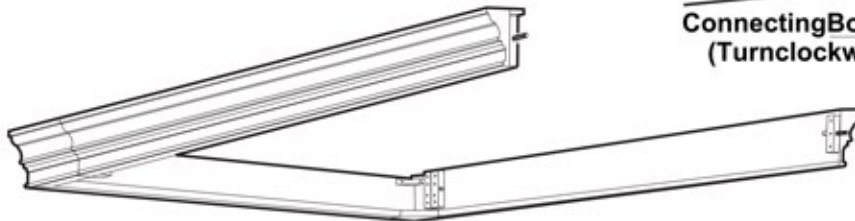
1. CORNICE CANOPY (HEAD) AND SIDE RAIL ASSEMBLY

1. "Left / Right" marked on cornice canopy (Head) must be matched with "Left/Right" marked on each side rail.

Step 1



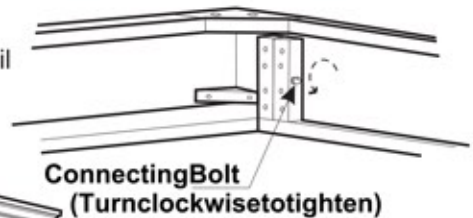
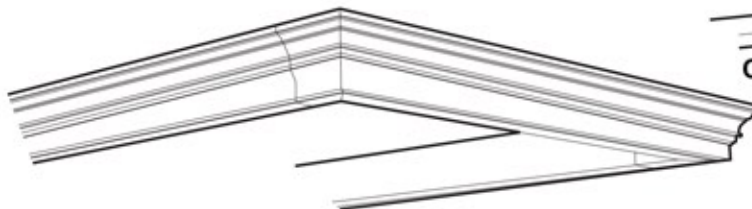
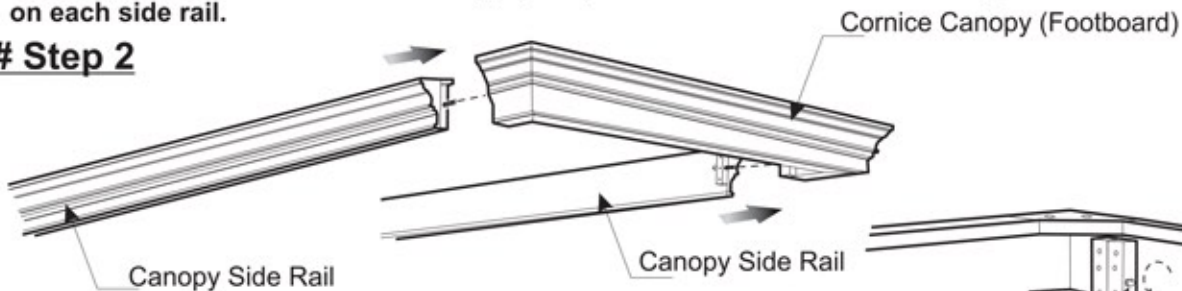
2. The side rail must be to get it level with cornice canopy. may need to be adjusted as well.



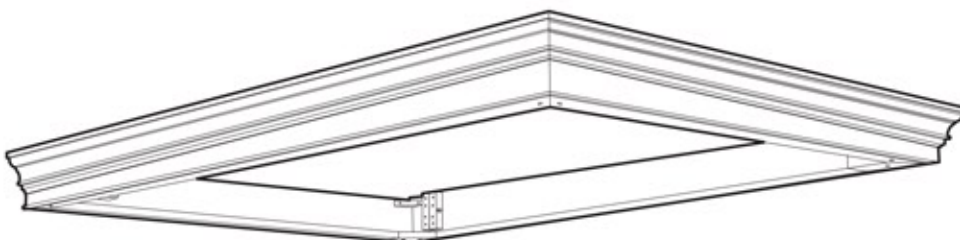
2. CORNICE CANOPY (FOOT) AND SIDE RAIL ASSEMBLY

1. "Left / Right" marked on cornice canopy (Foot) must be matched with "Left/Right" marked on each side rail.

Step 2

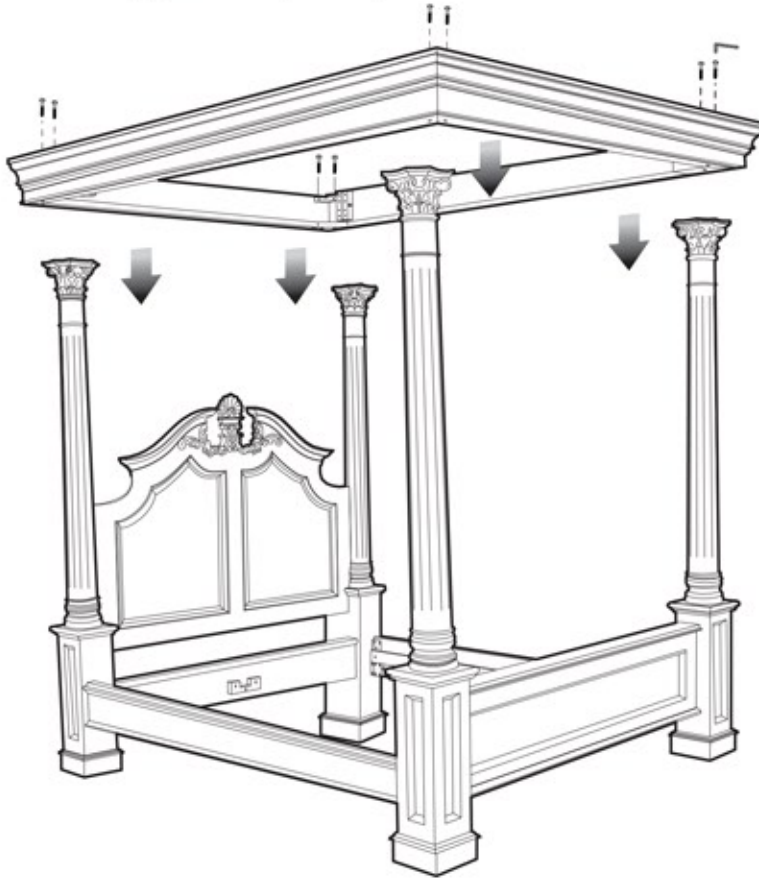


3. Cornice ready to fixed on top pole



1. CORNICE CANOPY AND SIDE RAIL CANOPY ASSEMBLY

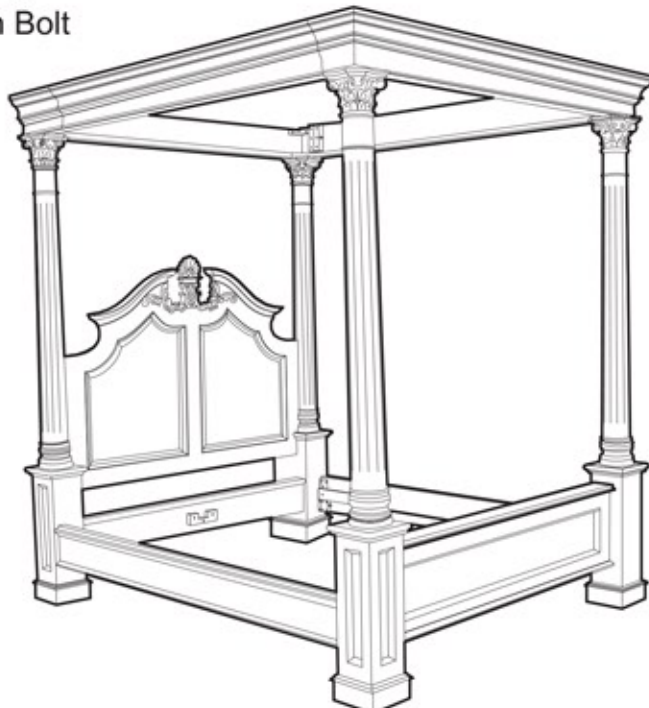
1. Match together cornice canopy on the pole top bed



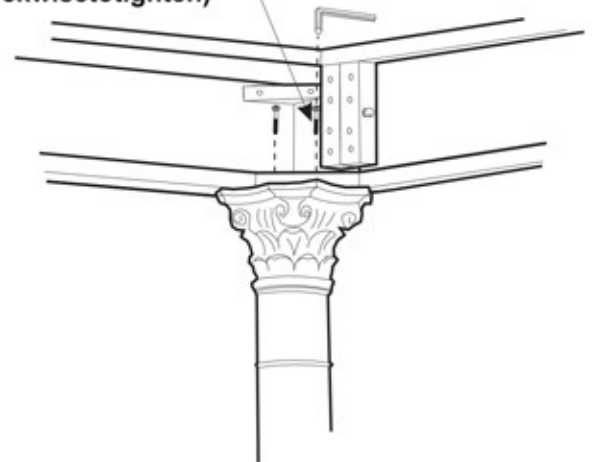
2. Fixed use allen key on top cornice into hole



Allen Bolt

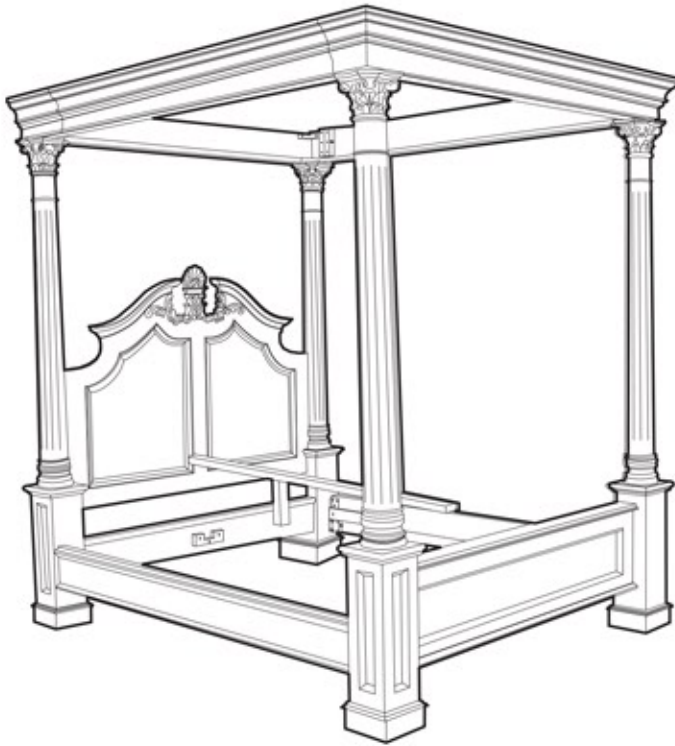


- Allen Bolt
(Turnclockwisetotighten)

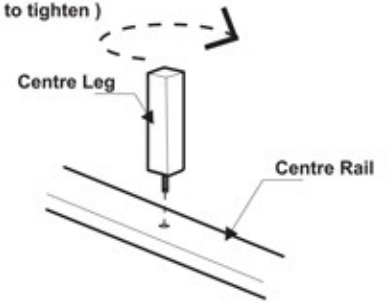


3. CENTRE RAIL ASSEMBLY

- Insert the Centre legs into Centre Rail



(Turn clockwise to tighten)



DONE !

