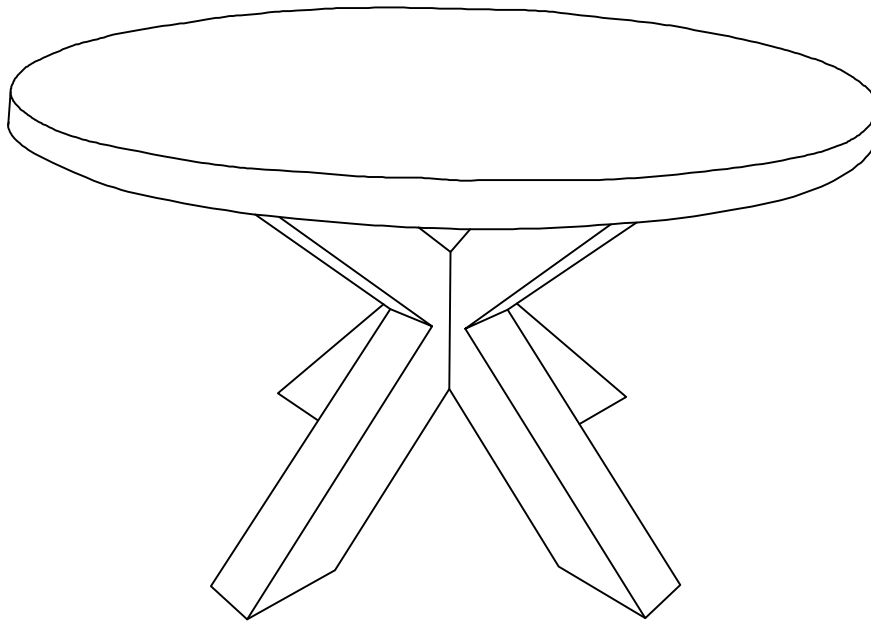


Round Dining Table dia 130 AN02 Assembly Instruction

Thank you for buying our product

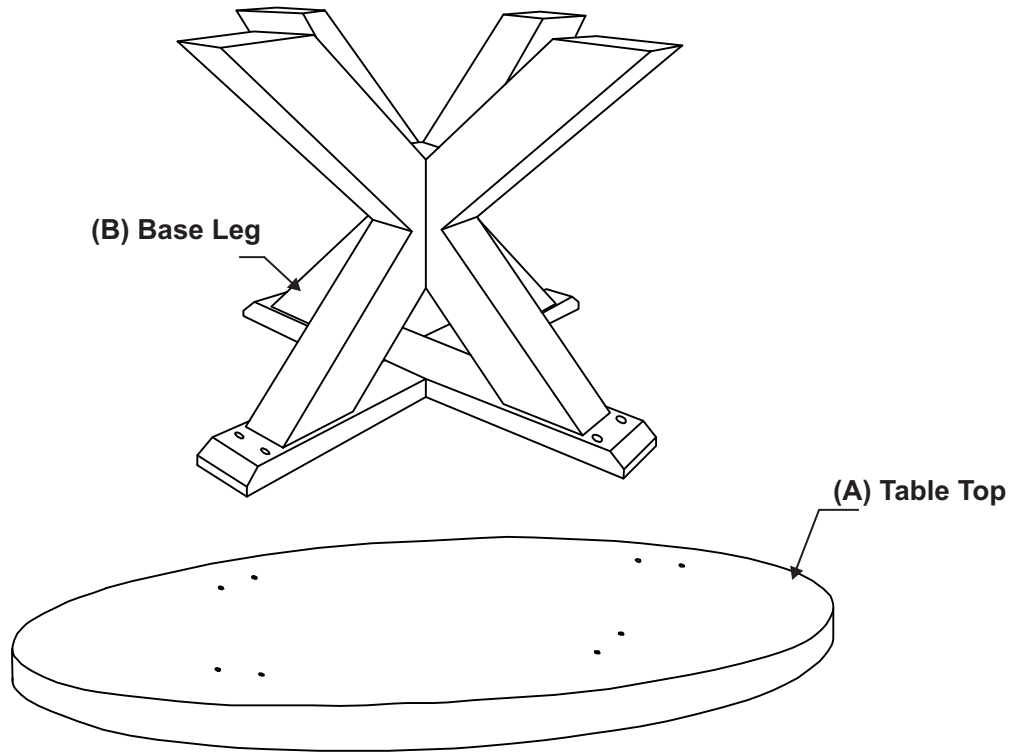


Step By Step Assembly Instructions

PRE-ASSEMBLY PREPARATION

1. Please check the pack contents before attempting to assemble this product.
A full checklist of components is given in this leaflet. If any components are missing, please contact the retailer from whom you bought this product.
2. This product is **VERY HEAVY**, It should be assembled as near as possible to the point of use. **TAKE CARE WHEN LIFTING** to avoid personal injury and (or) damage to the product.
3. This product takes approximately 60 minutes to assemble with 4 people.
4. The fitting pack contains **SMALL ITEMS** which should be :
“**KEPT AWAY FROM YOUNG CHILDREN**“
5. Read this leaflet in full before commencing assembly.
6. You will require a 12 and 13 mm spanner (not supplied).

Round Dining Table dia 130 AN02 Assembly Instruction



HARDWARE IDENTIFICATION

ITEM	DESCRIPTION	Qty
A	Table Top	1
B	Base Leg	1
C	Deck screw M6 x 75mm & Ring Washer	8

Round Dining Table dia 130 AN02 Assembly Instruction

