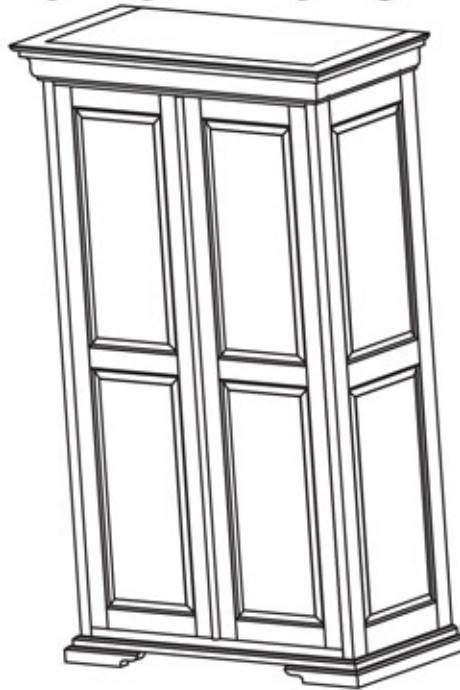


Thank you for buying our product

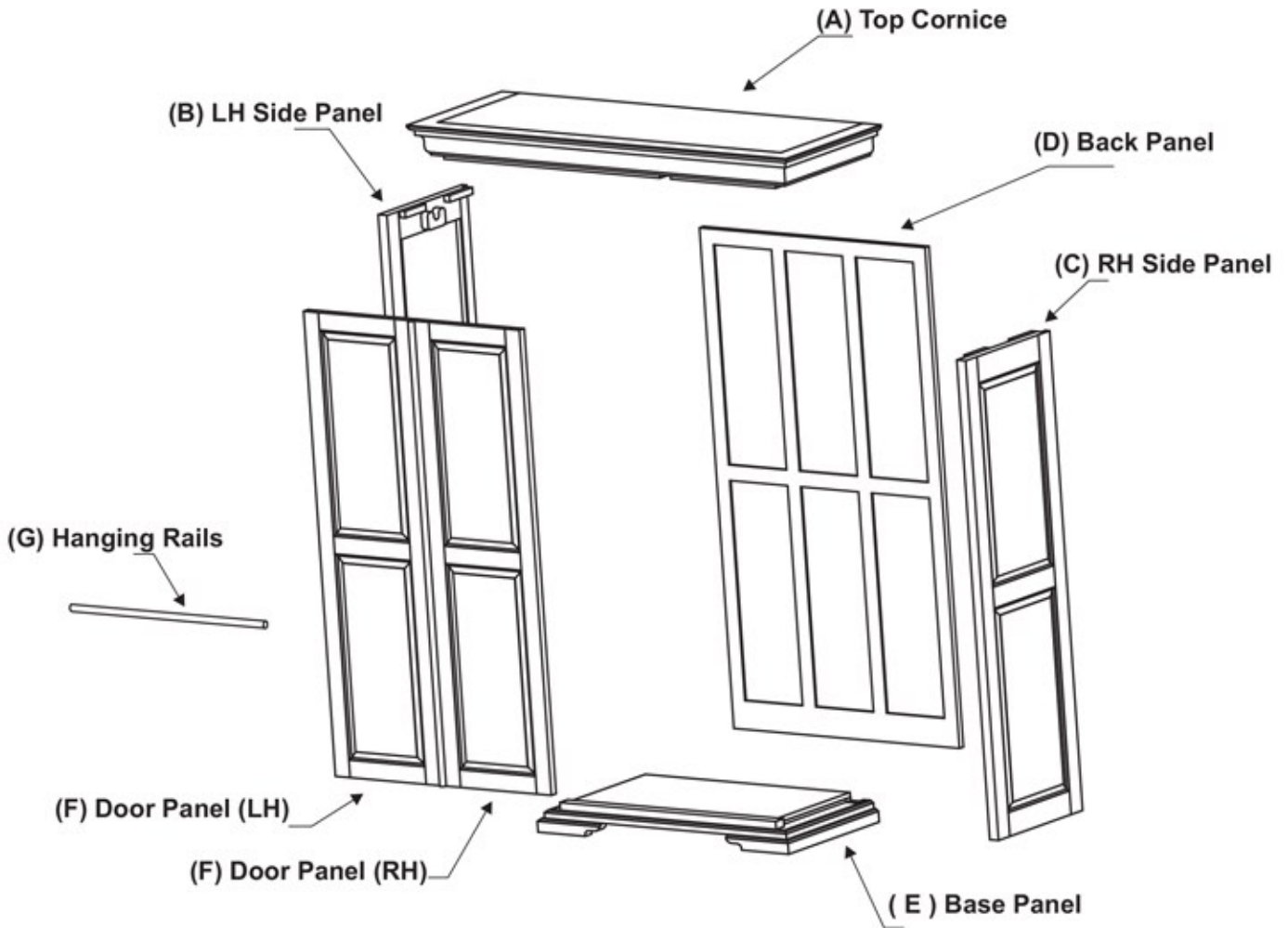


Step By Step Assembly Instructions

PRE-ASSEMBLY PREPARATION



1. Please check the pack contents before attempting this product.
A full checklist of component is given in this leaflet. If any component are missing, please contact the retailer from whom you bought this product.
2. This product is **heavy**, it should be assembled as near as possible to the point of use.
TAKE CARE WITH LIFTING to avoid personal injury and (or) damage to the product.
3. This product takes approximately 5 minutes to assemble with 2 people.
4. The fitting pack contains **small items** which should be :
KEPT AWAY FROM YOUNG CHILDREN.
5. Read this leaflet in full before commencing assembly.
6. You will require a crosshead screwdriver and Allen key (provided) to assemble this product.
7. **WE RECOMMEND** that you lay a protective cloth on your carpet during assembly, **to prevent marking.**

A324 (2 DOORS ALL HANGING WARDROBE) ASSEMBLY INSTRUCTION



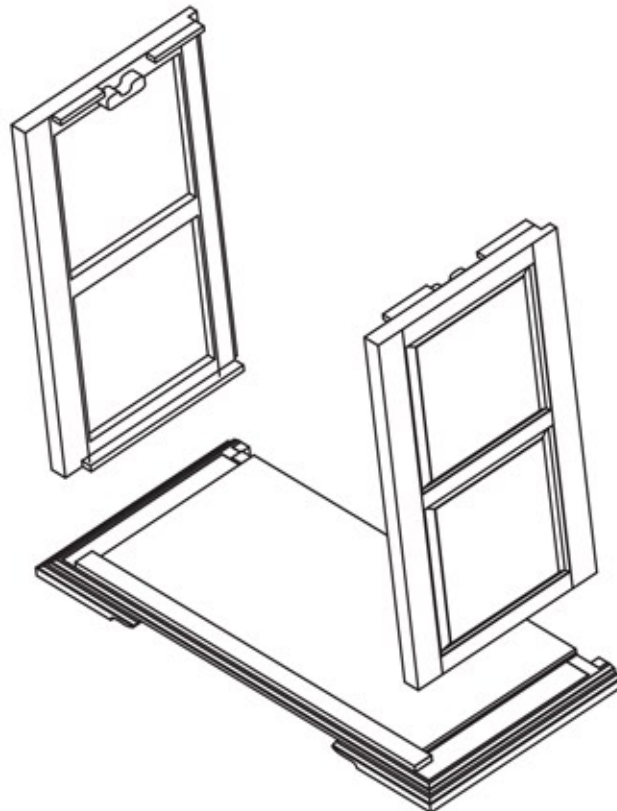
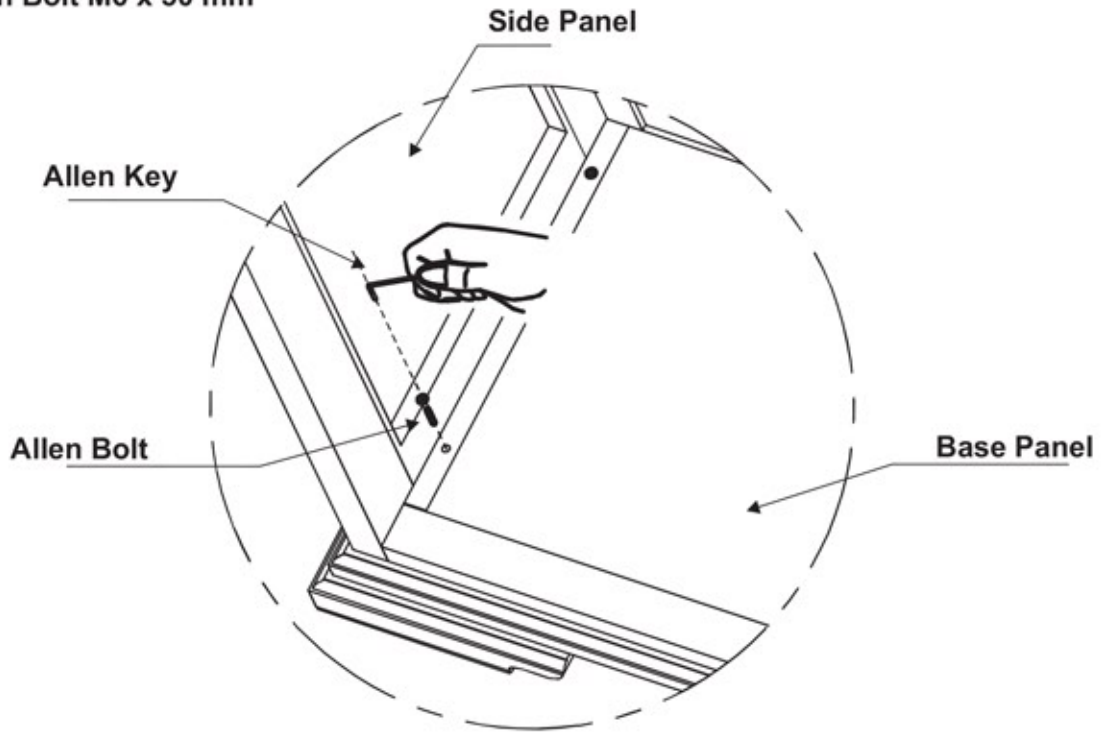
Panel and Fitting Identification

Item	Description	Qty
A	Top Cornice	1
B	LH Side Panel	1
C	RH Side Panel	1
D	Back Panel	1
E	Base Panel	1
F	Door Panel (LH & RH)	2
G	Hanging Rails	1

Item	Description	Qty
H	Allen Bolt 	12
I	Screw 	12
J	Allen Key	1

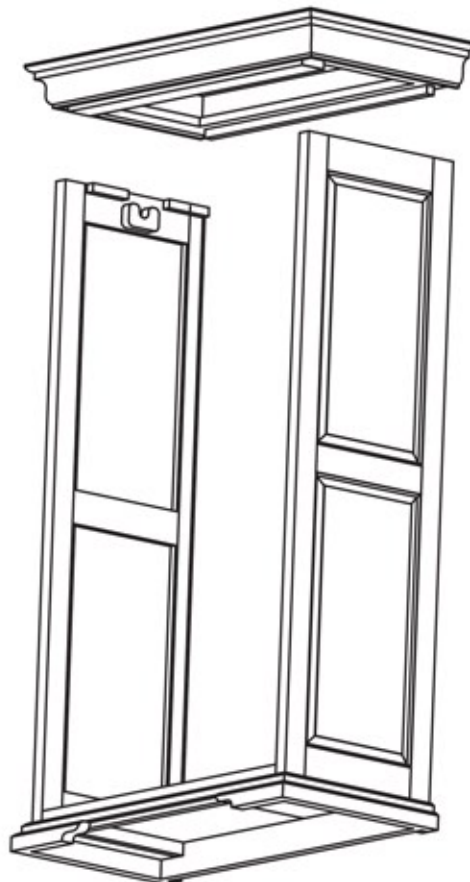
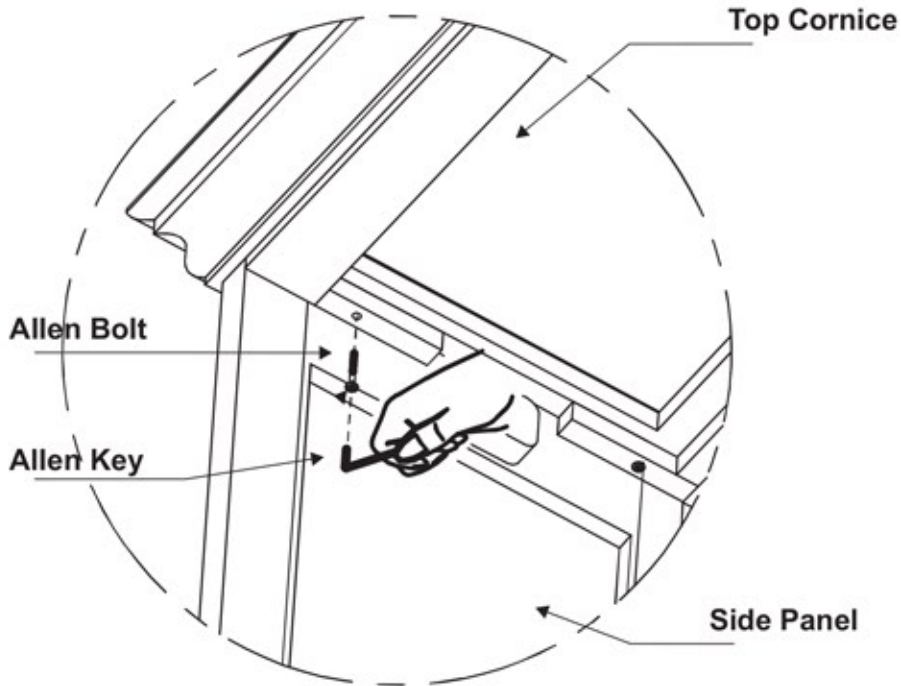
Step 1. Side Panel & Base Panel Assembly

Fitting Allen Bolt M6 x 50 mm



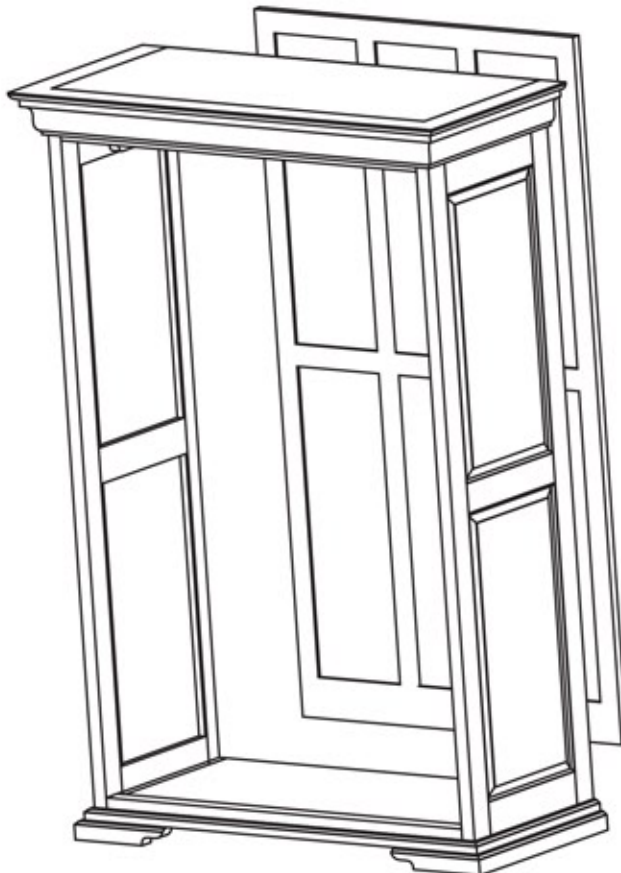
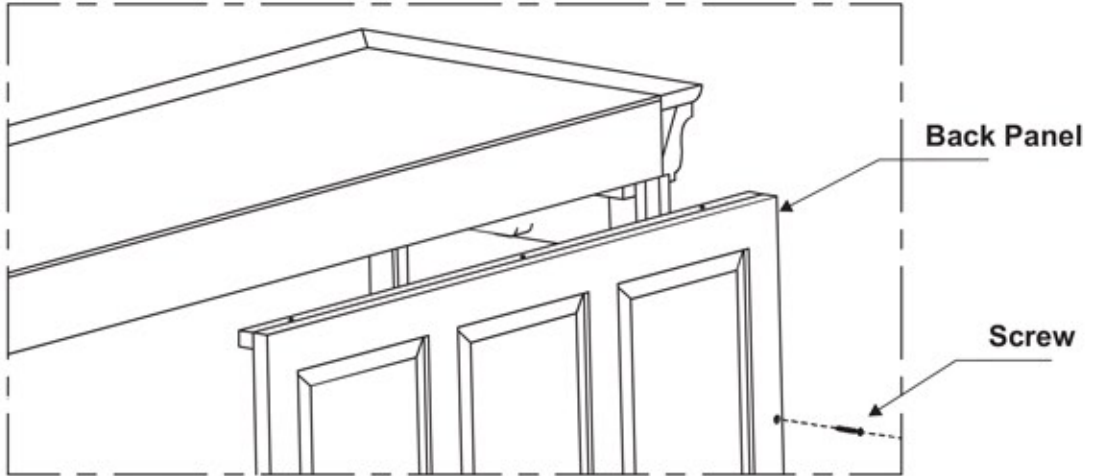
2. Top Cornice Assembly

Fitting Allen Bolt M6 x 50 mm

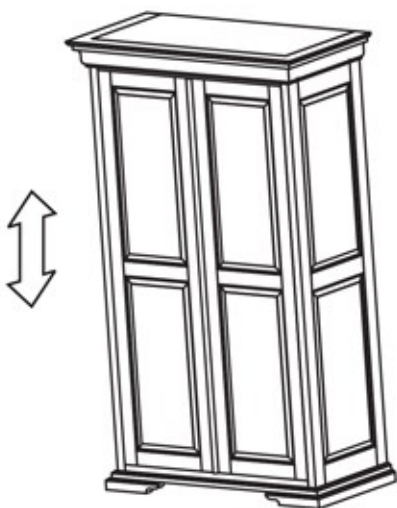
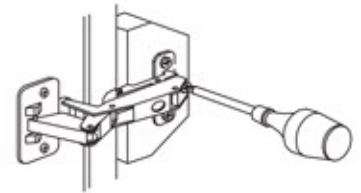
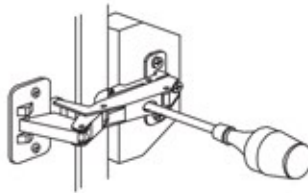
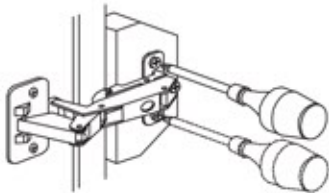
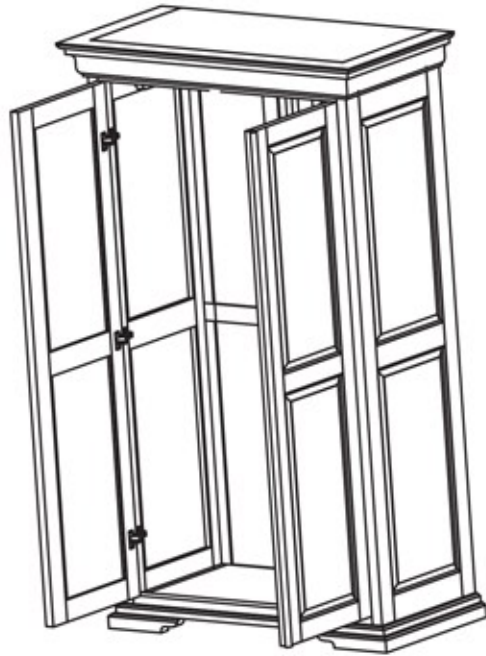


3. Back Panel Assembly

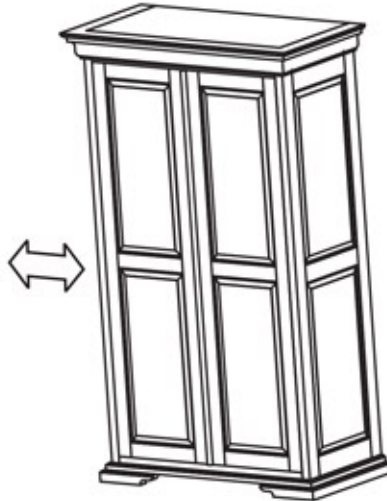
Fitting screw



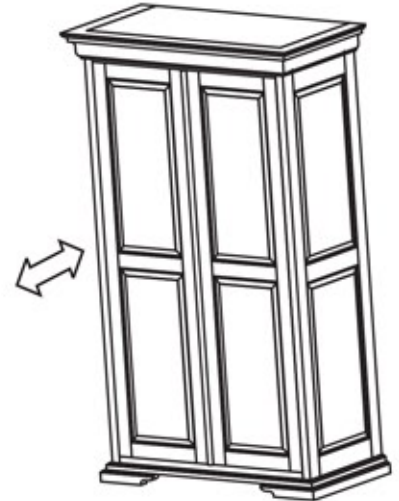
Step 4. Door Assembly



Vertical Adjustable



Horizontal Adjustable



Lateral Adjustable

Step 5. Locate the Hanging Rails (G) into the support

